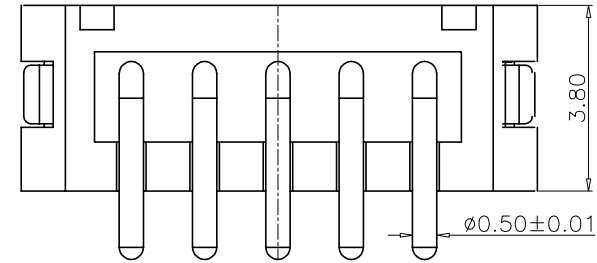
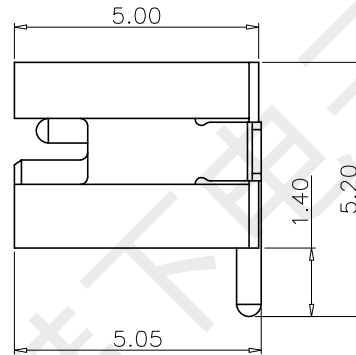
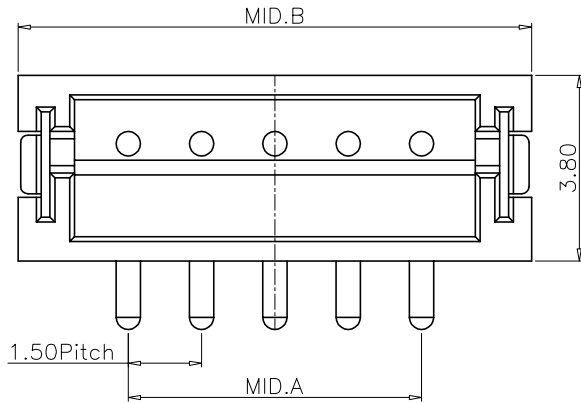
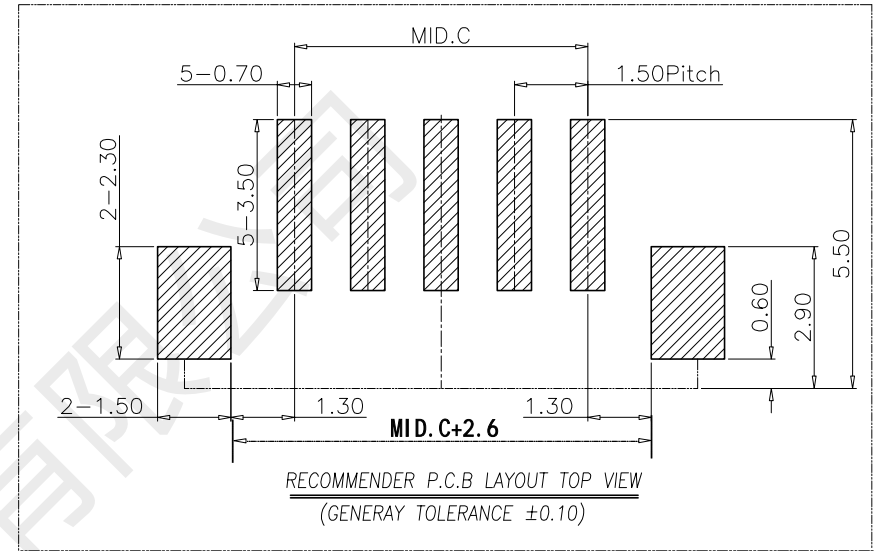
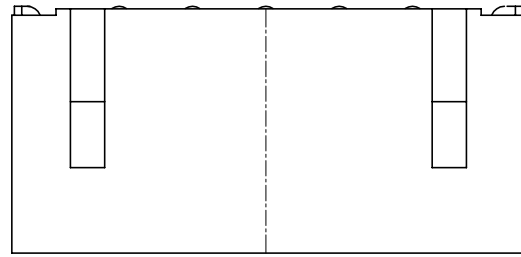


Rev No.	Description of Revision	Date	Name	Approved	ECN No.



PIN数	MID. A	MID. B	MID. C
2P	1.50	6.00	1.50
3P	3.00	7.50	3.00
4P	4.50	9.00	4.50
5P	6.00	10.50	6.00

③	圆针	黄铜H65	镀亮锡	5PCS
②	固定片	黄铜H65	镀亮锡	2PCS
①	塑胶主体	LCP	本色	1PCS
序号	配件名称	材质	电镀颜色	数量

Specifcatons:

- 1.Rated Voltage :125V AC/DC
- 2.Rated Current : 2A AC,DC
- 3.Withstand Voltage :200V AC/minute
- 4.Contact Resistance:50mΩ (MAX.)
- 5.Insulation Resistance:100mΩ (MIN.)
- 6.Storage Temperature Range:-40°C~+85°C;
- 7.Operation Temperature Range:-25°C~+70°C;

UNLESS OTHERWISE SPECIFIED TOLERANCES



DECIMALS:	ANGLES	TITLE:
X. ±0.15	X' ±2'	HX-ZH1.5-2ALB PCB wire to board connector
X.X ±0.10	X.X' ±1'	Drwn: 黄彬 PART NO: WF005-LT15002-02
X.XX ±0.05	X.XX' ±0.5'	Checked: 张伟 SCALE: 1:8 UNIT: mm PROJ: [Symbol]
X.XXX ±0.03		Approved: 罗小春 SIZE: A4 SHEET: 1 OF 1 REV: A

CUSTOMER COPY