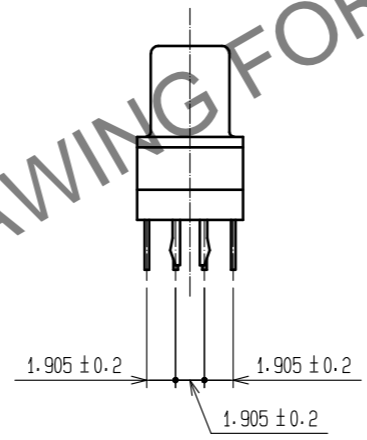
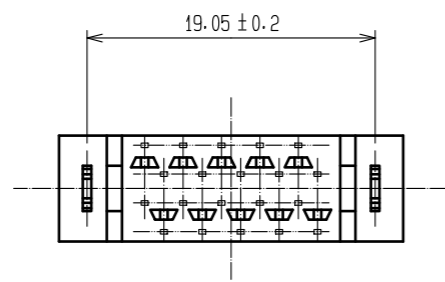
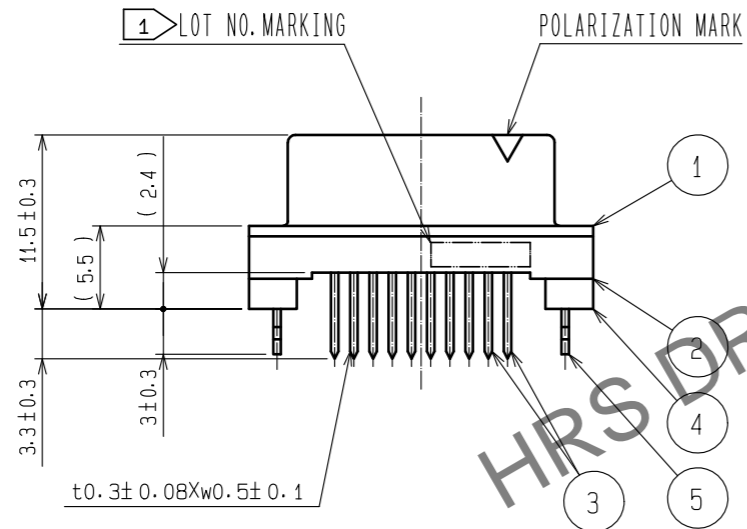
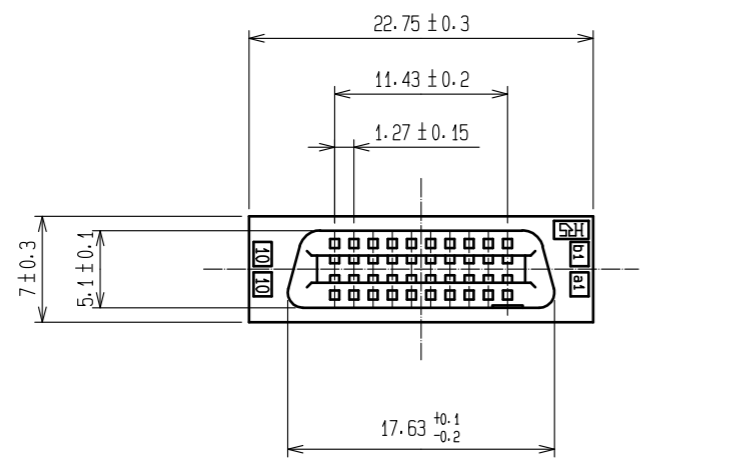
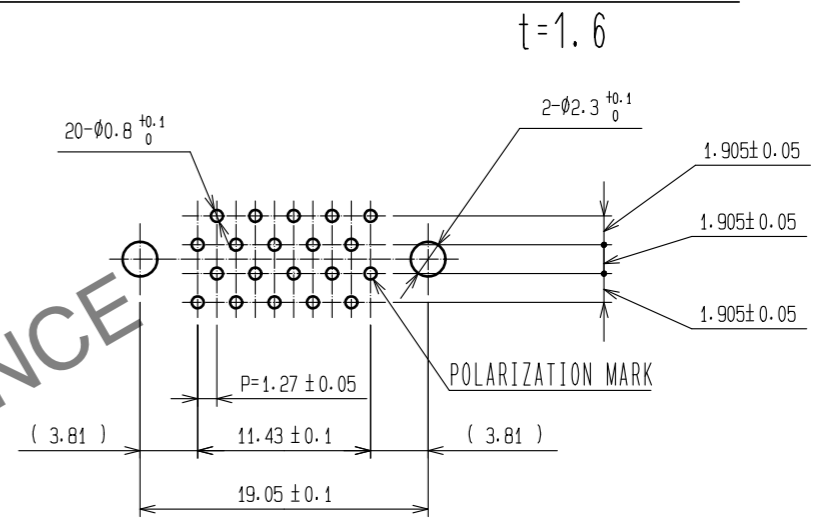


Jul.1.2024 Copyright 2024 HIROSE ELECTRIC CO., LTD. All Rights Reserved.
 In case of consideration for using Automotive equipment / device which demand high reliability, kindly contact our sales window correspondents.



RECOMMENDED PC BOARD HOLE PATTERN (MOUNTING SIDE)



- NOTES
1. LOT NO. MARKING SIDE SHALL BE OPTIONAL.
 2. THE DIMENSIONS IN PARENTHESES ARE FOR REFERENCE.

5	PHOSPHOR BRONZE	TIN-PLATING	3	PHOSPHOR BRONZE	CONTACT AREA : GOLD 0.2µm min. DIP AREA : TIN-PLATING 2µm min. UNDER PLATING : NICKEL 2µm min.
1, 2, 4	POLYAMIDE	BLACK ▲			
NO.	MATERIAL	FINISH . REMARKS	NO.	MATERIAL	FINISH . REMARKS
UNITS mm	⊕	SCALE 2 : 1	COUNT 1	DESCRIPTION OF REVISIONS DIS-F-00015308	DESIGNED YU. NAKADA
HIROSE ELECTRIC CO., LTD.		APPROVED : HS. OKAWA 20070822	DRAWING NO. EDC-083219-71-21		
		CHECED : HS. OZAWA 20070822	PART NO. FX2C2-20S-1.27DSAL(71)		
		DESIGNED : KY. NAKAMURA 20070822	CODE NO. CL0572-2471-2-71		
		DRAWN : TP. MATSUMOTO 20070809	1/1		
DATE	20220908	CHECKED	HT. YAMAGUCHI		