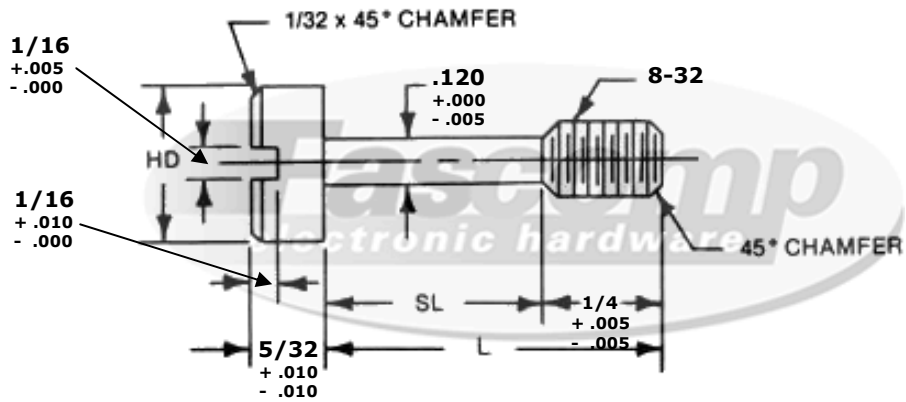


# Captive Screw Type 6 8-32 Thread



**Create a part number:**

| Length | Material | Finish |
|--------|----------|--------|
| FCXXXX | XX       | XX     |
|        |          |        |

| Captive Screws - 8-32 Thread |        |            |                        |                        |
|------------------------------|--------|------------|------------------------|------------------------|
|                              | FCXXXX | Length (L) | H.D.<br>+.005<br>-.005 | S.L.<br>+.005<br>-.000 |
| ✓                            | FC7088 | 21/32      | 5/16                   | 13/32                  |
|                              | FC7089 | 23/32      | 5/16                   | 15/32                  |
|                              | FC7090 | 25/32      | 5/16                   | 17/32                  |

| Material             |    |                 |
|----------------------|----|-----------------|
| ✓ Material Code (XX) |    |                 |
|                      | B  | Brass           |
|                      | S  | Steel           |
|                      | SS | Stainless Steel |

| ✓ Compatible Finish (XX) |          |                                       |
|--------------------------|----------|---------------------------------------|
|                          | B, S, SS | 0 - Plain                             |
|                          | B, S     | 5 - Nickel Plate (QQ-N-290)           |
|                          | B, S     | 12 - Zinc Clear (ASTM-B-633)          |
|                          | B, S     | 16 - Electro Tin (MIL-T-10727 TYPE 1) |
|                          | SS       | 20 - Passivation (MIL-F-14072D)       |
|                          | B, S, SS | 26 - Black Oxide                      |
|                          | B, S     | 28 - Zinc Yellow (ASTM-B-633)         |

**Tolerances**  
**Unless otherwise Specified**  
 .xxx +/- .005  
 .xx +/- .010  
 Angular +/- 1 Degree  
 Linear +/- .005  
**Break all sharp edges**

Source Control Drawing:  
 To be produced by  
 Fascomp Electronic Hardware



Fascomp Electronic Hardware  
 7814 Kingspointe Pkwy  
 Orlando, FL 32819  
 www.fascomp.com  
 Tel: (407) 226-2112  
 Fax: (407) 226-3370

This document is the property of Fascomp Inc. and shall not be reproduced, distributed, or used as a basis for manufacturing without written permission from Fascomp Inc.

# Mouser Electronics

Authorized Distributor

Click to View Pricing, Inventory, Delivery & Lifecycle Information:

[Fascomp:](#)

[CFC7090-SS](#) [CFC7089-SS](#) [CFC7088-SS](#)