

深圳市维拓精电科技有限公司

WTL International Limited

APPROVAL SHEET

DESCRIPTION :	3.2*2.5mm 4 Pads SMD TCXO			
NOMINAL FREQ.:	26.00000MHz			
WTL P/N:	WTL3C51005SH			
VERSION:	1			
DATE:	2024.06.26			
Customer	Customer P/N			
	/			
Customer Signature	WTL			
	Approved by: <i>Xo Xo Lee</i>			
	Checked by: <i>Susan He</i>			
	Issued by: <i>Shengbiao</i>			
REVISION HISTORY				
Revised Page	Revision Content	Date	Ref. No.	Reviser



CONTENT CATALOG

APPROVAL SHEET	P. 1
CONTENT CATALOG	P. 2
ELECTRICAL SPECIFICATIONS	P. 3-4
DIMENSIONS	P. 5
PACKING SPECIFICATIONS	P. 6
SUGGESTED REFLOW PROFILE	P. 7
WTL PART NUMBER SYSTEM	P. 7

Attachment(s):

- 1.Product Specification Sheet
- 2.Electrical Testing Report
- 3.Reliability Report
- 4.ICP Test Report (SGS)

1、ELECTRICAL SPECIFICATIONS

Parameter		Value	Conditions
Frequency		26.000000MHz	
Supply Voltage(Vcc)		+2.8V±5%	
Output Load		10kohm//10pF±10%	
Output Level		0.8Vp-p min.	Clipped sine wave (DC-coupled)
Current		1.5mA max.	10koms//10pF±10% each
Duty Cycle		50±10%	
Operating Temperature Range		-30~+85℃	
Storage Temperature Range		-40~+85℃	
Initial Frequency Tolerance		±1.0ppm max.	After 2times reflow
Frequency Stability	vs. Temperature (-30 ~ +85℃)	±0.5ppm max.	Referenced to +25℃ frequency
	vs. Supply Voltage	±0.2ppm max.	Vcc±5%
	vs. Load	±0.2ppm max.	10koms//10pF±10% each
	vs. Aging	±1.0ppm max.	1 st Year
Startup Time		2ms max.	more than 90% of final amplitude
Phase Noise		-89dBc/Hz typ. -115dBc/Hz typ. -137dBc/Hz typ. -145dBc/Hz typ. -144dBc/Hz typ.	10Hz offset 100Hz offset 1KHz offset 10KHz offset 100KHz offset

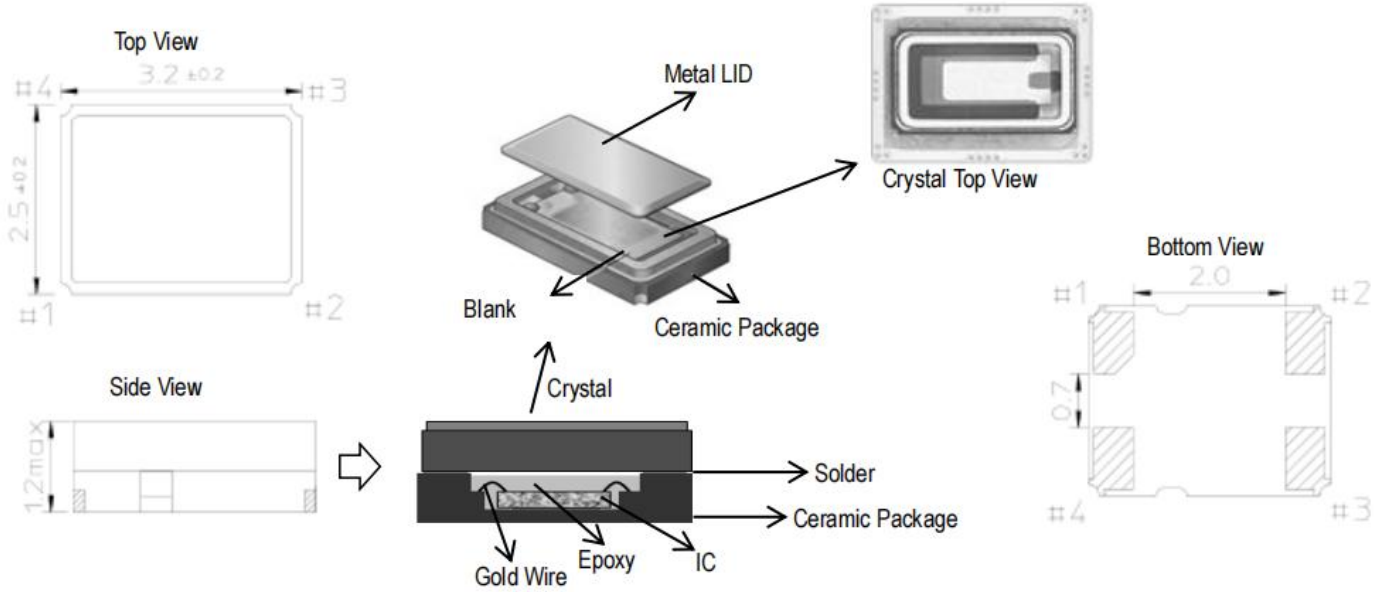
REMARK: SPECIFICATIONS SUBJECT TO CHANGE WITHOUT PRIOR NOTICE. PLEASE CONFIRM WITH OUR SALES ENGINEER.

1.19 Phase Noise

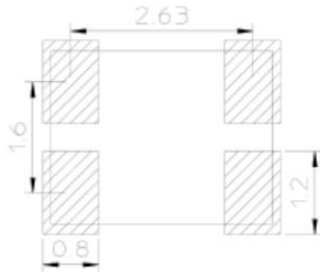
Parameter	Min.	Typ.	Max.	Units	Test Condition
10Hz offset		-65		dBc/Hz	
1KHz offset		-108		dBc/Hz	
10KHz offset		-114		dBc/Hz	
100KHz offset		-117		dBc/Hz	
1MHz offset		-139		dBc/Hz	
20MHz offset		-163		dBc/Hz	
RMS Jitter			1.0	pSec	12KHz-20MHz

2、DIMENSIONS (Unit: mm)

Unit: mm

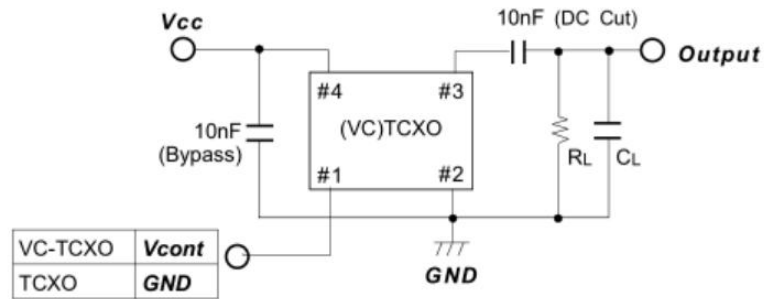


Recommended Land Pattern



Pad No.	Connection	
	TCXO	VC-TCXO
#1	GND	Vcont
#2	GND	GND
#3	Output	Output
#4	Vcc	Vcc

Measurement Circuit

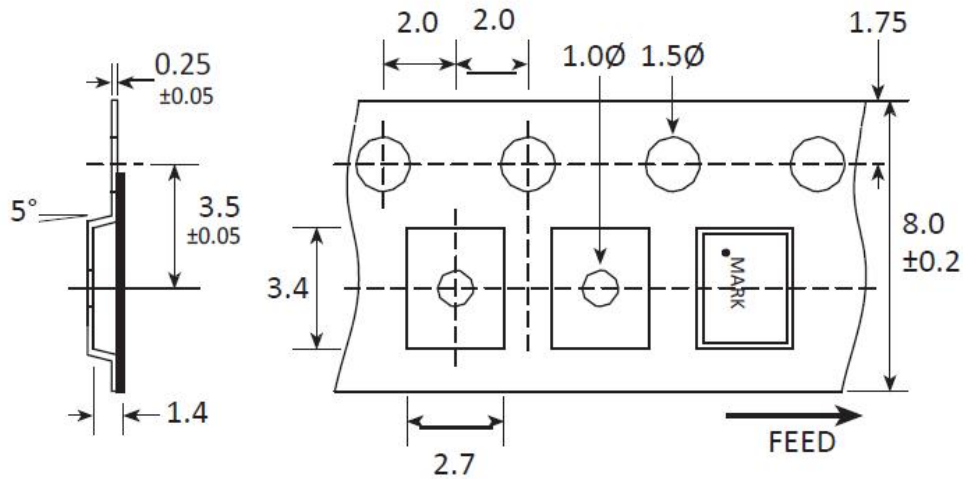


Notes:

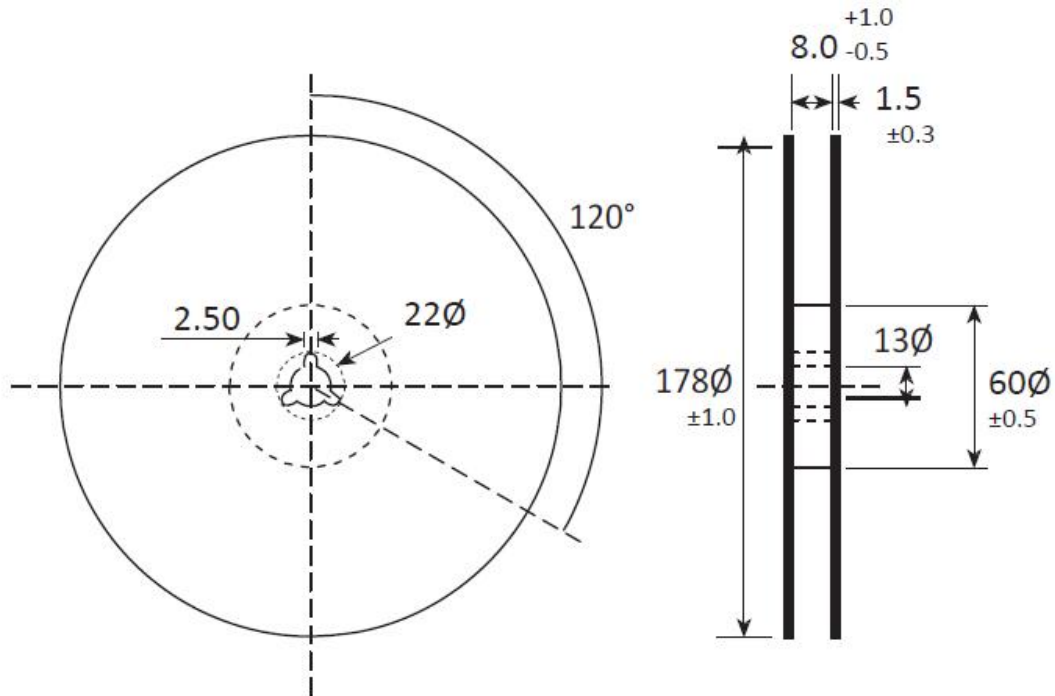
- Please connect a bypass capacitor closely to Vcc Pad.
- Load capacitance (CL) includes probe and test board capacitance.

3、PACKING SPECIFICATIONS (Unit: mm)

TAPE SPECIFICATION:

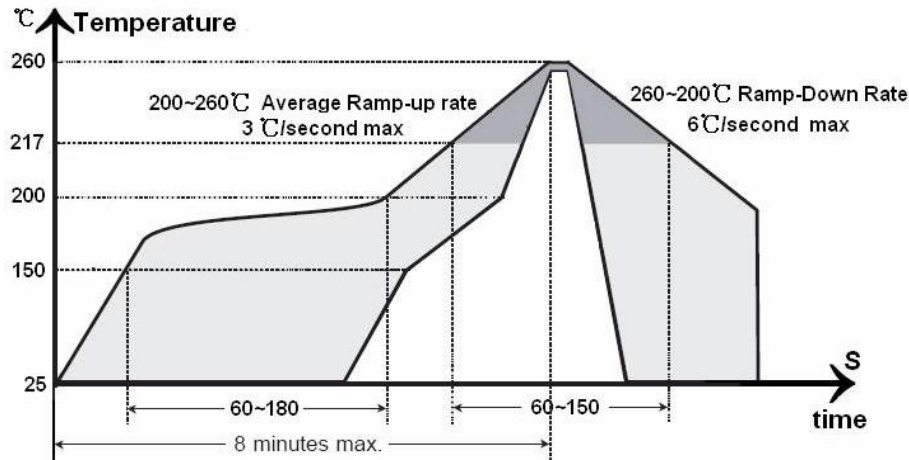


OUTLINE DIMENSION:



Q'ty: 3000pcs/Reel

4、 SUGGESTED REFLOW PROFILE



Peak temperature. 260°C ± 5 °C (10sec. max.)

5、 WTL PART NUMBER SYSTEM :

For example: WTL8M26106CH

[Instructions: for project management, WTL will trace back the part number to developer wherever it goes]

WTL - 3C - 26106 - CH

WTL: Brand

3C: Package Code

26106: Serial number , flow code , without any rules

CH: WTL Developer Code, for example: VH,CH,PZ,RZ,ML