

DESIGNED & DIMENSIONED
IN INCHES[MILLIMETERS]

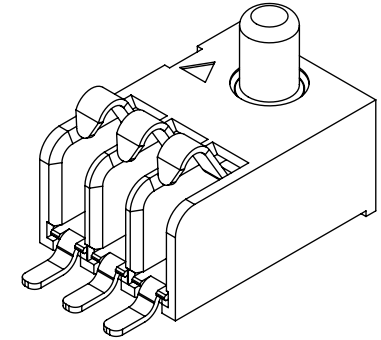
SIBF-XX-F-S-XX

No OF POSITIONS
-03 THRU -30

OPTION
-AT: TOP SIDE A PIN
-AB: BOTTOM SIDE A PIN
-AD: TOP AND BOTTOM A PIN

PLATING SPECIFICATION
-F: 3U" Au IN THE CONTACT AREA,
MATTE TIN TAIL

ROW SPECIFICATION
-S: SINGLE ROW



DO NOT
SCALE FROM
THIS PRINT

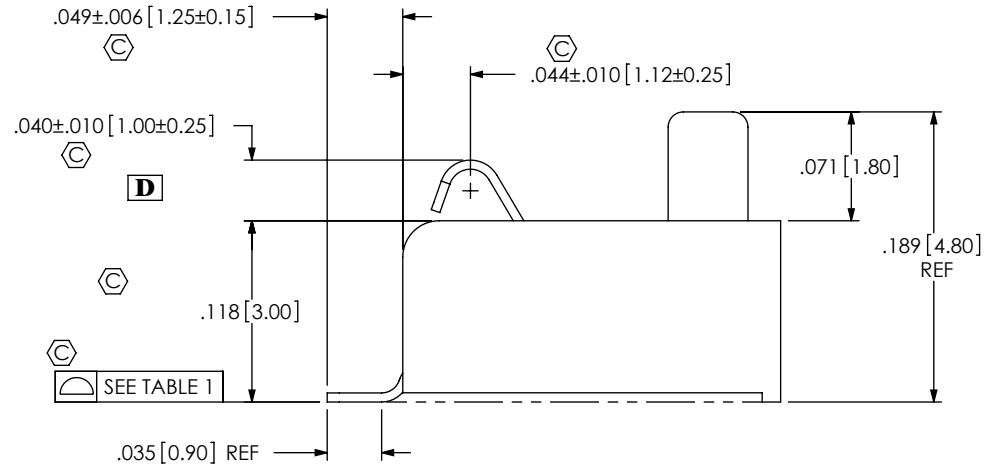
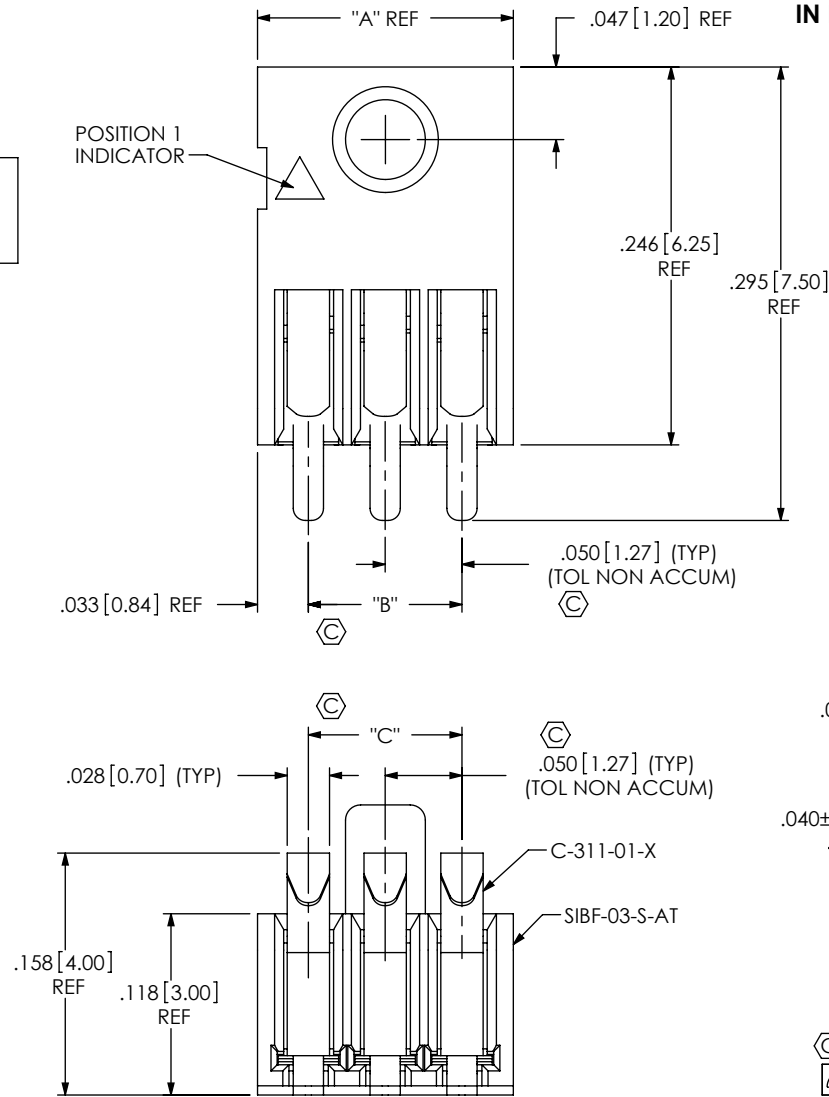




FIG 1
SIBF-03-F-S-AT SHOWN

TABLE 1	
No OF POS	
-03 THRU -19	.004[0.10]
-20 THRU -30	.006[0.15]

NOTES:

1.  REPRESENTS A CRITICAL DIMENSION.
2. CONTACT RETENTION: 0.40LB[0.9N] MIN PER CONTACT.
3. CONNECTORS TO BE PACKAGED IN TUBES.
4. CONNECTORS SHOULD NOT BE SOLDERED UPSIDE DOWN.

UNLESS OTHERWISE SPECIFIED,
DIMENSIONS ARE IN
INCHES[MILLIMETERS].

TOLERANCES ARE:
DECIMALS ANGLES
.XX: ±.01[0.3] 2°
.XXX: ±.005[0.13]
.XXXX: ±.0020[0.051]

PROPRIETARY NOTE

THIS DOCUMENT CONTAINS INFORMATION
CONFIDENTIAL AND PROPRIETARY TO
SAMTEC, INC. AND SHALL NOT BE REPRODUCED
OR TRANSFERRED TO OTHER DOCUMENTS OR
DISCLOSED TO OTHERS OR USED FOR ANY
PURPOSE OTHER THAN THAT WHICH IT WAS
OBTAINED WITHOUT THE EXPRESSED WRITTEN
CONSENT OF SAMTEC, INC.

MATERIAL: DO NOT SCALE DRAWING
INSULATOR: LCP, COLOR: BLACK
CONTACT: PHOS BRONZE

SHEET SCALE: 8:1

samtec

520 PARK EAST BLVD., NEW ALBANY, IN 47150
PHONE: 812-944-6733 FAX: 812-948-5047
e-Mail: info@SAMTEC.com code 55322

DESCRIPTION:
.050" SIBF ASSEMBLY

DWG. NO.
SIBF-XX-F-S-XX

BY: VICKY Z 03/09/2010 SHEET 1 OF 3

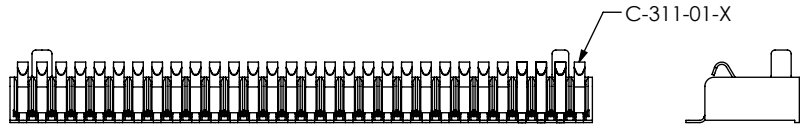
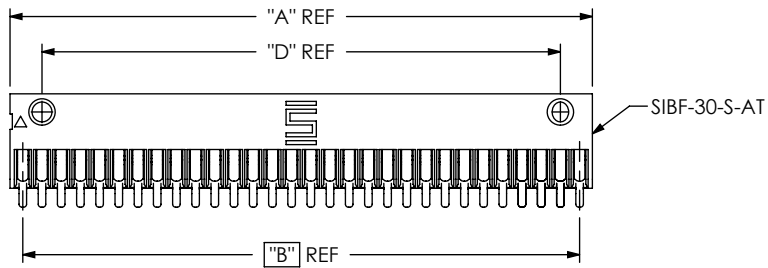


FIG 2
SIBF-30-F-S-AT SHOWN
(SAME AS FIG. 1, EXCEPT AS SHOWN)

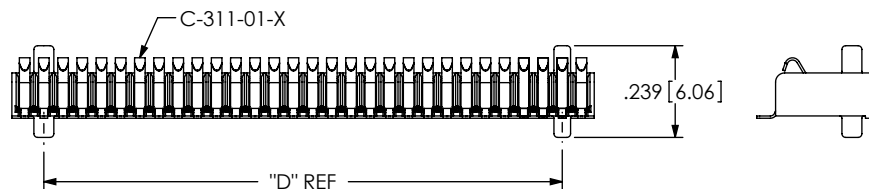
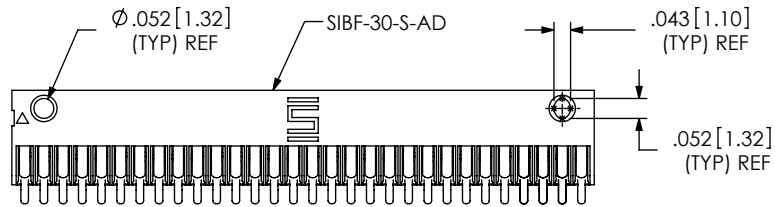


FIG 4
SIBF-30-F-S-AD SHOWN
(SAME AS FIG. 2, EXCEPT AS SHOWN)

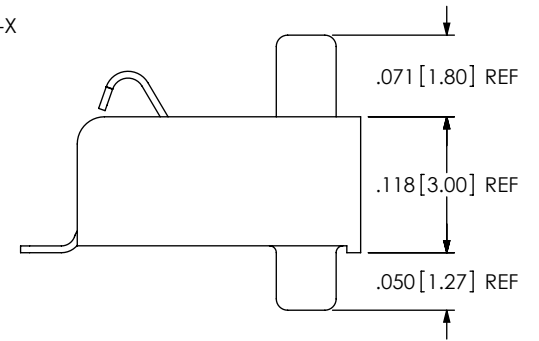
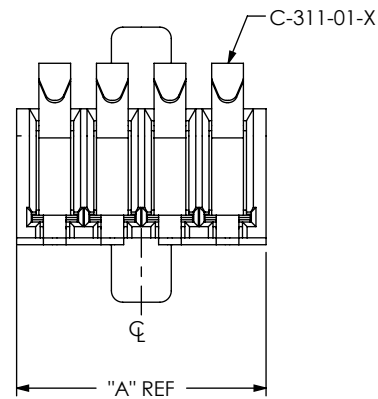
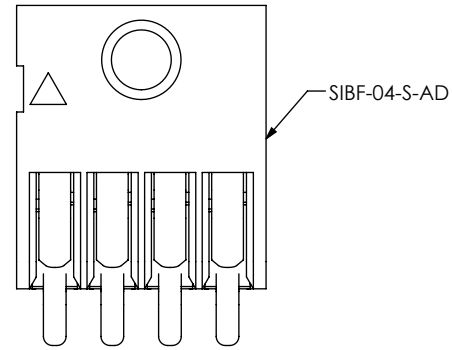


FIG 3
SIBF-04-F-S-AD SHOWN
(SAME AS FIG. 1, EXCEPT AS SHOWN)

PROPRIETARY NOTE
THIS DOCUMENT CONTAINS INFORMATION
CONFIDENTIAL AND PROPRIETARY TO
SAMTEC, INC. AND SHALL NOT BE REPRODUCED
OR TRANSFERRED TO OTHER DOCUMENTS OR
DISCLOSED TO OTHERS OR USED FOR ANY
PURPOSE OTHER THAN THAT WHICH IT WAS
OBTAINED WITHOUT THE EXPRESSED WRITTEN
CONSENT OF SAMTEC, INC.

DO NOT SCALE DRAWING

SHEET SCALE: 8:1

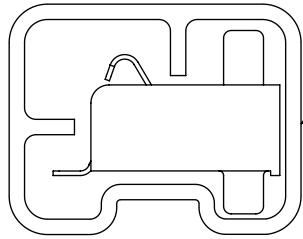
samtec

520 PARK EAST BLVD, NEW ALBANY, IN 47150
PHONE: 812-944-6733 FAX: 812-948-5047
e-Mail info@SAMTEC.com code 55322

DESCRIPTION:
.050" SIBF ASSEMBLY

DWG. NO.
SIBF-XX-F-S-XX

BY: VICKY Z 03/09/2010 SHEET 2 OF 3



TUBE: PT-SIBF001
PLUG: TP-24

PACKAGE VIEW

TABLE 2

No. OF POS	"A"	"B"	"C"	"D"
-03	.167 [4.24]	.10 [2.54]	.10 [2.54]	N/A
-04	.217 [5.51]	.15 [3.81]	.15 [3.81]	N/A
-05	.267 [6.78]	.20 [5.08]	.20 [5.08]	.100 [2.54]
-06	.317 [8.05]	.25 [6.35]	.25 [6.35]	.150 [3.81]
-07	.367 [9.32]	.30 [7.62]	.30 [7.62]	.200 [5.08]
-08	.417 [10.59]	.35 [8.89]	.35 [8.89]	.250 [6.35]
-09	.467 [11.86]	.40 [10.16]	.40 [10.16]	.300 [7.62]
-10	.517 [13.13]	.45 [11.43]	.45 [11.43]	.350 [8.89]
-11	.567 [14.40]	.50 [12.70]	.50 [12.70]	.400 [10.16]
-12	.617 [15.67]	.55 [13.97]	.55 [13.97]	.450 [11.43]
-13	.667 [16.94]	.60 [15.24]	.60 [15.24]	.500 [12.70]
-14	.717 [18.21]	.65 [16.51]	.65 [16.51]	.550 [13.97]
-15	.767 [19.48]	.70 [17.78]	.70 [17.78]	.600 [15.24]
-16	.817 [20.75]	.75 [19.05]	.75 [19.05]	.650 [16.51]
-17	.867 [22.02]	.80 [20.32]	.80 [20.32]	.700 [17.78]
-18	.917 [23.29]	.85 [21.59]	.85 [21.59]	.750 [19.05]
-19	.967 [24.56]	.90 [22.86]	.90 [22.86]	.800 [20.32]
-20	1.017 [25.83]	.95 [24.13]	.95 [24.13]	.850 [21.59]
-21	1.067 [27.10]	1.00 [25.40]	1.00 [25.40]	.900 [22.86]
-22	1.117 [28.37]	1.05 [26.67]	1.05 [26.67]	.950 [24.13]
-23	1.167 [29.64]	1.10 [27.94]	1.10 [27.94]	1.000 [25.40]
-24	1.217 [30.91]	1.15 [29.21]	1.15 [29.21]	1.050 [26.67]
-25	1.267 [32.18]	1.20 [30.48]	1.20 [30.48]	1.100 [27.94]
-26	1.317 [33.45]	1.25 [31.75]	1.25 [31.75]	1.150 [29.21]
-27	1.367 [34.72]	1.30 [33.02]	1.30 [33.02]	1.200 [30.48]
-28	1.417 [35.99]	1.35 [34.29]	1.35 [34.29]	1.250 [31.75]
-29	1.467 [37.26]	1.40 [35.56]	1.40 [35.56]	1.300 [33.02]
-30	1.517 [38.53]	1.45 [36.83]	1.45 [36.83]	1.350 [34.29]

D

PROPRIETARY NOTE

THIS DOCUMENT CONTAINS INFORMATION CONFIDENTIAL AND PROPRIETARY TO SAMTEC, INC. AND SHALL NOT BE REPRODUCED OR TRANSFERRED TO OTHER DOCUMENTS OR DISCLOSED TO OTHERS OR USED FOR ANY PURPOSE OTHER THAN THAT WHICH IT WAS OBTAINED WITHOUT THE EXPRESSED WRITTEN CONSENT OF SAMTEC, INC.

DO NOT SCALE DRAWING

SHEET SCALE: 8:1



520 PARK EAST BLVD, NEW ALBANY, IN 47150
PHONE: 812-944-6733 FAX: 812-948-5047
e-Mail: info@SAMTEC.com code 55322

DESCRIPTION: .050" SIBF ASSEMBLY

DWG. NO. SIBF-XX-F-S-XX

BY: VICKY Z 03/09/2010 SHEET 3 OF 3