
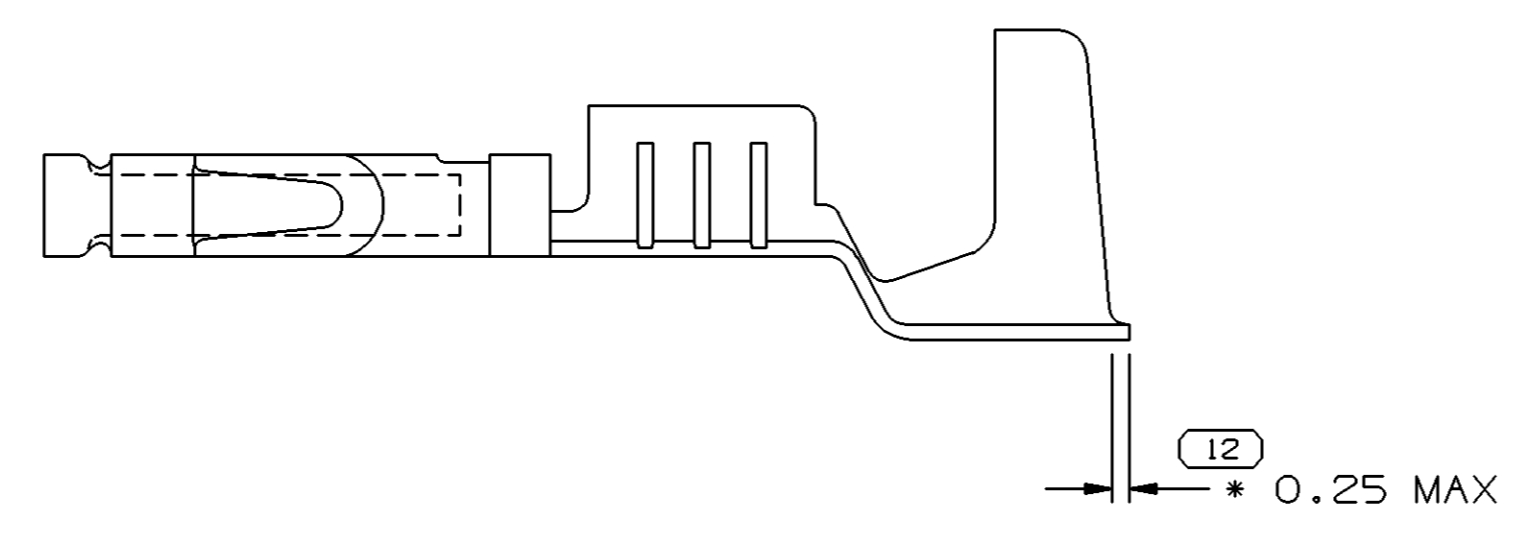
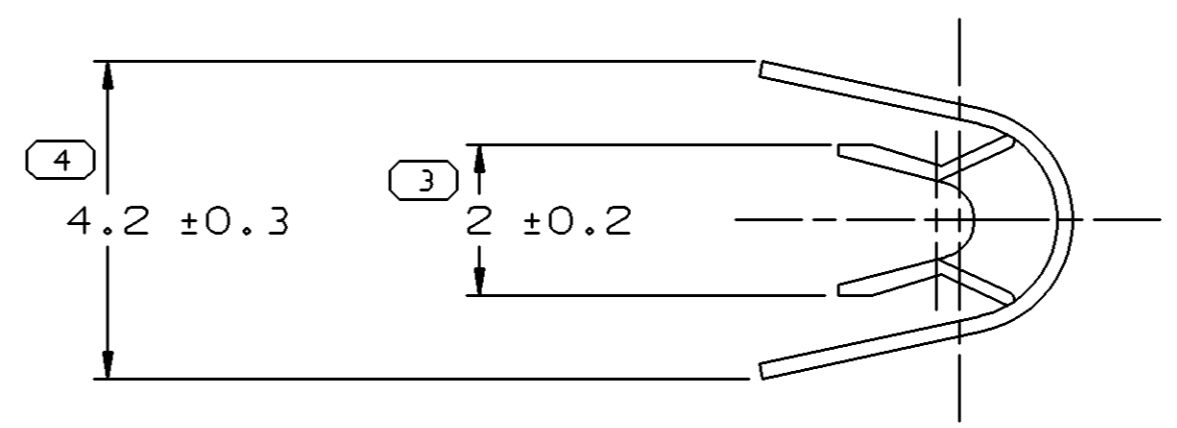
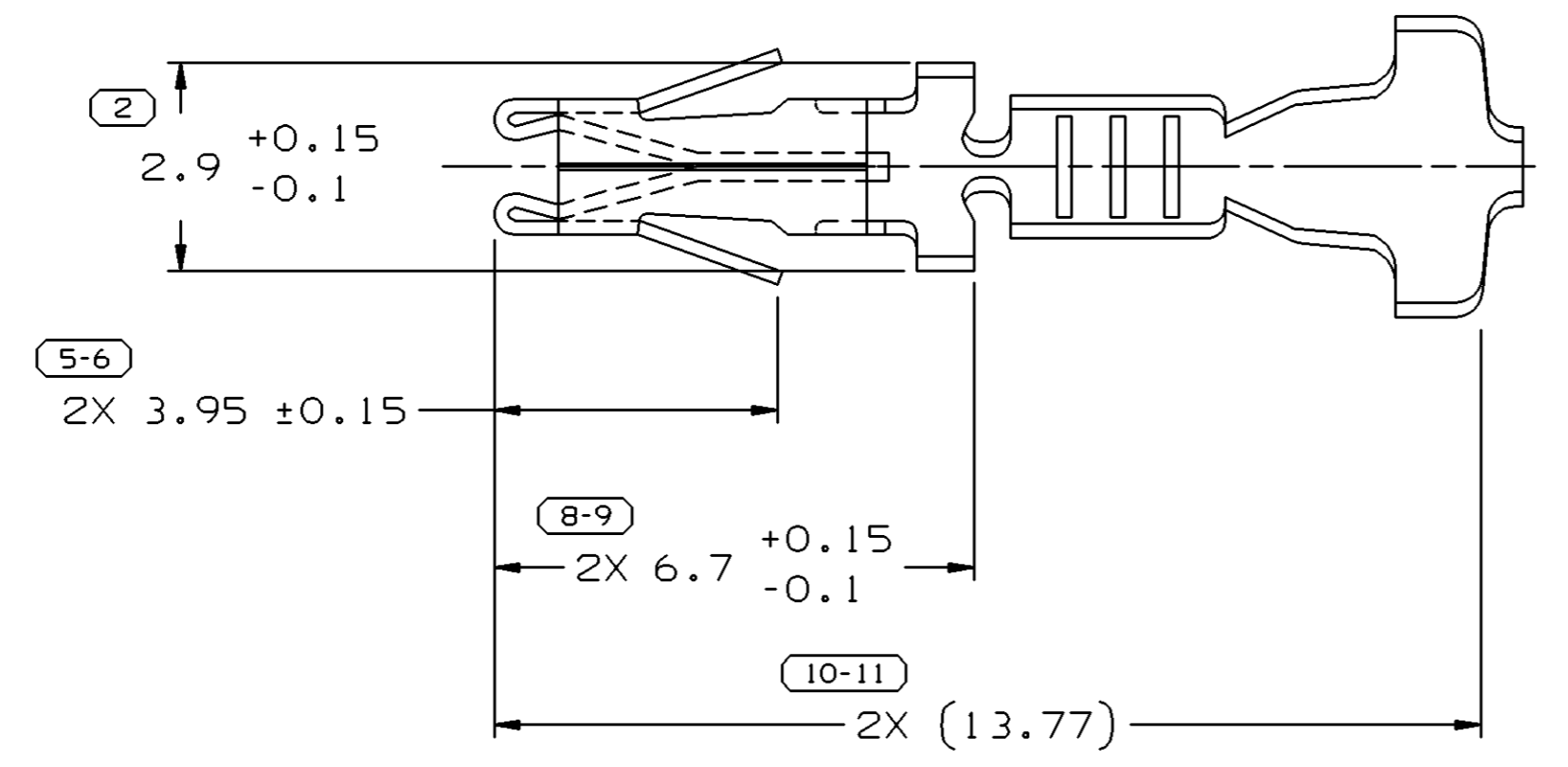
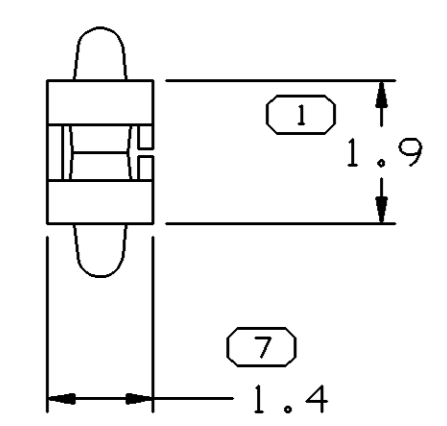


SYMBOL DEFINITION			MISSING NUMBERS	
A DIMENSION WITHOUT AN INSPECTION REPORT SYMBOL  DOES NOT REQUIRE INSPECTION. IT MAY BE CONTROLLED ON AN INDIVIDUAL COMPONENT DRAWING	TOTAL NO. OF SYMBOLS ON DRAWING	9		
	LAST NO. USED	12		

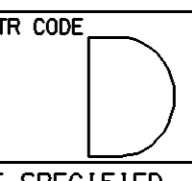

DWG STATUS					ZONE	REVISION HISTORY	AUTH	DR	APVD1	APVD2
DATE	STG	REV	N/P	CHG						
190C01	R	D4	-	-		CLEARED REV COLUMN AND REVISED GRAPHICS	215935	JAA	JAA	MW
16AP02	R	D5	-	-		UPDATED FORMAT AND REVISED GAP NOTE ON TOD DWG	223829	RAB	RAB	MD
29N002	R	D6	-	-		UPDATED PDM ATTRIBUTES	233435	LOA	FRG	RF
03JA03	R	D7	-	-		2.9+0.15-0.1 WAS 2.9±0.15 AND 2X 6.7 +0.15-0.1 WAS 2X 6.7±0.15	235051	TLD	TLD	RF
17MR03	R	05	-	-		UPDATED PDM ATTRIBUTES	238452	TLD	TLD	RF



NOTES

- UNLESS OTHERWISE SPECIFIED AND/OR INDICATED: DIMENSIONS ARE TO FACE OF VIEW SHOWN AND AUTOMATICALLY ROUNDED BY COMPUTER FOR INSPECTION (SEE MATH MODEL FOR PRECISE DIMENSIONS). FOR ALL OTHER DIMENSIONS NOT SHOWN BUT REQUIRED FOR TOOL BUILD, SEE MATH MODEL FOR PRECISE TOOL PATH DATA.
- * DENOTES DIMENSION IS MADE AT CUT OFF AND CRIMP DIE.
- MATING CONNECTOR 15305080 OR EQUIVALENT.
- TERMINALS TO ACCEPT AND RETAIN CABLE SEAL 12191226 OR EQUIVALENT.
- REFER TO M-3725 FOR MATERIAL PROPERTIES.

3 PROCESS SENSITIVE DIMENSION	
DIMENSIONS ENCLOSED IN () INDICATE REFERENCE DIMENSIONS AND NO TOLERANCE LIMITS ARE ESTABLISHED	
DIMENSIONAL RANGE (MM)	CHART D
FROM 0	> 12
TO 12	
TOLERANCE UNLESS OTHERWISE SPECIFIED	
±0.1	±0.2
ANGULAR TOLERANCE ±2°	

DWG TYPE PART DRAWING	
STYLE	
VOLUME (CM³)	DISTR CODE
ROUTING 6901	
UNLESS OTHERWISE SPECIFIED THIS DOCUMENT IS IN ACCORDANCE WITH ASME Y14.5M-1994 AS AMENDED BY THE GM GLOBAL DIMENSIONING AND TOLERANCING ADDENDUM - 1997. ALL GEOMETRIC TOLERANCES AND RELATED DATUMS APPLY RFS. RULE #1 PERFECT FORM AT MMC1 DOES NOT APPLY WHEN RELATIONSHIP BETWEEN FEATURES IS ESTABLISHED BY ORIENTATION OR LOCATION TOLERANCES. SEPARATE POSITION CALLOUTS MAY BE GAGED SEPARATELY, REGARDLESS OF DATUM REFERENCE. ALL DIMENSIONS ARE IN MILLIMETERS	
REFERENCE	THIRD ANGLE PROJECTION
	DO NOT SCALE
	USE MATH DATA
	

DELPHI	
DELPHI PACKARD ELECTRIC SYSTEMS WARREN, OH	
DR	DATE
APVD1 G.G. IZQUIERDO	30JL96
APVD2 MANUEL VEGA	30JL96
APVD3 R. POLENICK	23DE97
APVD4	
APVD5	
SUBSTANCES OF CONCERN AND RECYCLED CONTENT PER DELPHI-A 10949001	
MATERIAL M-3725-965 BECU ALLOY	
DRAWING NAME TERM F MIC/P 064 N/G SEALED NONE	
DRAWING NUMBER 15305174	
SIZE A1	SCALE 10:1
FRAME NO 1 OF 1	SHEET NO 1 OF 1
STG R	REV 05
N/P -	

Mouser Electronics

Authorized Distributor

Click to View Pricing, Inventory, Delivery & Lifecycle Information:

[Aptiv:](#)

[15305174](#)