

**NOTES:**

RATED VOLTAGE: MAX. 63V AC/DC  
 RATED CURRENT: MAX. 16A at 40°C (derating has to be considered)  
 IP RATING: IP67 (mated and locked condition)  
 TEMPERATURE RANGE: -25°C TO +85°C

CABLE PRINTING (sequence as shown below):  
 - MOLEX engineering no. (see page 2)  
 - MOLEX material no. (see page 2)  
 - MOLEX MAX. 63V AC/DC MAX. 16 A USR  
 - MOLEX AND DATE OF MANUFACTURING (YY=YEAR; WW=WEEK): MXYWW  
 - Not for current interrupting  
 - PROFINET 24V Power 4x2,5

PART ACCORDING PRODUCT SPEC: 1205010169  
 PACKAGING ACCORDING PACKAGING SPEC: 1201202000

TABLE 1

POS	DESCRIPTION	MATERIAL	FINISH
1	NUT M12 FE	BRASS	Ni
2	CONTACT 15 FE	BRASS	Au
3	INSERT	PA	BLACK
4	OVERMOLD	TPE	BLACK
5	CABLE 4x2.5 D10.1 WSOR	PUR	BLACK
6	GASKET OR 8.2X1.25	FKM	BLACK
OPTIONAL 7	ID CARRIER	-	-

FUNCTIONAL SYMBOLS $\nabla_A = 0$ $\nabla_E = 0$ $\nabla_F = 0$ DIVISIONAL SYMBOLS	THIS DRAWING CONTAINS INFORMATION THAT IS PROPRIETARY TO MOLEX ELECTRONIC TECHNOLOGIES, LLC AND SHOULD NOT BE USED WITHOUT WRITTEN PERMISSION CURRENT REV DESC: UPDATED ATTRIBUTE TO GENERAL MARKET IN ECTR			
	DIMENSION UNITS: mm SCALE: 2:1 GENERAL TOLERANCES (UNLESS SPECIFIED): ANGULAR TOL ± 1.0° 4 PLACES ± 3 PLACES ± 2 PLACES ± 0.05 1 PLACE ± 0.3 0 PLACES ± 0.5	EC NO: 735577 DRWN: NIKHIS3 CHK'D: RSILLER APPR: RSILLER INITIAL REVISION: DRWN: FDAFERNER APPR: RSILLER	2023/01/11 2023/01/19 2023/01/19 2020/05/12 2021/10/05	CSE M12 4P LC FE STR WSOR BK XM UNSH PRODUCT CUSTOMER DRAWING DOCUMENT NUMBER: 1205000228 DOC TYPE: PSD DOC PART: 000 REVISION: A1
	DRAFT WHERE APPLICABLE MUST REMAIN WITHIN DIMENSIONS THIRD ANGLE PROJECTION	DRAWING: A3-SIZE SERIES: 120500 MATERIAL NUMBER: SEE TABLE 2 CUSTOMER: GENERAL MARKET SHEET NUMBER: 1 OF 2		

# ENGINEERING NO - NUMERICAL CODE (Available parts see PART LIST table. Other parts available upon request).

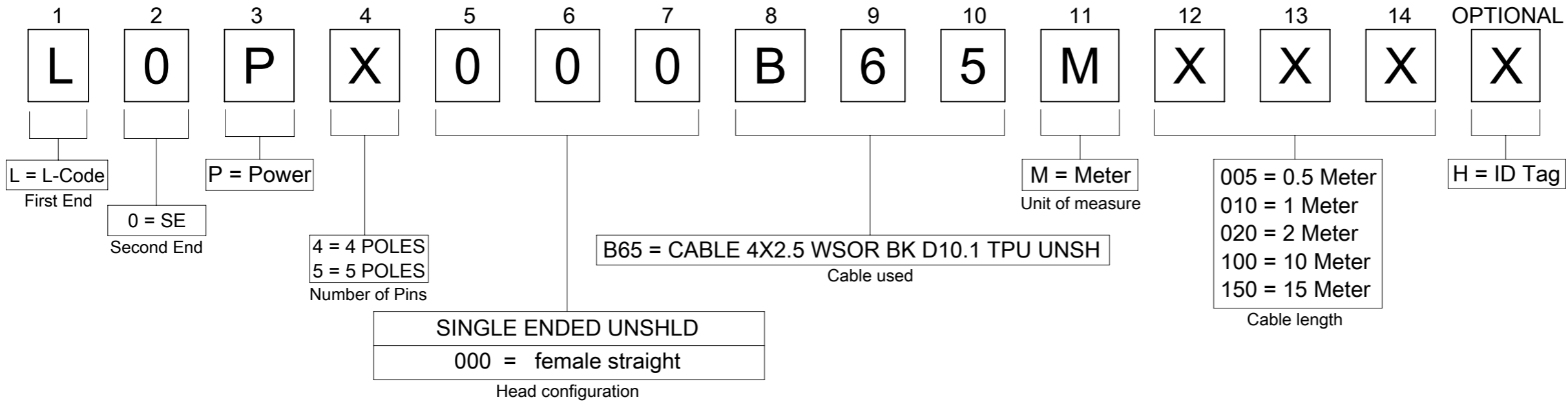


TABLE 2

NOMINAL SECTION 2,5mm <sup>2</sup>			
MATERIAL NO.	ENGINEERING NO.	L [mm]	TOLERANCE [mm]
1205000228	L0P4000B65M010	1000	+40
1205000229	L0P4000B65M020	2000	+60
1205000230	L0P4000B65M030	3000	+60
1205000231	L0P4000B65M050	5000	+60
1205000232	L0P4000B65M100	10000	+80
1205000233	L0P4000B65M150	15000	+140
1205000234	L0P4000B65M200	20000	+140

FUNCTIONAL SYMBOLS	THIS DRAWING CONTAINS INFORMATION THAT IS PROPRIETARY TO MOLEX ELECTRONIC TECHNOLOGIES, LLC AND SHOULD NOT BE USED WITHOUT WRITTEN PERMISSION		
	$\nabla_A = 0$ $\nabla_B = 0$ $\nabla_C = 0$	DIMENSION UNITS <b>mm</b>	SCALE <b>1:1</b>
DIVISIONAL SYMBOLS	GENERAL TOLERANCES (UNLESS SPECIFIED)		EC NO: 735577 DRWN: NIKHIS3 CHK'D: RSILLER APPR: RSILLER 2023/01/19 2023/01/19
	ANGULAR TOL $\pm 1.0^\circ$		
4 PLACES $\pm$		2023/01/11	<b>molex</b>  CSE M12 4P LC FE STR WSOR BK XM UNSH
3 PLACES $\pm$		2023/01/19	
2 PLACES $\pm 0.05$		2023/01/19	PRODUCT CUSTOMER DRAWING
1 PLACE $\pm 0.3$		2020/05/12	INITIAL REVISION:
0 PLACES $\pm 0.5$		2021/10/05	DRWN: FDAFERNER APPR: RSILLER
DRAFT WHERE APPLICABLE MUST REMAIN WITHIN DIMENSIONS		THIRD ANGLE PROJECTION	DOCUMENT NUMBER
		DRAWING	DOC TYPE
		A3-SIZE	DOC PART
		SERIES	REVISION
		120500	1205000228
		MATERIAL NUMBER	PSD
		CUSTOMER	000
		GENERAL MARKET	A1
		SHEET NUMBER	2 OF 2