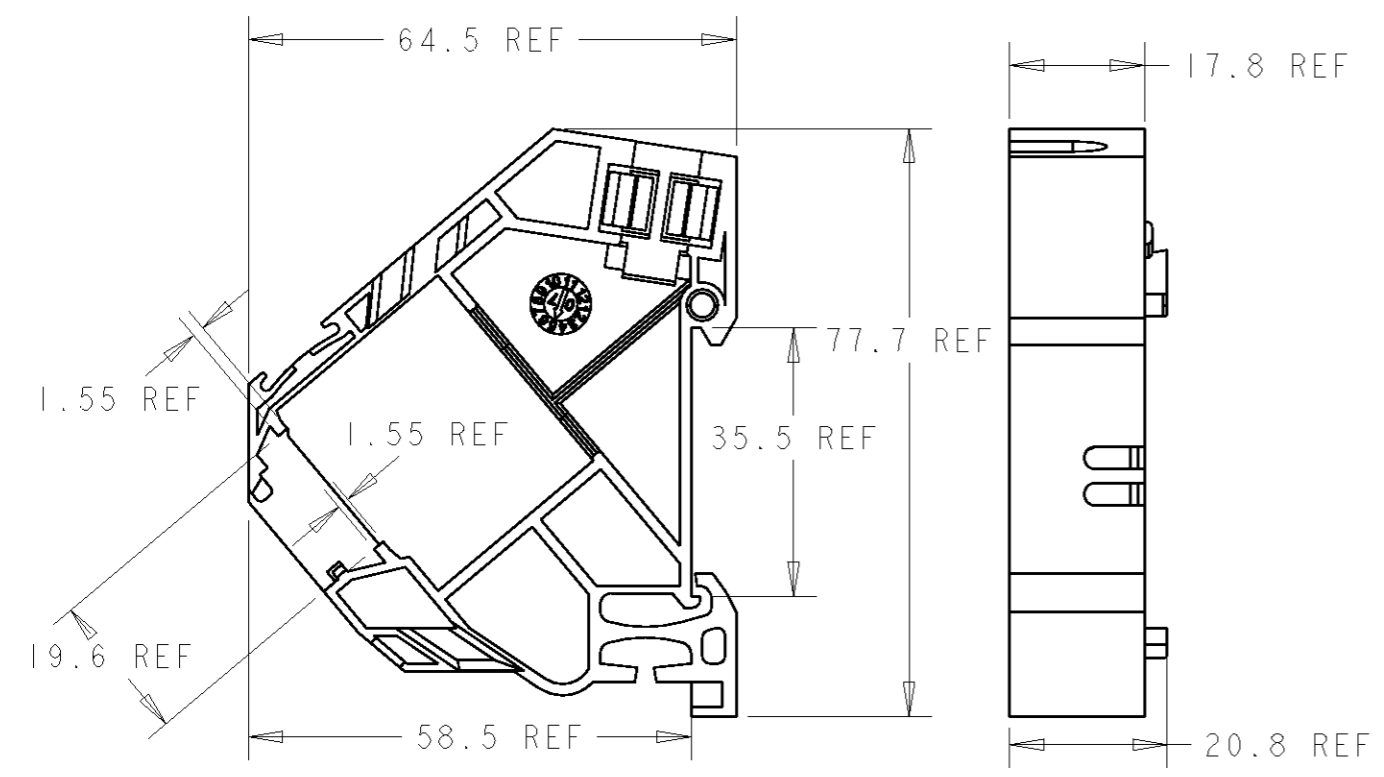


THIS DRAWING IS UNPUBLISHED. RELEASED FOR PUBLICATION 2010
 © COPYRIGHT 2010 BY TYCO ELECTRONICS CORPORATION. ALL RIGHTS RESERVED.

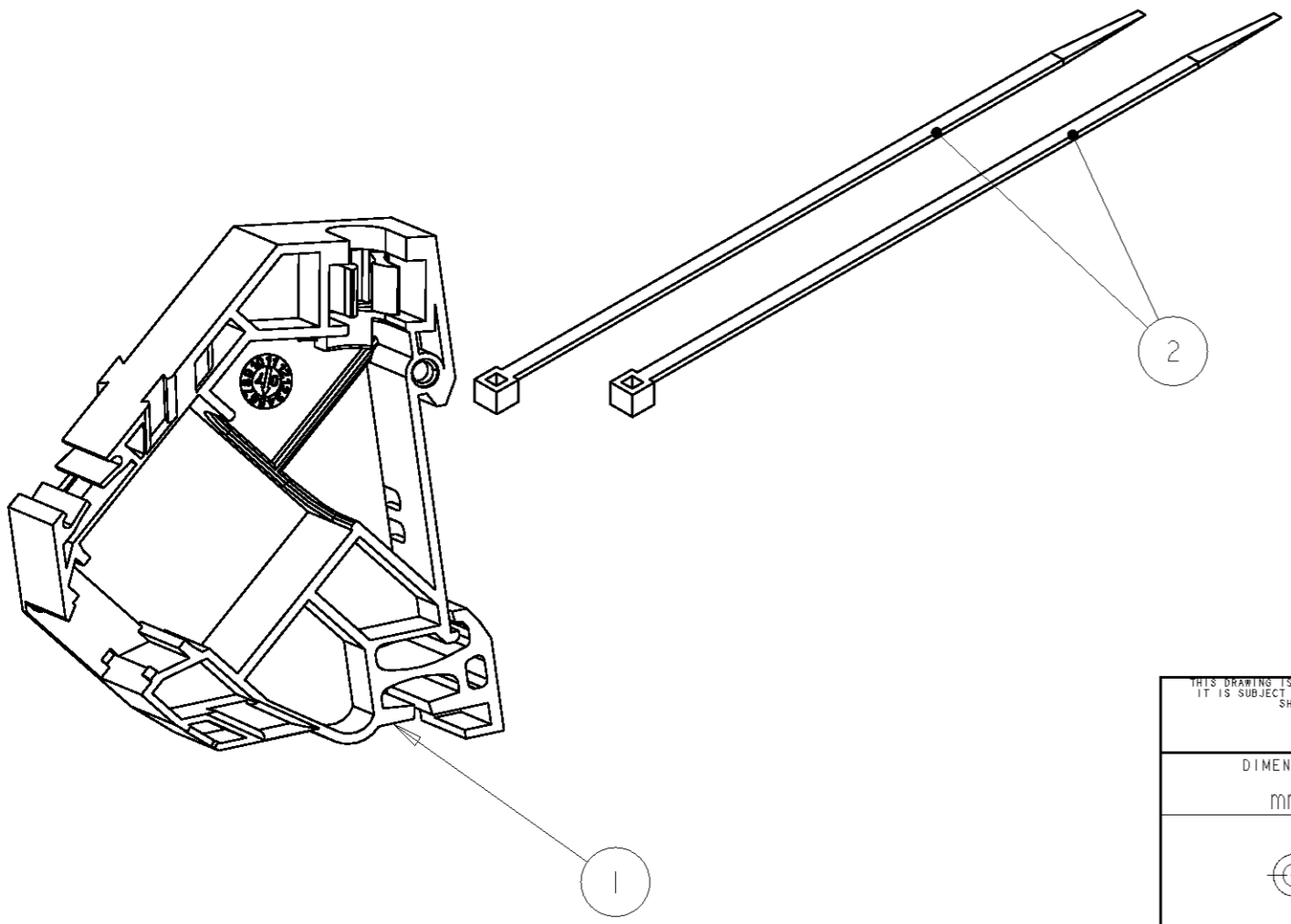
LOC	DIST	REVISIONS				
P	LTR	DESCRIPTION	DATE	DWN	APVD	
1K	2	A	FIRST RELEASE	02MAR2010	ACG	JS
-	-	-	-	-	-	-

DIN RAIL ADAPTER (REF. DIMENSIONS)



1. VIEWS AND DIMENSIONS ARE ONLY FOR REFERENCE.
 FOR FUTHER DETAILS RFER TO ADECUATE PRODUCT DRAWINGS

2. PACKAGING INFORMATION:
 PRIMARY: 1 DIN RAIL ADAPTER (Item 1) + 2 TIE-WRAP (Item 2) PER BAG.
 25 BAGS + 1 INSTRUCC. SHEET (Item 3) per BOX.
 SECONDARY: 20 BOXES INTO A SHIPPING BOX.
 ALL BOXES WITH THE CORRESPONDING LABELS.
 ACCORDING TO TYCO ELECTRONICS PACKAGING SPEC.



QTY. REQD.	1711897-1	COLOUR	MATERIAL	DESCRIPTION	ITEM
1		GREY	PA 30% GF	DIN RAIL ADAPTER	1
2		TRANSPARENT (WHITE)	PLASTIC	TIE-WRAP	2
1/25	--	WHITE PAPER B/W PRINTED	Application Spec.: 114-93017 (NOT SHOWN)		3

PART LIST

<small>THIS DRAWING IS A CONTROLLED DOCUMENT FOR TYCO ELECTRONICS CORPORATION IT IS SUBJECT TO CHANGE AND THE CONTROLLING ENGINEERING ORGANIZATION SHOULD BE CONTACTED FOR THE LATEST REVISION.</small>		DWN 02MAR2010 A. CARRERAS		Tyco Electronics AMP España, S.A. Barcelona, Spain	
DIMENSIONS: mm		TOLERANCES UNLESS OTHERWISE SPECIFIED: 0 PLC ±- 1 PLC ±- 2 PLC ±- 3 PLC ±- 4 PLC ±- ANGLES ±-		NAME DIN RAIL ADAPTER, for AMP-TWIST and SL Series Jack	
MATERIAL -		FINISH -		PRODUCT SPEC - APPLICATION SPEC 114-93017 WEIGHT -	
CUSTOMER DRAWING				SIZE A3 CAGE CODE 00779 DRAWING NO C-1711897	RESTRICTED TO -
				SCALE N.A	SHEET 1 OF 1 REV A