



SGM8750

300ns, Single-Supply, Dual Channels, Low Power, Rail-to-Rail Input Comparator

GENERAL DESCRIPTION

The SGM8750 is a dual, high speed, low power comparator, which features a fast 300ns propagation delay. The device is optimized for low voltage operation on 3V or 5V supply, and consumes only 46 μ A supply current.

The SGM8750 supports rail-to-rail input operation. The input common mode voltage range is from -0.1V to V_{CC} + 0.1V. The device has an open-drain output structure that needs external pull-up resistor. Any input or output pin has a continuous short-circuit protection to both power supply rails.

The SGM8750 is available in Green SOIC-8 and MSOP-8 packages. It is rated over the -40°C to +125°C temperature range.

FEATURES

- **Low Propagation Delay: 300ns (Overdrive = 10mV)**
- **Low Supply Current: 46 μ A (TYP) at V_{CC} = 3V**
- **Low Offset Voltage: 5.5mV (MAX)**
- **Rail-to-Rail Input**
- **Supply Voltage Range: 2.7V to 5.5V**
- **Open-Drain Output**
- **Output Swing with 4mA Output Current: 200mV (TYP)**
- **Supports CMOS or TTL Logic**
- **-40°C to +125°C Operating Temperature Range**
- **Available in Green SOIC-8 and MSOP-8 Packages**

APPLICATIONS

3V or 5V Applications
Portable/Battery-Powered Equipment
Mobile Phones
Zero-Crossing Detectors
Threshold Detectors
Line Receiver Units

300ns, Single-Supply, Dual Channels, Low Power, Rail-to-Rail Input Comparator

SGM8750

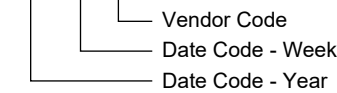
PACKAGE/ORDERING INFORMATION

MODEL	PACKAGE DESCRIPTION	SPECIFIED TEMPERATURE RANGE	ORDERING NUMBER	PACKAGE MARKING	PACKING OPTION
SGM8750	SOIC-8	-40°C to +125°C	SGM8750XS8G/TR	SGM 8750XS8 XXXXX	Tape and Reel, 2500
	MSOP-8	-40°C to +125°C	SGM8750XMS8G/TR	SGM8750 XMS8 XXXXX	Tape and Reel, 4000

MARKING INFORMATION

NOTE: XXXXX = Date Code and Vendor Code.

XXXXX



Green (RoHS & HSF): SG Micro Corp defines "Green" to mean Pb-Free (RoHS compatible) and free of halogen substances. If you have additional comments or questions, please contact your SGMICRO representative directly.

ABSOLUTE MAXIMUM RATINGS

Supply Voltage, V_{CC} to GND	6V
Differential Input Voltage, V_{ID}	$\pm(V_{CC} - GND)$
Voltage at Input/Output Pins	-0.3V to ($V_{CC} + 0.3V$)
Junction Temperature	+150°C
Storage Temperature Range	-65°C to +150°C
Lead Temperature (Soldering, 10s)	+260°C
ESD Susceptibility	
HBM	2000V
CDM	1000V

RECOMMENDED OPERATING CONDITIONS

Operating Temperature Range	-40°C to +125°C
Operating Supply Voltage Range	2.7V to 5.5V

OVERSTRESS CAUTION

Stresses beyond those listed in Absolute Maximum Ratings may cause permanent damage to the device. Exposure to absolute maximum rating conditions for extended periods may affect reliability. Functional operation of the device at any conditions beyond those indicated in the Recommended Operating Conditions section is not implied.

ESD SENSITIVITY CAUTION

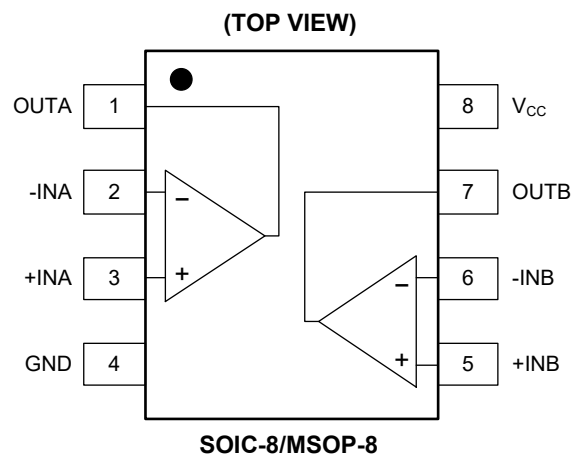
This integrated circuit can be damaged if ESD protections are not considered carefully. SGMICRO recommends that all integrated circuits be handled with appropriate precautions. Failure to observe proper handling and installation procedures

can cause damage. ESD damage can range from subtle performance degradation to complete device failure. Precision integrated circuits may be more susceptible to damage because even small parametric changes could cause the device not to meet the published specifications.

DISCLAIMER

SG Micro Corp reserves the right to make any change in circuit design, or specifications without prior notice.

PIN CONFIGURATIONS



ELECTRICAL CHARACTERISTICS(V_{CC} = 5V, V_{CM} = 0V, C_L = 15pF, Full = -40°C to +125°C, typical values are at T_A = +25°C, unless otherwise noted.)

PARAMETER	SYMBOL	CONDITIONS	TEMP	MIN	TYP	MAX	UNITS
Operating Supply Voltage Range	V _{CC}		Full	2.7		5.5	V
Input Common Mode Voltage Range	V _{CM}		Full	-0.1		V _{CC} + 0.1	V
Input Offset Voltage	V _{OS}	V _{CC} = 5V, V _{CM} = -0.1V	+25°C		0.9	5.5	mV
			Full			6	
		V _{CC} = 5V, V _{CM} = 5.1V	+25°C		0.9	6	
			Full			6.5	
Output Short-Circuit Current	I _{SIK}	V _{CC} = 5V, V _{OUT} = V _{CC} /2	+25°C	27	30		mA
			Full	19			
Common Mode Rejection Ratio	CMRR	V _{CC} = 5V, V _{CM} = -0.1V to 5.1V	+25°C	63	80		dB
			Full	60			
Power Supply Rejection Ratio	PSRR	V _{CC} = 2.7V to 5.5V	+25°C	76	80		dB
			Full	68			
Output Voltage Swing from Rail	V _{OL}	V _{CC} = 5V, I _{OUT} = -4mA	+25°C		200	220	mV
			Full			310	
Supply Current	I _S	V _{CC} = 3V, V _{OUT} = L, I _{OUT} = 0mA	+25°C		46	65	μA
			Full			90	
		V _{CC} = 5V, V _{OUT} = L, I _{OUT} = 0mA	+25°C		50	72	
			Full			120	

SWITCHING CHARACTERISTICS(V_{CC} = 5V, V_{CM} = 0V, C_L = 15pF, typical values are at T_A = +25°C, unless otherwise noted.)

PARAMETER	SYMBOL	CONDITIONS	TEMP	MIN	TYP	MAX	UNITS
Propagation Delay (High to Low)	t _{PHL}	Overdrive = 10mV	+25°C		300		ns
		Overdrive = 100mV	+25°C		110		
Fall Time	t _{FALL}	Overdrive = 10mV	+25°C		14		ns
		Overdrive = 100mV	+25°C		8		
Turn-On Time		V _{CC} = 3V	+25°C		30		μs

DETAILED DESCRIPTION

The SGM8750 is a single, high speed, low power comparator optimized for low voltage operation from 2.7V to 5.5V single supply. The device supports rail-to-rail input operation. It is suitable for portable equipment. Open-drain structure needs external pull-up resistor. The SGM8750 can be compatible with CMOS and TTL logics.

Output Structure

In Figure 1, the SGM8750 has an open-drain output stage. When output is changed from logic high to low, the changed sink current pulls output pin to logic low. Beginning this transition, larger sink current is used to create a high slew rate transit from high to low. Once the output voltage reaches V_{OL} , it will reduce the sink current to a just right value to maintain the V_{OL} static condition. This current-driven open-drain output stage will significantly reduce the power consumption in application system.

If low slew rate transition is needed in system design, adjusting the load capacitance will change the slew rate. The heavier capacitive load will slow down the output voltage transition. This feature will be used to reduce the interference generated by fast edge of transition between 1 and 0 in noise-sensitive system.

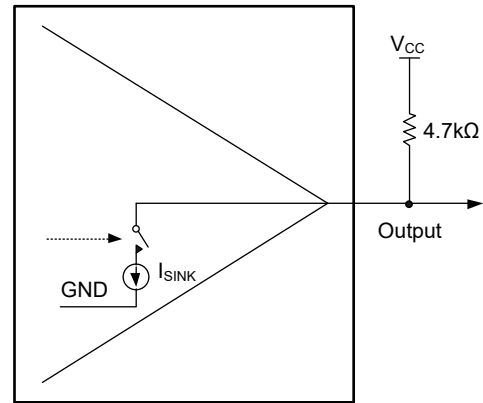


Figure 1. Open-Drain Output Structure

APPLICATION INFORMATION

Application Circuits

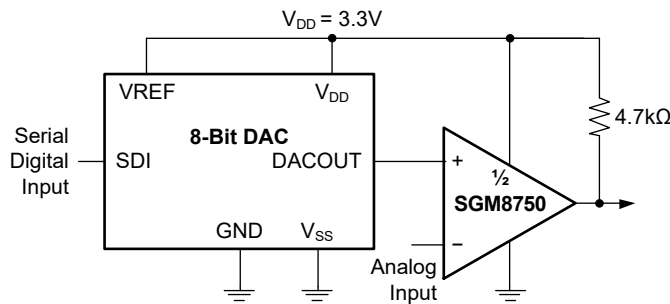


Figure 2. A Threshold Detector Controlled by 8-Bit DAC

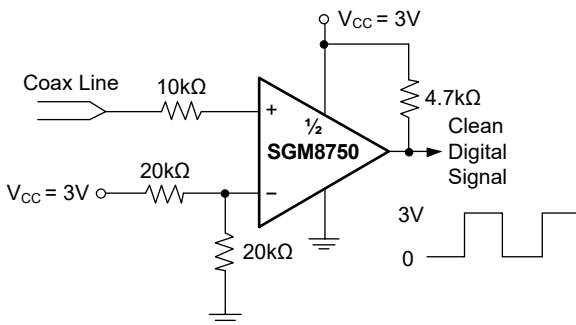


Figure 3. The Application of Line Receiver

Layout and Bypassing

Good power supply decoupling, layout and grounding are very important for SGM8750 to realize the full high-speed capabilities in system, following skills will be used:

- ◆ A 0.1μF to 4.7μF range ceramic capacitor is used to provide good power supply decoupling. This ceramic capacitor must be placed as close to V_{CC} pin as possible.
- ◆ For grounding, unbroken and low-inductance ground plane is a good choice.
- ◆ For Layout, use short PCB trace to avoid unwanted parasitic feedback around the comparator. SGM8750 must be soldered directly to the PCB and the socket is not recommended.

REVISION HISTORY

NOTE: Page numbers for previous revisions may differ from page numbers in the current version.

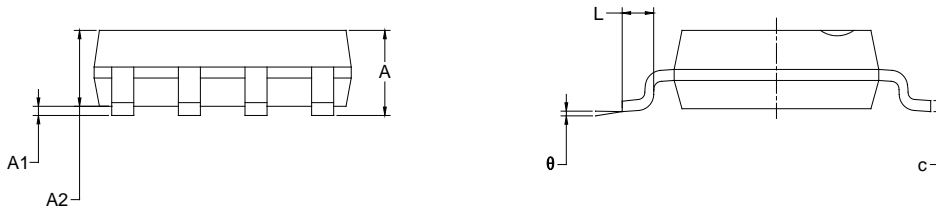
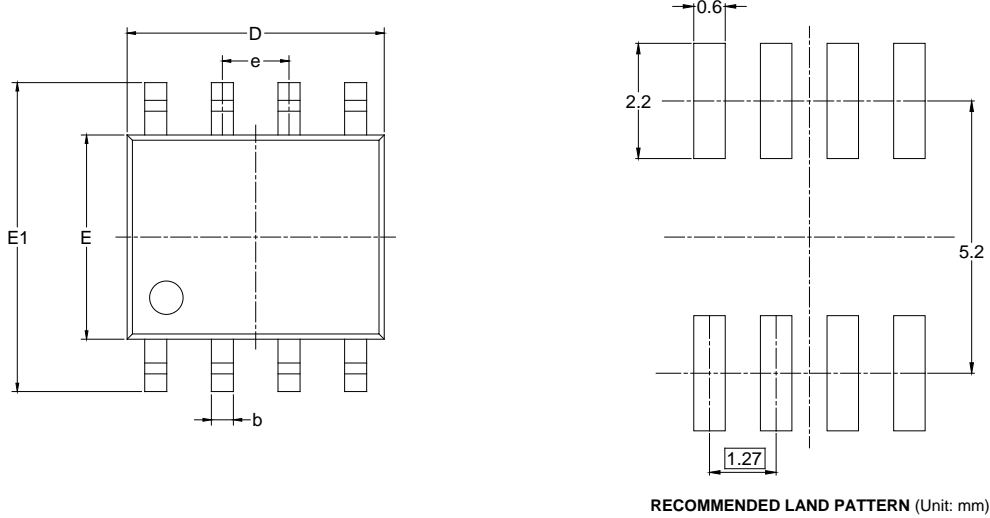
Changes from Original (AUGUST 2021) to REV.B

Page

Changed from product preview to production data.....All

PACKAGE OUTLINE DIMENSIONS

SOIC-8

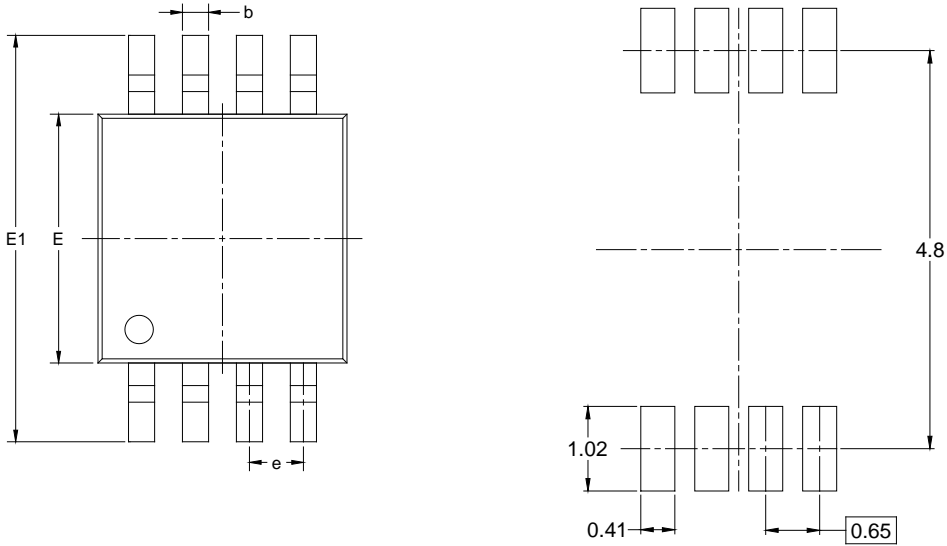


Symbol	Dimensions In Millimeters		Dimensions In Inches	
	MIN	MAX	MIN	MAX
A	1.350	1.750	0.053	0.069
A1	0.100	0.250	0.004	0.010
A2	1.350	1.550	0.053	0.061
b	0.330	0.510	0.013	0.020
c	0.170	0.250	0.006	0.010
D	4.700	5.100	0.185	0.200
E	3.800	4.000	0.150	0.157
E1	5.800	6.200	0.228	0.244
e	1.27 BSC		0.050 BSC	
L	0.400	1.270	0.016	0.050
θ	0°	8°	0°	8°

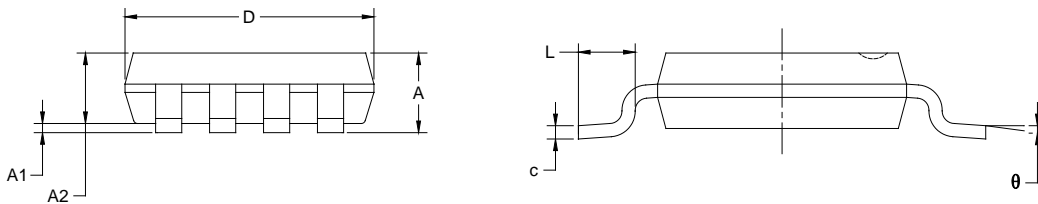
NOTES:
 1. Body dimensions do not include mode flash or protrusion.
 2. This drawing is subject to change without notice.

PACKAGE OUTLINE DIMENSIONS

MSOP-8



RECOMMENDED LAND PATTERN (Unit: mm)



Symbol	Dimensions In Millimeters		Dimensions In Inches	
	MIN	MAX	MIN	MAX
A	0.820	1.100	0.032	0.043
A1	0.020	0.150	0.001	0.006
A2	0.750	0.950	0.030	0.037
b	0.250	0.380	0.010	0.015
c	0.090	0.230	0.004	0.009
D	2.900	3.100	0.114	0.122
E	2.900	3.100	0.114	0.122
E1	4.750	5.050	0.187	0.199
e	0.650 BSC		0.026 BSC	
L	0.400	0.800	0.016	0.031
θ	0°	6°	0°	6°

NOTES:

1. Body dimensions do not include mode flash or protrusion.
2. This drawing is subject to change without notice.

TAPE AND REEL INFORMATION

REEL DIMENSIONS



TAPE DIMENSIONS



NOTE: The picture is only for reference. Please make the object as the standard.

KEY PARAMETER LIST OF TAPE AND REEL

Package Type	Reel Diameter	Reel Width W1 (mm)	A0 (mm)	B0 (mm)	K0 (mm)	P0 (mm)	P1 (mm)	P2 (mm)	W (mm)	Pin1 Quadrant
SOIC-8	13"	12.4	6.40	5.40	2.10	4.0	8.0	2.0	12.0	Q1
MSOP-8	13"	12.4	5.20	3.30	1.50	4.0	8.0	2.0	12.0	Q1

DD0001

PACKAGE INFORMATION

CARTON BOX DIMENSIONS



NOTE: The picture is only for reference. Please make the object as the standard.

KEY PARAMETER LIST OF CARTON BOX

Reel Type	Length (mm)	Width (mm)	Height (mm)	Pizza/Carton
13"	386	280	370	5

DD0002