

ModICE®

ModICE® ME-MX Enclosures

ME and mini-ME USCAR 1.5mm

Technology

ModICE® is a line of connector enclosures that offers sealed packaging solutions for rugged electronic control modules.

The ModICE® ME-MX Advantage

- Standard Cinch ME enclosures
- USCAR 1.50mm interface
- Mates to Molex MX150™ 1.5mm connector

Product Offering

- 2 enclosure sizes
 - ME - PC board size 4 x 3.35" (103 x 85mm)
 - mini-ME - PC board size 3.35 x 2.5" (85mm x 63mm)
- Main connector - 12, 20, 24, 32 or 40 I/O
- Simple module assembly with snap-in header/PCB
- Enclosure remains sealed even when harness connectors are not mated

mini-ME Enclosure



ME Enclosure

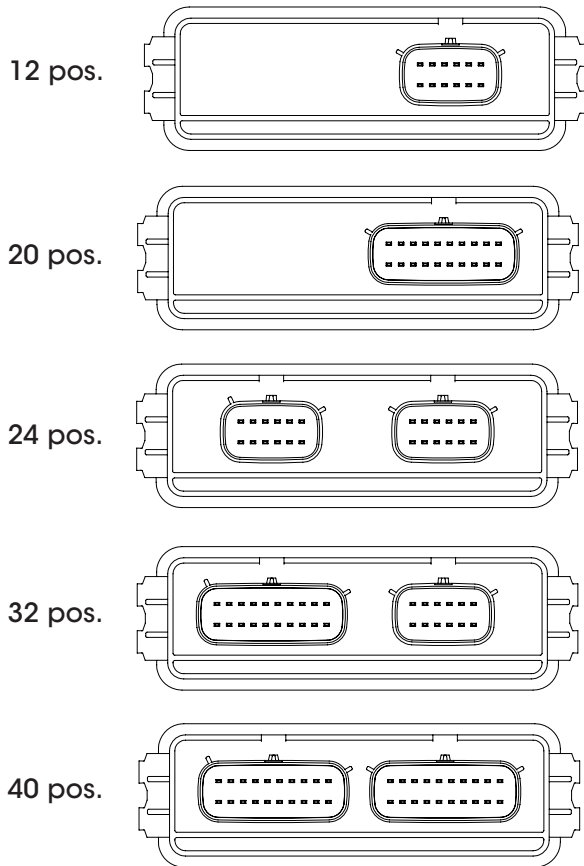


ME-MX Header

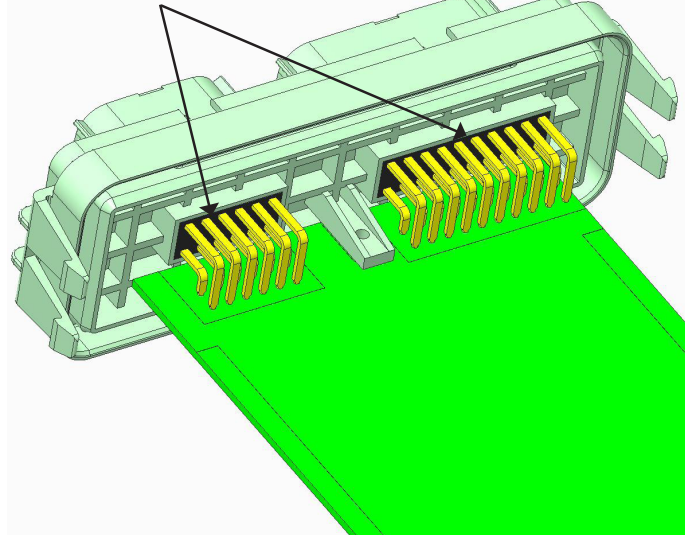


Parts and Configurations

Header I/O Arrangement (Face View)



Epoxy sealed pin fields



Performance Characteristics

Operating temperature	-40°C to +85°C
Sealing	IP67, IP69K
Current carrying capacity (I/O connector)	10 Amps

Application Tooling

5991111652	Closing Tool
5991111440	Opening Tool

Enclosure

5810130090	mini-ME	Standard Enclosure
5810130095	mini-ME	Enclosure with Breather
5810130065	ME	Standard Enclosure
5810130075	ME	Enclosure with Breather

Header

Header	Pos.	Pol.
5810112011	12	12A
5810120011	20	20A
5810124011	24	12A + 12B
5810132011	32	20B + 12A
5810140011	40	20B + 20A

Harness Connector Mates

Harness Connector Mates	Pos.	Pol.
Molex 33472-12xx	12	A & B
Molex 33472-20xx	20	A & B



Asia Pacific
+86 21 5442 7668
ccs.asia.sales@as.cinch.com

Europe, Middle East & Africa
+44 (0) 1245 342060
CinchConnectivity@eu.cinch.com

North America
+1 630.705.6000
inquiry@us.cinch.com
belfuse.com/cinch