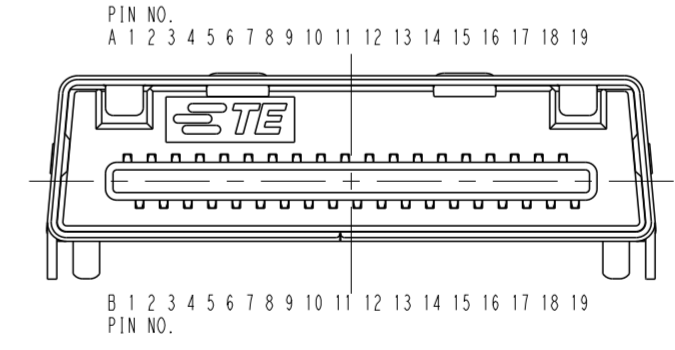
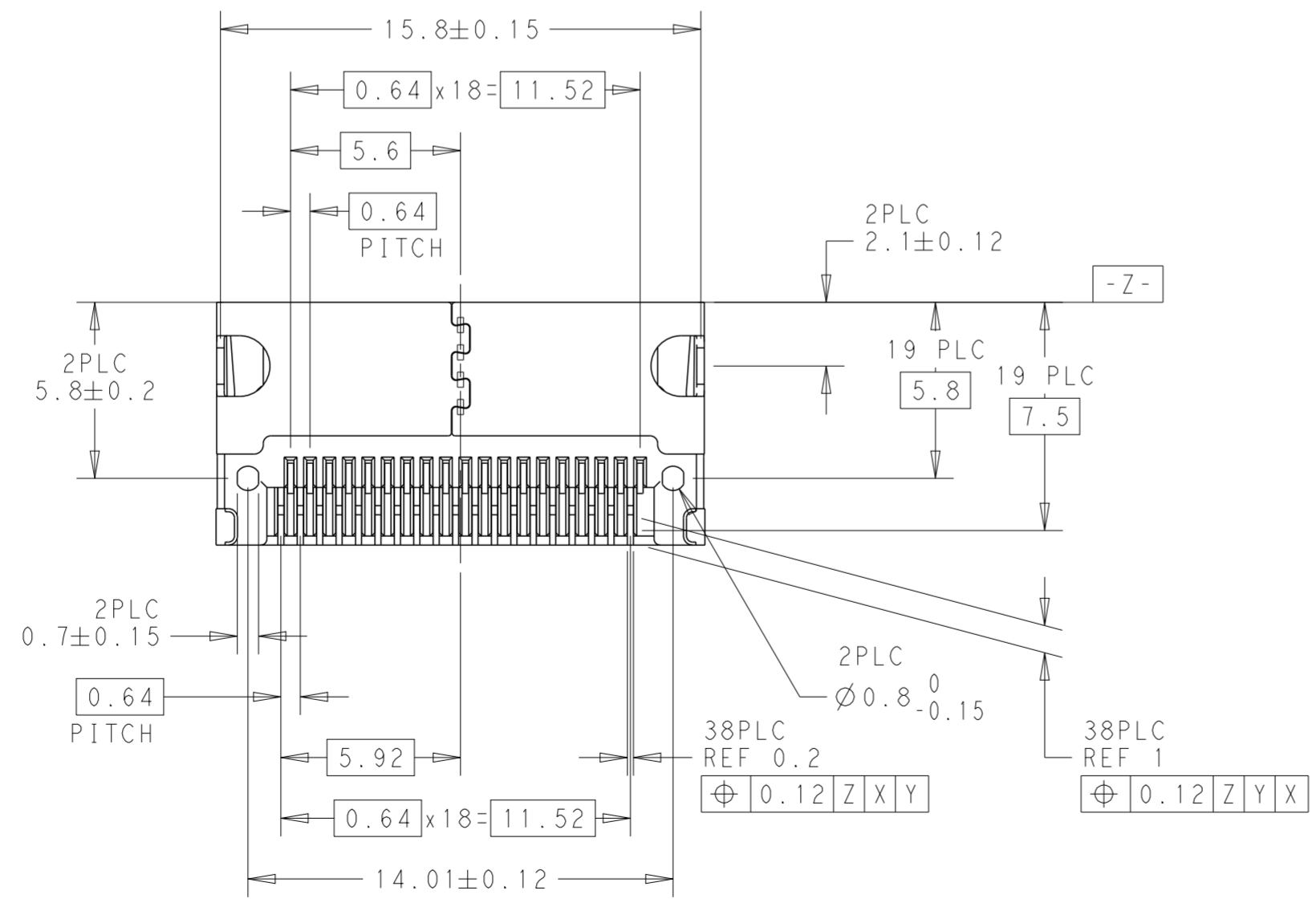
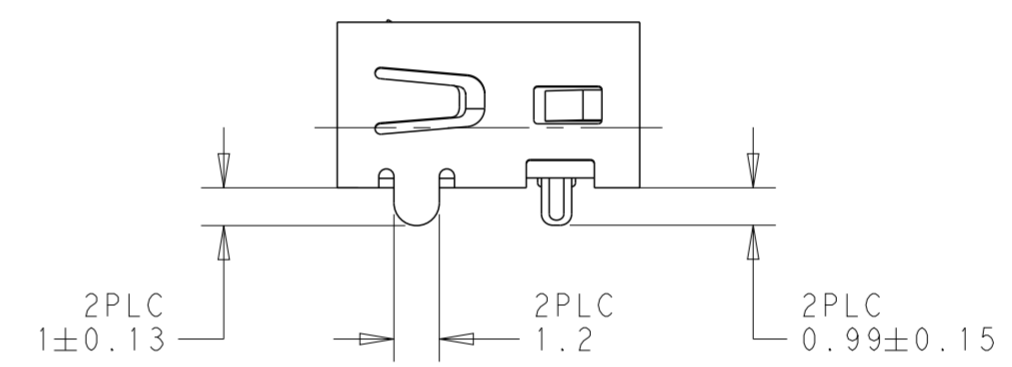
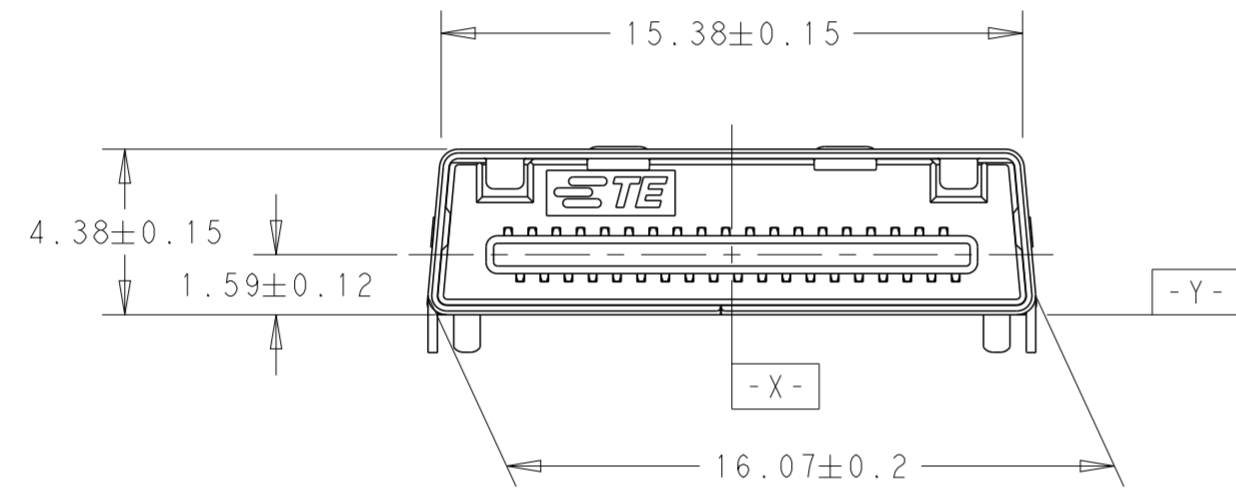
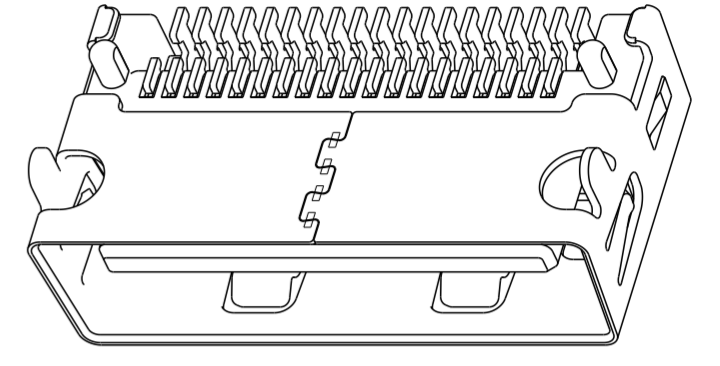
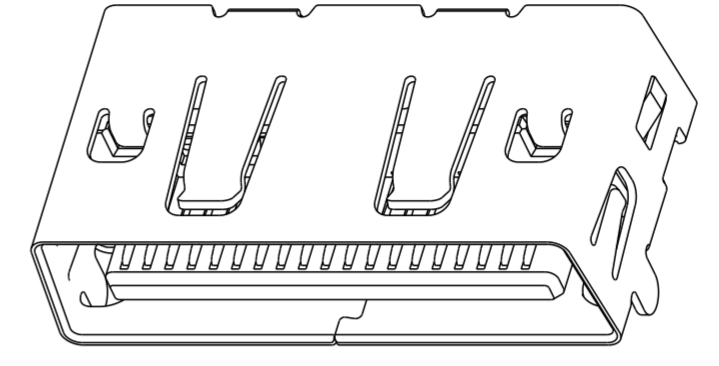
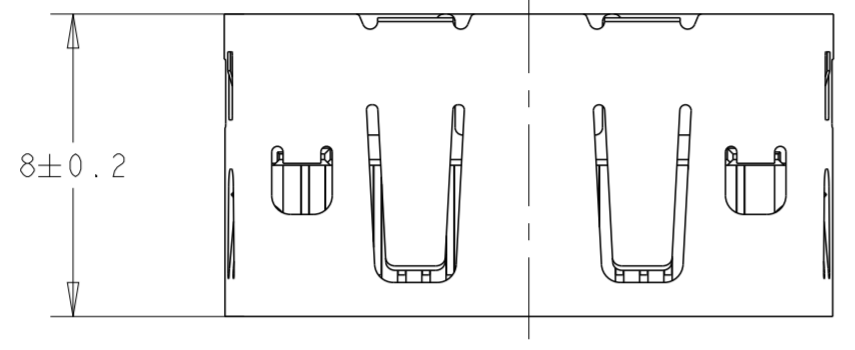


THIS DRAWING IS UNPUBLISHED. RELEASED FOR PUBLICATION 2014
 © COPYRIGHT 2014 BY - ALL RIGHTS RESERVED.

REVISIONS					
P	LTR	DESCRIPTION	DATE	DWN	APVD
A		RELEASED	11MAR2015	Y. S	M. K
A1		REVISED	16MAR2015	Y. S	M. K
B		REVISED	28JAN2016	Y. S	M. K
B1		REVISED	19JUL2021	Y. S	M. K

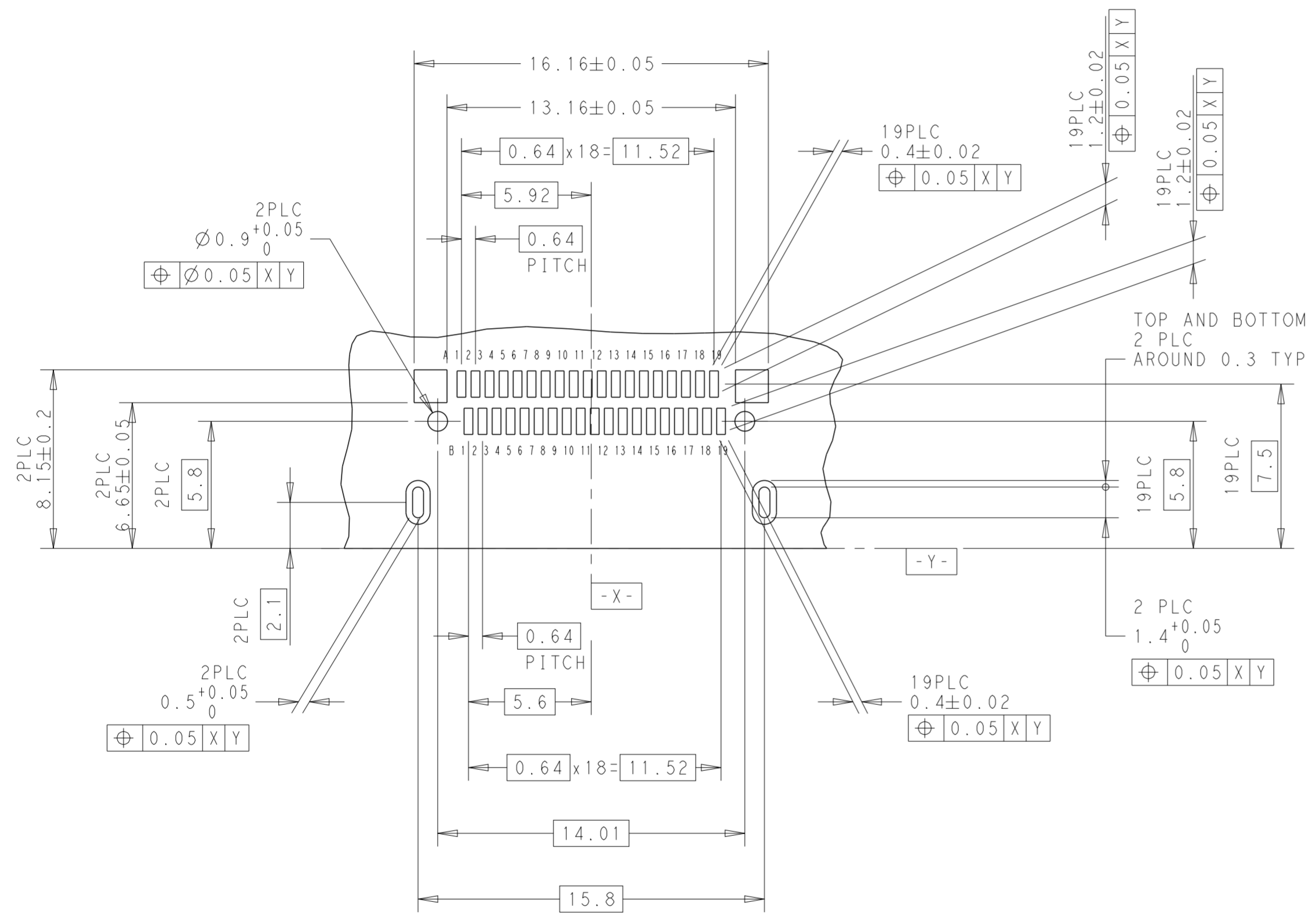
ROHS COMPLIANT



THIS DRAWING IS A CONTROLLED DOCUMENT.		DWN Y. SASAKI 09DEC2013	TE Connectivity	
DIMENSIONS: mm		CHK M. KIMURA 09DEC2013		
TOLERANCES UNLESS OTHERWISE SPECIFIED:		APVD M. KIMURA 09DEC2013	NAME	
0-PLC ±0.15		PRODUCT SPEC	RECEPTACLE CONNECTOR ASSEMBLY	
1-PLC ±0.1		APPLICATION SPEC	HASAKI 38P RECEPTACLE CONNECTOR	
2-PLC ±0.01		108-140067	KEEN EDGE CONNECTOR SERIES	
3-PLC ±0.001		WEIGHT 1.02g	SIZE A2	CAGE CODE -
4-PLC ±0.0001		CUSTOMER DRAWING	DRAWING NO. C-2822022	RESTRICTED TO -
ANGLES ±0.5		SCALE 5:1	SHEET 1 OF 2	REV B1
FINISH -				
MATERIAL SEE TABLE 1				

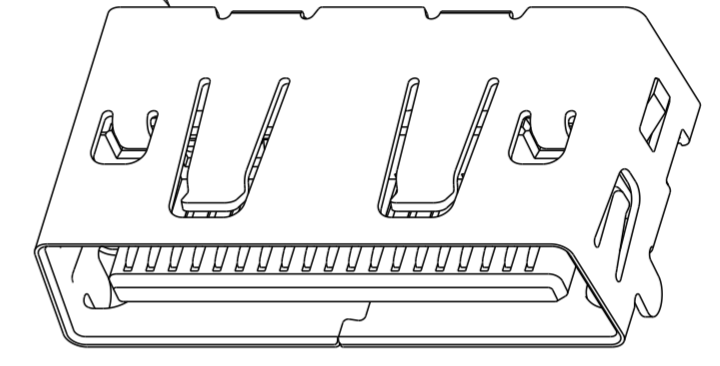
REVISIONS				
P	LTR	DESCRIPTION	DATE	APVD
-		SEE SHEET 1	-	-

RoHS COMPLIANT



RECEPTACLE PCB FOOTPRINT
SCALE 5:1

- ①
- ②
- ③
- ④



- ① USED MATERIAL : SEE TABLE
2. REFLOW OR SPLDERING
 REFLOW CONDITION : AIR REFLOW, TEST PCB BOARD THICKNESS : 1.8 mm MAX.
 PEAK 250°C-255°C, 230°C MIN 30±10sec, 150°C-180°C 90±30sec.

1	RECEPTACLE OUTER SHELL KEEN EDGE CONNECTOR SERIES	PH BRONZE	4
19	RECEPTACLE LOWER CONTACT KEEN EDGE CONNECTOR SERIES	BERYLLIUM COPPER	3
19	RECEPTACLE UPPER CONTACT KEEN EDGE CONNECTOR SERIES	BERYLLIUM COPPER	2
1	RECEPTACLE HOUSING KEEN EDGE CONNECTOR SERIES	LCP BLACK	1
- 1	NAME	MATERIAL	ITEM NO.

THIS DRAWING IS A CONTROLLED DOCUMENT.

DWN Y. SASAKI 09DEC2013	TE Connectivity	NAME		
CHK M. KIMURA 09DEC2013		RECEPTACLE CONNECTOR ASSEMBLY HASAKI 38P RECEPTACLE CONNECTOR KEEN EDGE CONNECTOR SERIES		
APVD M. KIMURA 09DEC2013		SIZE	CAGE CODE	DRAWING NO
PRODUCT SPEC 108-140067		A2	-	G-2822022
MATERIAL SEE TABLE	WEIGHT 1.02g	SCALE 5:1	RESTRICTED TO -	
	CUSTOMER DRAWING	SHEET 2 OF 2	REV B1	