

Surface Mount Attenuator
10 Watts, 20dB



Features:

- RoHS Compliant
- 10 Watts
- Low Cost
- DC – 6.0GHz
- AlN Ceramic
- Non-Nichrome Resistive Element
- Low VSWR
- 100% Tested

Description:

The XRA10AA20SES is a high performance Aluminum Nitride (AlN) chip attenuator intended as a cost competitive alternative to Beryllium Oxide (BeO). It is designed particularly for LTE and 5G wireless communication frequency bands. The high power handling makes the part ideal for inter-stage matching, directional couplers, and for use in isolators. The attenuator is also RoHS compliant!

General Specifications:

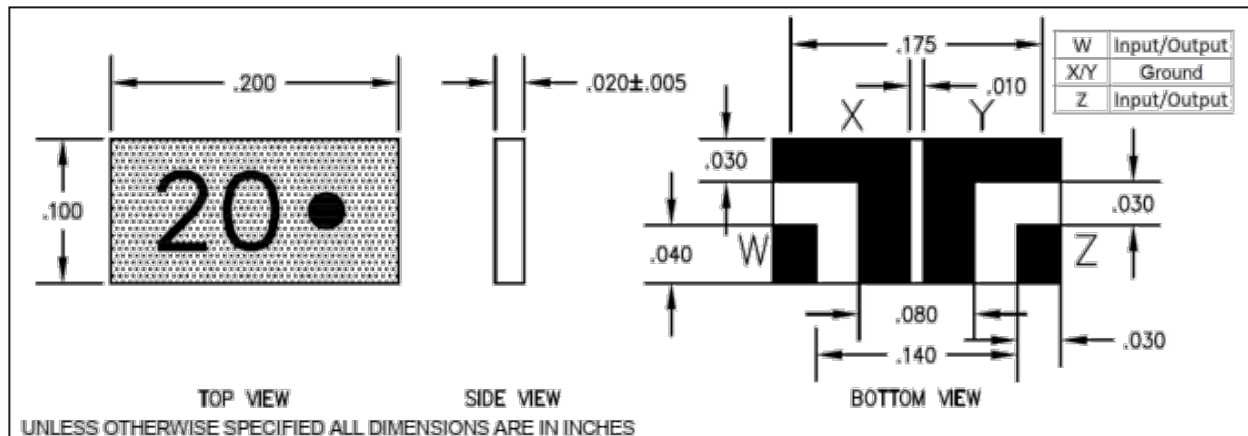
Resistive Element	Thick film
Substrate	AlN Ceramic
Terminal Finish	Matte Tin over Nickel Barrier
Operating Temperature	-55 to +150°C (see de rating chart)

Electrical Specifications:

Attenuation Value:	20dB ±1.0 dB
Power:	10 Watts
Frequency Range:	DC – 6.0GHz
Input Return Loss:	20dB DC - 5.0GHz 18dB 5.0 – 6.0GHz

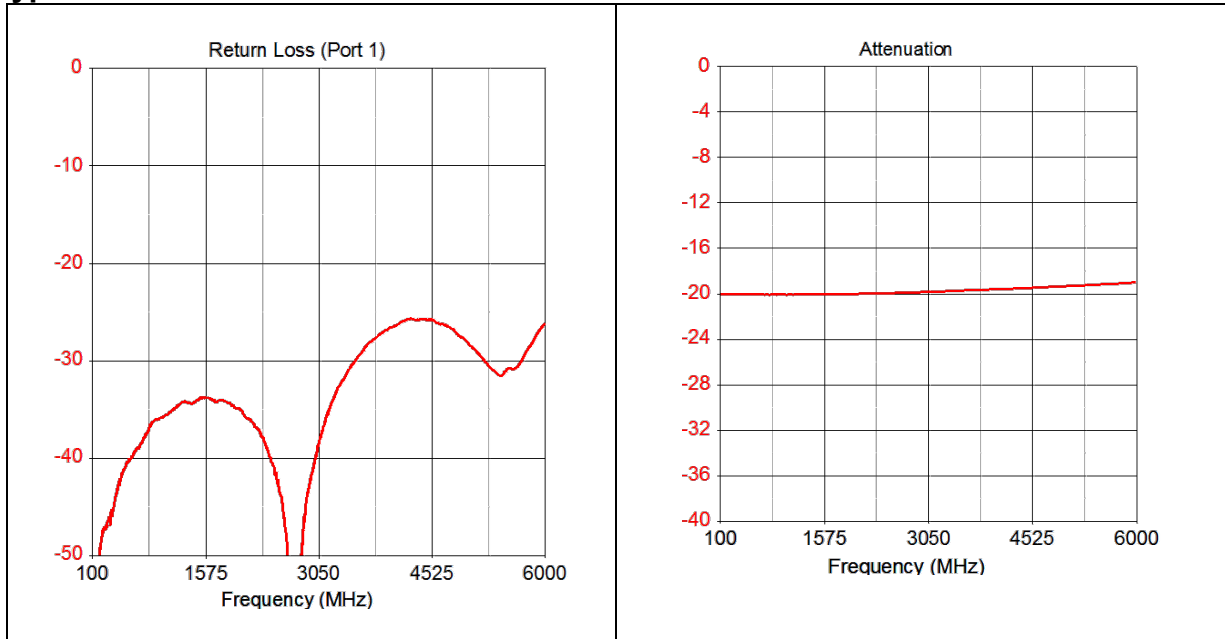
Specification based on unit properly installed using suggested mounting instructions and a 50 ohm nominal impedance. **Specifications subject to change.**

Outline Drawing:

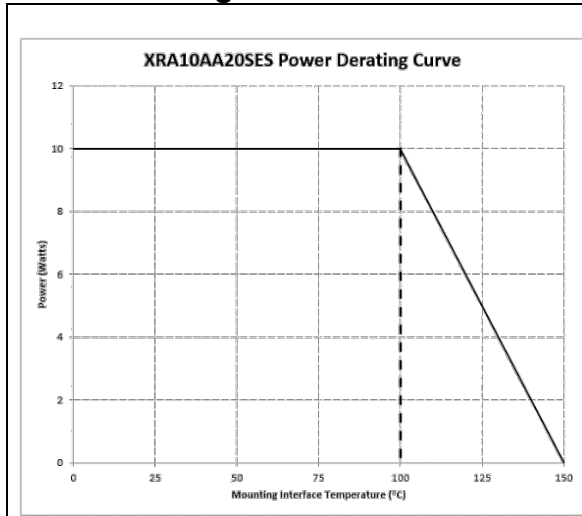


Tolerance is ±0.010", unless otherwise specified. Designed to meet or exceed applicable portions of MIL-E-5400. **All dimensions in inches.**

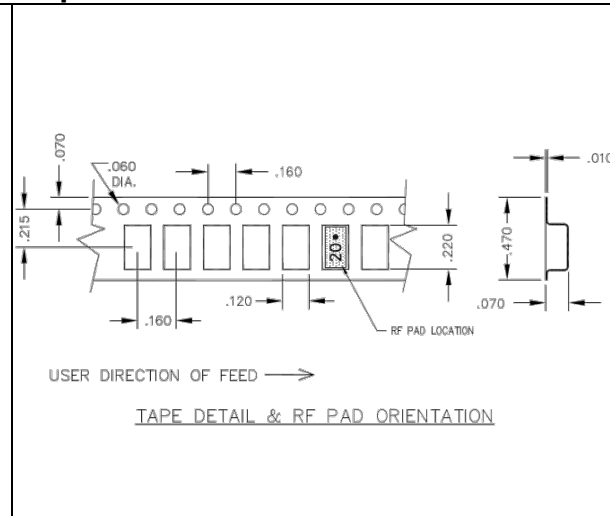
Typical Performance:



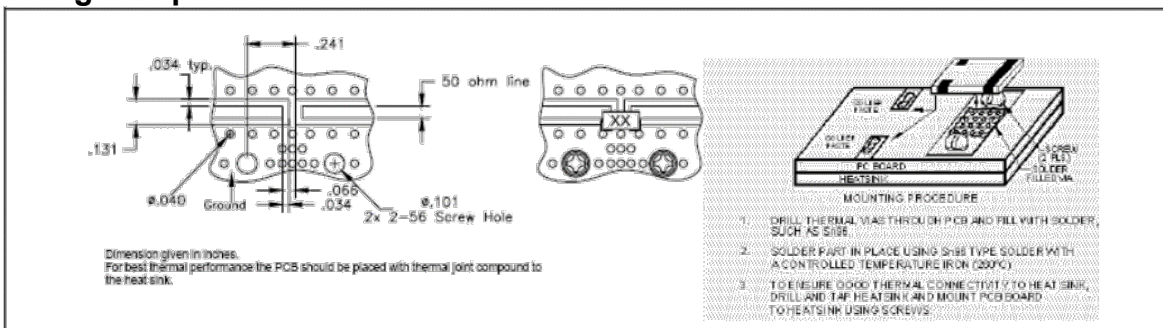
Power de-rating:



Tape & Reel:



Mounting Footprint:



Contact us:
rf&s_support@ttm.com