

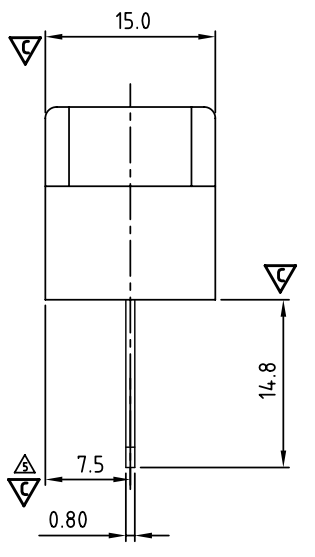
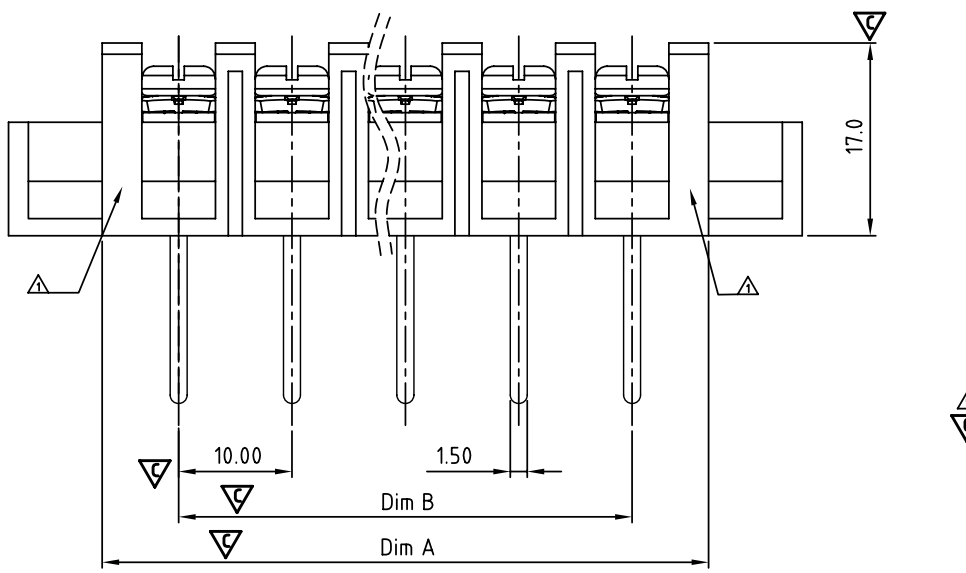
N=Number of contacts
Dimension A&B&C

DIM A	$N \times 10 + 3.5$
DIM B	$(N-1) \times 10$
DIM C	$(N+2) \times 10.0$

Poles	Tol.	Dim A&B&C
4p		± 0.20
5-10p		± 0.30
11-24p		± 0.40
25-30p		± 0.50

SIGN	DATE	DESCRIPTION	APPROVER
△	3/30'09	Structure changed	JODY
△	3/30'09	Temperature changed from $-40 \sim 105^{\circ}\text{C}$ to $-40 \sim 115^{\circ}\text{C}$	JODY
△	11/13'12	Change the screw plating specification	Jacky
△	11/13'12	Change the dimensional tolerance	Jacky
△	11/13'12	Add the dimensional label	Jacky

THIS IS CAD DRAWING, DO NOT REVISE MANUALLY!!!



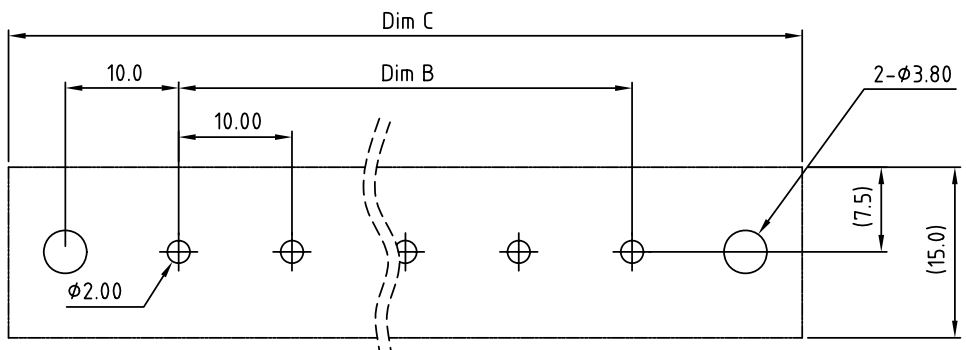
MATERIALS ELECTRICAL
 RATED VOLTAGE & CURRENT: 300 V, 20 A
 WITHSTAND VOLTAGE: AC 2000 V/Min
 INSULATION RESISTANCE: 1000 MΩ OR MORE AT DC 500 V
 OPERATING TEMPERATURE RANG: $\Delta -40^{\circ}\text{C} \sim +115^{\circ}\text{C}$
 SCREW TORQUE VALUE: 12Lb-In.
 WIRE RANGE: 22 - 12 AWG
 1) MOLDED PARTS: Thermoplastic, UL 94 V-0 BLACK
 2) TERMINAL: BRASS, 0.8t, Tin PLATED
 3) TERMINAL SCREWS: STEEL, M3.5

APPROVAL: us
 PART No.:
 Critical dimension: ∇

YK 602 xx 3x x 00G

NO. OF POLES
 04: 4 POLES
 05: 5 POLES
 06: 6 POLES
 ...
 30: 30 POLES

G:RoHS compliant(lead<4%
 in copper alloy
 MARK
 0: "@ " MARK
 1: "ANY " MARK
 ...
 TERMINAL & SCREW PLATED
 0: TERMINAL & SCREW: G/F
 △ 1: TERMINAL: G/F, SCREW: Zinc
 2: TERMINAL: Sn, SCREW: G/F
 △ 3: TERMINAL: Sn, SCREW: Zinc



ANYTEK				CUSTOMER COPY			
ALL RIGHTS RESERVED. REPRODUCTION OR ISSUE TO THIRD PARTIES IN ANY FORM WHATSOEVER IS NOT PERMITTED WITHOUT WRITTEN AUTHORITY FROM THE PROPRIETOR. PROPERTY OF ANYTEK TECHNOLOGY CO., LTD							
TITLE		YK-602 With Flange&W/O Cover Series(4-30P)					
PART NO.		YK602xx3xx00G		DWG NO.		8YK0003-602	
APPROVED		CHECKED		DESIGNED		DRAWN	
				Jacky 2012.11.13		Jacky 2012.11.13	
				CUST NO.		Tolerance	
						X. ± 0.50	
						X.X ± 0.30	
						X.XX ± 0.10	
						X° $\pm 1^{\circ}$	
				SHEET: 01/01		REV.: D	

Mouser Electronics

Authorized Distributor

Click to View Pricing, Inventory, Delivery & Lifecycle Information:

Amphenol:

[YK6020233000G](#) [YK6020333000G](#) [YK6020433000G](#) [YK6020533000G](#) [YK6020633000G](#) [YK6020733000G](#)
[YK6020833000G](#) [YK6020933000G](#) [YK6021033000G](#) [YK6021133000G](#) [YK6021233000G](#) [YK6021333000G](#)
[YK6021433000G](#) [YK6021533000G](#) [YK6021633000G](#) [YK6021733000G](#) [YK6021833000G](#) [YK6021933000G](#)
[YK6022033000G](#) [YK6022133000G](#) [YK6022233000G](#) [YK6022333000G](#) [YK6022433000G](#) [YK6022533000G](#)
[YK6022633000G](#) [YK6022733000G](#) [YK6022833000G](#) [YK6022933000G](#) [YK6023033000G](#)