

# ELR H5-IES-PT/500AC-3-IFS - Hybrid motor starter



2905139

<https://www.phoenixcontact.com/us/products/2905139>

Please be informed that the data shown in this PDF document is generated from our online catalog. Please find the complete data in the user documentation. Our general terms of use for downloads are valid.



Networkable hybrid motor starter for reversing 3~ AC motors up to 500 V AC and 3 A output current, with adjustable overload shutdown, emergency stop function to SIL 3 / PL e and push-in connection, DIN rail connector provided.

## Your advantages

- 22.5 mm wide
- Safety level in accordance with IEC 61508-1: SIL 3, ISO 13849: PL e
- Reduction in wiring
- Space saving
- Long service life
- 3-phase loop bridges
- Adjustable current for bimetal function
- Low-wear switching

## Commercial data

Item number	2905139
Packing unit	1 pc
Minimum order quantity	1 pc
Sales key	C478
Product key	CK7432
Catalog page	Page 24 (C-5-2019)
GTIN	4046356919548
Weight per piece (including packing)	309.3 g
Weight per piece (excluding packing)	282.7 g
Customs tariff number	85371098
Country of origin	DE

# ELR H5-IES-PT/500AC-3-IFS - Hybrid motor starter



2905139

<https://www.phoenixcontact.com/us/products/2905139>

## Technical data

### Product properties

Product type	Hybrid motor starters
Product family	CONTACTRON
Operating mode	100% operating factor

### Electrical properties

Number of phases	3
Motor starter type	Reversing starter
Maximum power dissipation for nominal condition	2.5 W
Switching frequency	≤ 2 Hz (Load-dependent)
Maximum power dissipation	4.1 W
Minimum power dissipation	0.88 W
Coordination type	1

### Supply

Rated control circuit supply voltage $U_S$	24 V DC
Control supply voltage range	19.2 V DC ... 30 V DC
Rated control supply current $I_S$	60 mA
Protective circuit	Surge protection
	Reverse polarity protection

### Insulation characteristics

Rated insulation voltage	550 V
Rated surge voltage	6 kV
Overvoltage category	III
Degree of pollution	2
Insulation characteristics between the control input and control supply voltage, and auxiliary circuit to the main circuit	Safe isolation (IEC 60947-1)
Isolation characteristics between the control input and control supply voltage to auxiliary circuit	Safe isolation (IEC 60947-1) in the auxiliary circuit ≤ 300 V AC

### Emergency tripping

Operate threshold	> 33 A
Response time	< 0.5 s

### Input data

#### Control

Input name	Enable input
Note	The enable input is compatible with signals with blanking (semiconductor output signals with test pulse with max. 3 ms duration), unblanking pulses of max. 4 ms are tolerated without adversely affecting the safety function.
Rated actuating voltage $U_C$	24 V DC

# ELR H5-IES-PT/500AC-3-IFS - Hybrid motor starter



2905139

<https://www.phoenixcontact.com/us/products/2905139>

Triggering voltage range	19.2 V DC ... 30 V DC
Rated actuating current $I_C$	7 mA
Switching threshold	9.6 V ("0" signal) 19.2 V ("1" signal)
Switching level	< 5 V DC (For EMERGENCY STOP)
Typical turn-off time	< 30 ms
Protective circuit	Reverse polarity protection

## Output data

### AC output

Rated operating voltage $U_e$	500 V AC
Operating voltage range	42 V AC ... 550 V AC
Rated operating current $I_e$	3 A (AC-51) 3 A (AC-53a)
Mains frequency	50/60 Hz
Load current range	180 mA ... 3 A (see to derating)
Trigger characteristic in acc. with IEC 60947-4-2	Class 10
Cooling time	20 min. (for auto reset)
Leakage current	0 mA
Protective circuit	Surge protection; Varistor

## Connection data

### Control circuits

Connection method	Push-in connection
Stripping length	10 mm
Conductor cross section rigid	0.2 mm <sup>2</sup> ... 2.5 mm <sup>2</sup>
Conductor cross section flexible	0.2 mm <sup>2</sup> ... 2.5 mm <sup>2</sup>
Conductor cross section AWG	24 ... 14

### Load circuit

Connection method	Push-in connection
Stripping length	10 mm
Conductor cross section rigid	0.2 mm <sup>2</sup> ... 2.5 mm <sup>2</sup>
Conductor cross section flexible	0.2 mm <sup>2</sup> ... 2.5 mm <sup>2</sup>
Conductor cross section AWG	24 ... 14

## Signaling

Status display	Yellow LED
Operating voltage display	Green LED
Error indication	Red LED

## Dimensions

Width	22.5 mm
Height	107.5 mm

# ELR H5-IES-PT/500AC-3-IFS - Hybrid motor starter



2905139

<https://www.phoenixcontact.com/us/products/2905139>

Depth	114 mm
-------	--------

## Material specifications

Flammability rating according to UL 94	V0 (Housing)
--	--------------

## Environmental and real-life conditions

### Ambient conditions

Degree of protection	IP20
Ambient temperature (operation)	-5 °C ... 60 °C (observe derating)
Ambient temperature (storage/transport)	-40 °C ... 80 °C
Altitude	≤ 2000 m

## Approvals

### UKCA

Certificate	UKCA-compliant
-------------	----------------

### ATEX

Identification	⊕ II (2) G [Ex eb] [Ex db] [Ex pxb] ⊕ II (2) D [Ex tb] [Ex pb]
Certificate	PTB 15 ATEX 3000

### UL approval

Certificate	NLDX.E228652 NRNT.E172140
-------------	------------------------------

### Safety Integrity Level (SIL, IEC 61508)

Identification	≤ 3
Note	Safe shutdown

### Safety Integrity Level (SIL, IEC 61508)

Identification	2
Note	Motor protection

### Performance Level (ISO 13849)

Identification	e
Note	Safe shutdown

### Category (ISO 13849)

Identification	≤ 3
Note	Safe shutdown

### UL data

SCCR	100 kA (480 V AC (fuse: 30 A class CC/30 A class J (high fault)))
	5 kA (480 V AC (fuse: 20 A RK5 (standard fault)))
FLA	3 A (480 V AC)
Group installation	20 A (class RK5, SCCR 5kA (480 V AC), #24 - 14 AWG max. solid and stranded)

# ELR H5-IES-PT/500AC-3-IFS - Hybrid motor starter



2905139

<https://www.phoenixcontact.com/us/products/2905139>

	30 A (class CC or J, SCCR 100kA (480 V AC), #24 - 14 AWG max, solid and stranded)
Category code	NLDX / NRNT
Horsepower ratings	0.5 hp (208 V AC)
	0.5 hp (230 V AC)
	0.5 hp (240 V AC)
	1.5 hp (480 V AC)

## Standards and regulations

### Standards/regulations

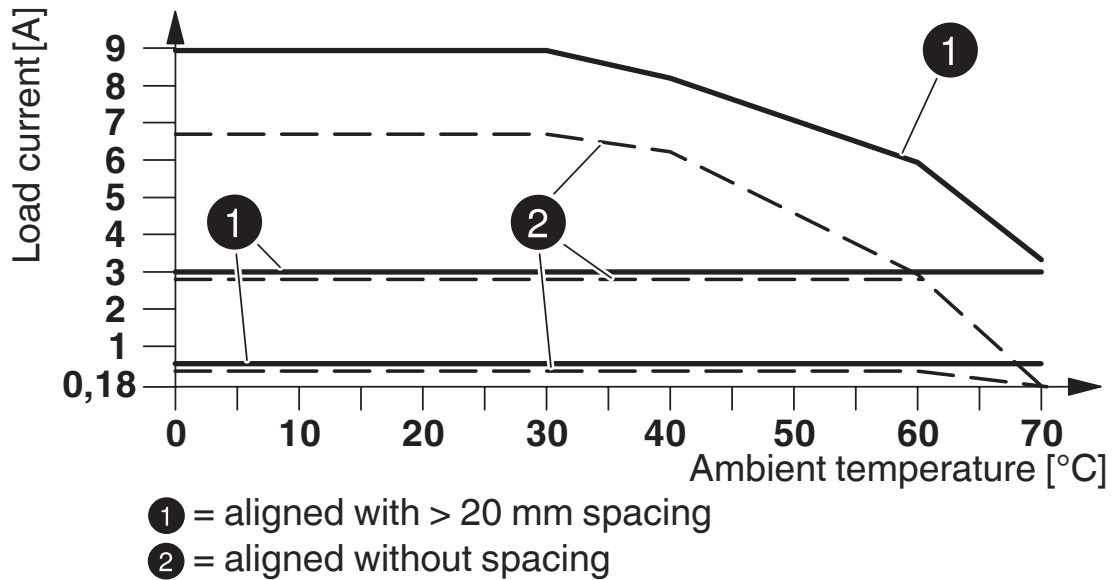
Standards/regulations	IEC 60947-1
	EN 60947-4-2
	IEC 61508
	ISO 13849

## Mounting

Mounting type	DIN rail mounting
Assembly note	alignable, for spacing see derating
Mounting position	vertical (horizontal DIN rail, motor output below)

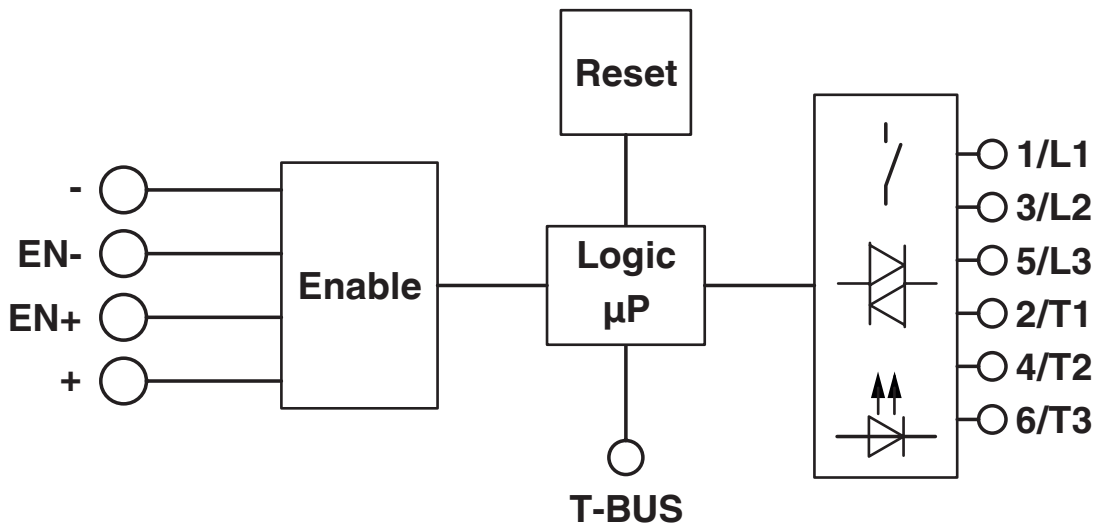
Drawings

Diagram



Derating diagram

Block diagram



2905139

<https://www.phoenixcontact.com/us/products/2905139>

## Approvals

To download certificates, visit the product detail page: <https://www.phoenixcontact.com/us/products/2905139>



**IECEE CB Scheme**

Approval ID: DE1-60807



**EAC**

Approval ID: RU\*C-DE.\*08.B.00520\*



**UL Listed**

Approval ID: FILE E 172140



**CCC**

Approval ID: 2016010304900298



**cUL Listed**

Approval ID: FILE E 172140



**cUL Listed**

Approval ID: FILE E 228652



**UL Listed**

Approval ID: FILE E 228652



**ATEX**

Approval ID: PTB 15 ATEX 3000

# ELR H5-IES-PT/500AC-3-IFS - Hybrid motor starter



2905139

<https://www.phoenixcontact.com/us/products/2905139>

## Classifications

### ECLASS

ECLASS-11.0	27370905
ECLASS-13.0	27370905
ECLASS-12.0	27370905

### ETIM

ETIM 9.0	EC001037
----------	----------

### UNSPSC

UNSPSC 21.0	25173900
-------------	----------



2905139

<https://www.phoenixcontact.com/us/products/2905139>

## Environmental product compliance

### EU RoHS

Fulfills EU RoHS substance requirements	Yes
Exemption	7(a), 7(c)-I

### China RoHS

Environment friendly use period (EFUP)	EFUP-50
	An article-related China RoHS declaration table can be found in the download area for the respective article under "Manufacturer declaration". For all articles with EFUP-E, no China RoHS declaration table issued and required.

### EU REACH SVHC

REACH candidate substance (CAS No.)	Lead(CAS: 7439-92-1)
SCIP	5569f02f-f4ee-4fc8-8617-ac451cfb17a7

# ELR H5-IES-PT/500AC-3-IFS - Hybrid motor starter



2905139

<https://www.phoenixcontact.com/us/products/2905139>

## Mandatory accessories

### EM-PB-GATEWAY-IFS - Data interface

2297620

<https://www.phoenixcontact.com/us/products/2297620>



Gateway for the connection of up to 32 INTERFACE system devices to a higher-level controller via PROFIBUS DP. The INTERFACE system devices are connected to the Gateway via DIN rail connectors, the DIN rail connectors are provided.

---

### EM-CAN-GATEWAY-IFS - Data interface

2901504

<https://www.phoenixcontact.com/us/products/2901504>



Gateway for the connection of up to 32 INTERFACE system devices to a higher-level controller via CANopen®. The INTERFACE system devices are connected to the Gateway via DIN rail connectors, the DIN rail connectors are provided.

# ELR H5-IES-PT/500AC-3-IFS - Hybrid motor starter



2905139

<https://www.phoenixcontact.com/us/products/2905139>

## EM-MODBUS-GATEWAY-IFS - Data interface

2901528

<https://www.phoenixcontact.com/us/products/2901528>



Gateway for the connection of up to 32 INTERFACE system devices via Modbus/TCP to a higher-level controller. The INTERFACE system devices are connected to the Gateway via DIN rail connectors, the DIN rail connectors are provided.

---

## EM-PNET-GATEWAY-IFS - Data interface

2904472

<https://www.phoenixcontact.com/us/products/2904472>



Gateway for the connection of up to 32 INTERFACE system devices via PROFINET to a higher-level controller. The INTERFACE system devices are connected to the Gateway via DIN rail connectors, the DIN rail connectors are provided.

# ELR H5-IES-PT/500AC-3-IFS - Hybrid motor starter



2905139

<https://www.phoenixcontact.com/us/products/2905139>

## EM-ETH-GATEWAY-IFS - Data interface

2901988

<https://www.phoenixcontact.com/us/products/2901988>



Gateway for the connection of up to 32 INTERFACE system devices to a higher-level controller via EtherNet/IP™. The INTERFACE system devices are connected to the Gateway via DIN rail connectors, the DIN rail connectors are provided.

---

## EM-PSAFE-GATEWAY-IFS - Data interface

1188207

<https://www.phoenixcontact.com/us/products/1188207>



Gateway for connecting up to 15 INTERFACE system devices to a higher-level secure controller via PROFIsafe. The system devices are connected to the gateway via DIN rail connectors. The DIN rail connectors are provided.

---

## Accessories

# ELR H5-IES-PT/500AC-3-IFS - Hybrid motor starter



2905139

<https://www.phoenixcontact.com/us/products/2905139>

## BRIDGE-PT 1 - Bridge

1161777

<https://www.phoenixcontact.com/us/products/1161777>

3-phase loop bridge for 1 CONTACTRON module, with Push-in connection and 22.5 mm housing width, connecting cable: 3 m



---

## BRIDGE-PT 2 - Bridge

2904490

<https://www.phoenixcontact.com/us/products/2904490>

3-phase loop bridge for 2 CONTACTRON modules, with Push-in connection and 22.5 mm housing width, connecting cable: 3 m



# ELR H5-IES-PT/500AC-3-IFS - Hybrid motor starter



2905139

<https://www.phoenixcontact.com/us/products/2905139>

## BRIDGE-PT 3 - Bridge

2904491

<https://www.phoenixcontact.com/us/products/2904491>

3-phase loop bridge for 3 CONTACTRON modules, with Push-in connection and 22.5 mm housing width, connecting cable: 3 m



---

## BRIDGE-PT 4 - Bridge

2904492

<https://www.phoenixcontact.com/us/products/2904492>

3-phase loop bridge for 4 CONTACTRON modules, with Push-in connection and 22.5 mm housing width, connecting cable: 3 m



# ELR H5-IES-PT/500AC-3-IFS - Hybrid motor starter



2905139

<https://www.phoenixcontact.com/us/products/2905139>

## BRIDGE-PT 5 - Bridge

2904493

<https://www.phoenixcontact.com/us/products/2904493>

3-phase loop bridge for 5 CONTACTRON modules, with Push-in connection and 22.5 mm housing width, connecting cable: 3 m



---

## BRIDGE-PT 6 - Bridge

2904494

<https://www.phoenixcontact.com/us/products/2904494>

3-phase loop bridge for 6 CONTACTRON modules, with Push-in connection and 22.5 mm housing width, connecting cable: 3 m



# ELR H5-IES-PT/500AC-3-IFS - Hybrid motor starter



2905139

<https://www.phoenixcontact.com/us/products/2905139>

## BRIDGE-PT 7 - Bridge

2904495

<https://www.phoenixcontact.com/us/products/2904495>

3-phase loop bridge for 7 CONTACTRON modules, with Push-in connection and 22.5 mm housing width, connecting cable: 3 m



---

## BRIDGE-PT 8 - Bridge

2904496

<https://www.phoenixcontact.com/us/products/2904496>

3-phase loop bridge for 8 CONTACTRON modules, with Push-in connection and 22.5 mm housing width, connecting cable: 3 m





# ELR H5-IES-PT/500AC-3-IFS - Hybrid motor starter



2905139

<https://www.phoenixcontact.com/us/products/2905139>

## BRIDGE-PT 9 - Bridge

2904497

<https://www.phoenixcontact.com/us/products/2904497>

3-phase loop bridge for 9 CONTACTRON modules, with Push-in connection and 22.5 mm housing width, connecting cable: 3 m



---

## BRIDGE-PT 10 - Bridge

2904498

<https://www.phoenixcontact.com/us/products/2904498>

3-phase loop bridge for 10 CONTACTRON modules, with Push-in connection and 22.5 mm housing width, connecting cable: 3 m



# ELR H5-IES-PT/500AC-3-IFS - Hybrid motor starter



2905139

<https://www.phoenixcontact.com/us/products/2905139>

## BRIDGE-PT 1-1M - Bridge

1161778

<https://www.phoenixcontact.com/us/products/1161778>

3-phase loop bridge for 1 CONTACTRON module, with Push-in connection and 22.5 mm housing width, connecting cable: 1 m



---

## BRIDGE-PT-2-1M - Bridge

1049407

<https://www.phoenixcontact.com/us/products/1049407>

3-phase loop bridge for 2 CONTACTRON modules, with Push-in connection and 22.5 mm housing width, connecting cable: 1 m



# ELR H5-IES-PT/500AC-3-IFS - Hybrid motor starter



2905139

<https://www.phoenixcontact.com/us/products/2905139>

## BRIDGE-PT-3-1M - Bridge

1049408

<https://www.phoenixcontact.com/us/products/1049408>

3-phase loop bridge for 3 CONTACTRON modules, with Push-in connection and 22.5 mm housing width, connecting cable: 1 m



---

## BRIDGE-PT-4-1M - Bridge

1049409

<https://www.phoenixcontact.com/us/products/1049409>

3-phase loop bridge for 4 CONTACTRON modules, with Push-in connection and 22.5 mm housing width, connecting cable: 1 m



# ELR H5-IES-PT/500AC-3-IFS - Hybrid motor starter



2905139

<https://www.phoenixcontact.com/us/products/2905139>

## BRIDGE-PT-5-1M - Bridge

1049413

<https://www.phoenixcontact.com/us/products/1049413>

3-phase loop bridge for 5 CONTACTRON modules, with Push-in connection and 22.5 mm housing width, connecting cable: 1 m



---

## BRIDGE-PT-2-2M/0,3M - Bridge

1107649

<https://www.phoenixcontact.com/us/products/1107649>

3-phase loop bridge for 2 CONTACTRON modules, with Push-in connection and 22.5 mm housing width, cable length between the modules: 0.3 m, connecting cable: 2 m



# ELR H5-IES-PT/500AC-3-IFS - Hybrid motor starter



2905139

<https://www.phoenixcontact.com/us/products/2905139>

## BRIDGE-PT-3-2M/0,3M - Bridge

1107650

<https://www.phoenixcontact.com/us/products/1107650>



3-phase loop bridge for 3 CONTACTRON modules, with Push-in connection and 22.5 mm housing width, cable length between the modules: 0.3 m, connecting cable: 2 m

---

## BRIDGE-PT-4-2M/0,3M - Bridge

1107644

<https://www.phoenixcontact.com/us/products/1107644>



3-phase loop bridge for 4 CONTACTRON modules, with Push-in connection and 22.5 mm housing width, cable length between the modules: 0.3 m, connecting cable: 2 m

# ELR H5-IES-PT/500AC-3-IFS - Hybrid motor starter



2905139

<https://www.phoenixcontact.com/us/products/2905139>

## US-EMLP (15X5) - Plastic label

0828790

<https://www.phoenixcontact.com/us/products/0828790>



Plastic label, Card, white, unlabeled, can be labeled with: BLUEMARK ID COLOR, BLUEMARK ID, THERMOMARK PRIME, THERMOMARK CARD 2.0, THERMOMARK CARD, mounting type: adhesive, lettering field size: 15 x 5 mm, Number of individual labels: 189

---

## UC-EMLP (15X5) - Plastic label

0819301

<https://www.phoenixcontact.com/us/products/0819301>



Plastic label, Sheet, white, unlabeled, can be labeled with: BLUEMARK ID COLOR, BLUEMARK ID, BLUEMARK CLED, PLOTMARK, CMS-P1-PLOTTER, mounting type: adhesive, lettering field size: 15 x 5 mm, Number of individual labels: 10

# ELR H5-IES-PT/500AC-3-IFS - Hybrid motor starter



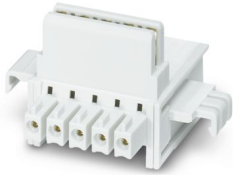
2905139

<https://www.phoenixcontact.com/us/products/2905139>

## ME 22,5 TBUS 1,5/ 5-ST-3,81 GY - DIN rail bus connectors

2201937

<https://www.phoenixcontact.com/us/products/2201937>



DIN rail connector, color: gray, nominal current: 8 A (parallel contacts), rated voltage (III/2): 125 V, number of positions: 5, product range: TBUS5-22,5..., pitch: 3.81 mm, mounting: DIN rail mounting, locking: without, mounting: without, type of packaging: packed in cardboard, Item with gold-plated contacts, bus connectors for connecting with electronics housings, 5 parallel contacts

## EM-D-8/4-24DC-IFS - Extension module

2904473

<https://www.phoenixcontact.com/us/products/2904473>



For more complex applications with Interface system devices (IFS), the extension module offers digital inputs and outputs for processing additional signals in the field. Easy connection to IFS gateway via the DIN rail connector as the slave.

# ELR H5-IES-PT/500AC-3-IFS - Hybrid motor starter



2905139

<https://www.phoenixcontact.com/us/products/2905139>

## QUINT4-SYS-PS/1AC/24DC/2.5/SC - Power supply unit

2904614

<https://www.phoenixcontact.com/us/products/2904614>



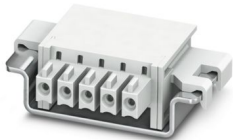
Primary-switched power supply, QUINT POWER, screw connection, DIN rail mounting, supply of devices possible via the TBUS DIN rail connector, protective coating, input: single-phase, output: 24 V DC/2.5 A

---

## ME 22,5 TBUS ADAPTER KMGY - DIN rail bus connectors

2201756

<https://www.phoenixcontact.com/us/products/2201756>



DIN rail bus adapter for ME and ME-MAX, design width: 22.5 mm, 5 parallel positions, color: light gray (similar to RAL 7035)

---

Phoenix Contact 2024 © - all rights reserved  
<https://www.phoenixcontact.com>

Phoenix Contact USA  
586 Fulling Mill Road  
Middletown, PA 17057, United States  
(+717) 944-1300  
[info@phoenixcon.com](mailto:info@phoenixcon.com)