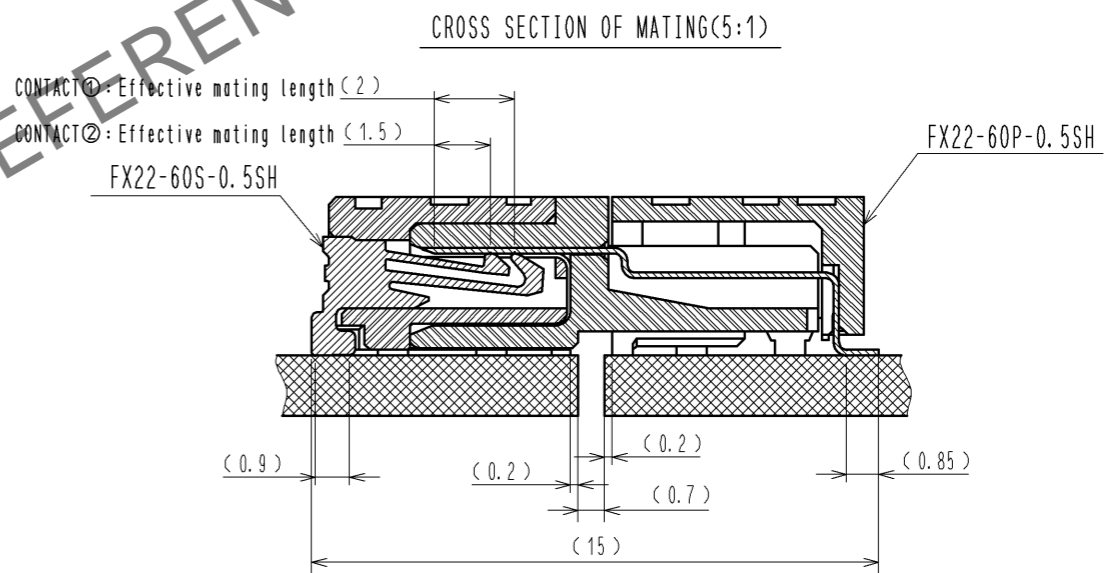
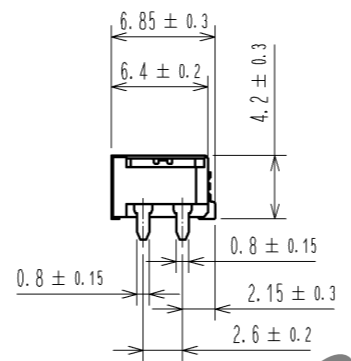
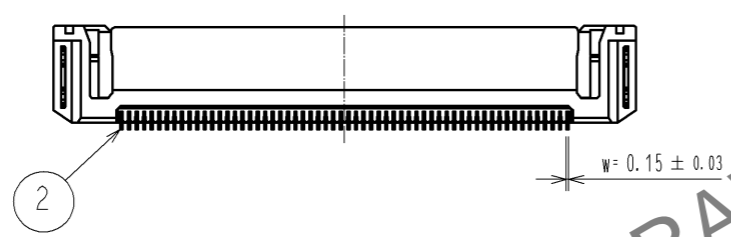
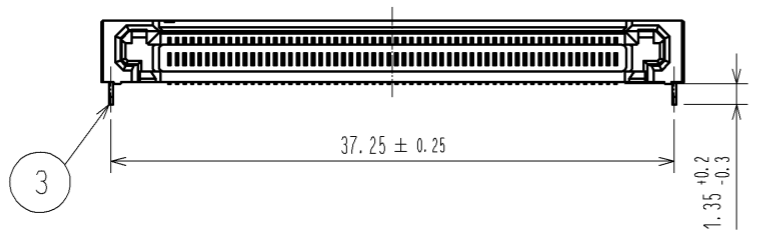
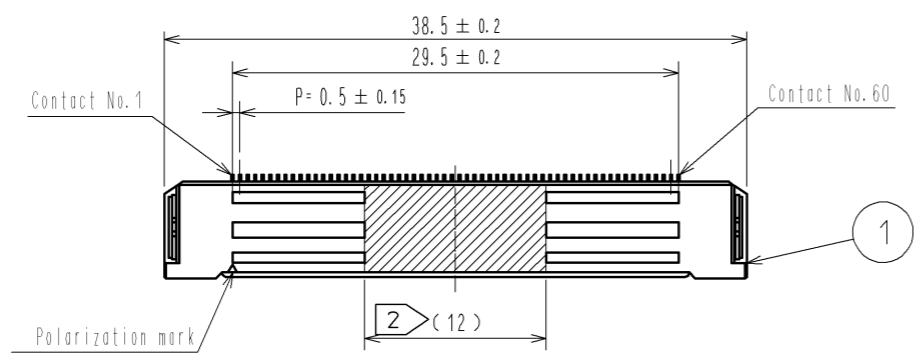
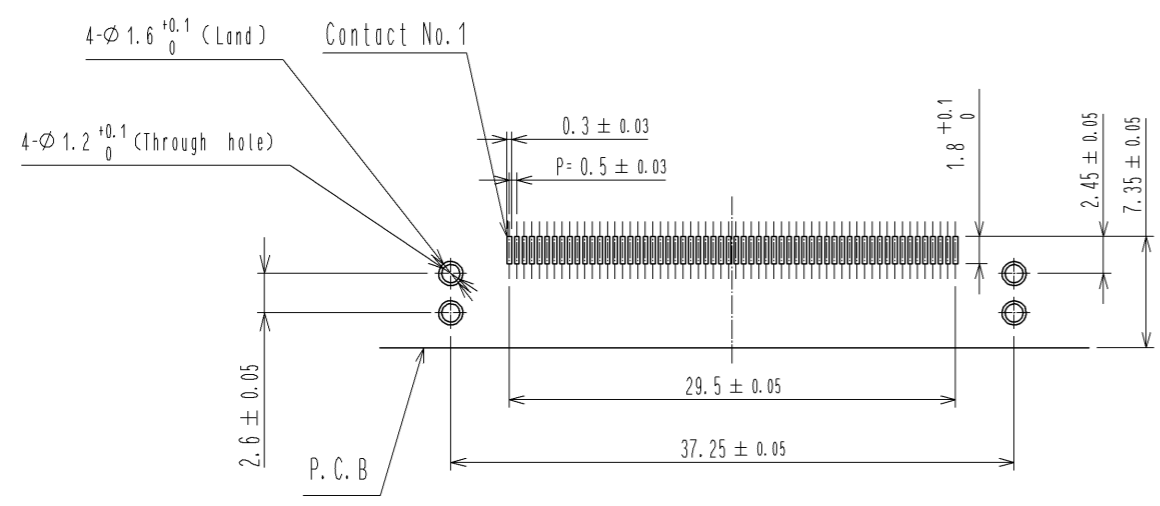


Jun.1.2024 Copyright 2024 HIROSE ELECTRIC CO., LTD. All Rights Reserved.
In case of consideration for using Automotive equipment / device which demand high reliability, kindly contact our sales window correspondents.



RECOMMENDED LAND PATTERN DIMENSION OF PCB
(PCB THICKNESS: t=1.6mm METAL MASK THICKNESS: t=0.12mm)



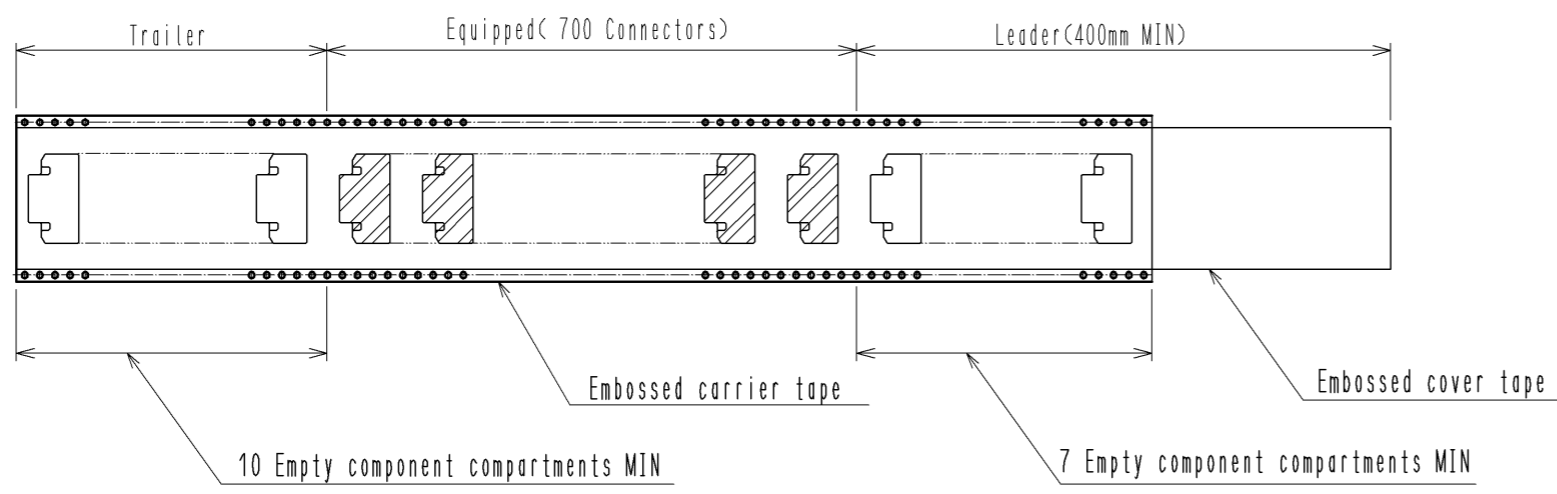
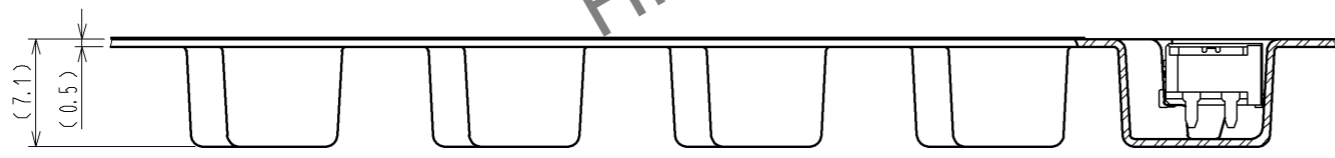
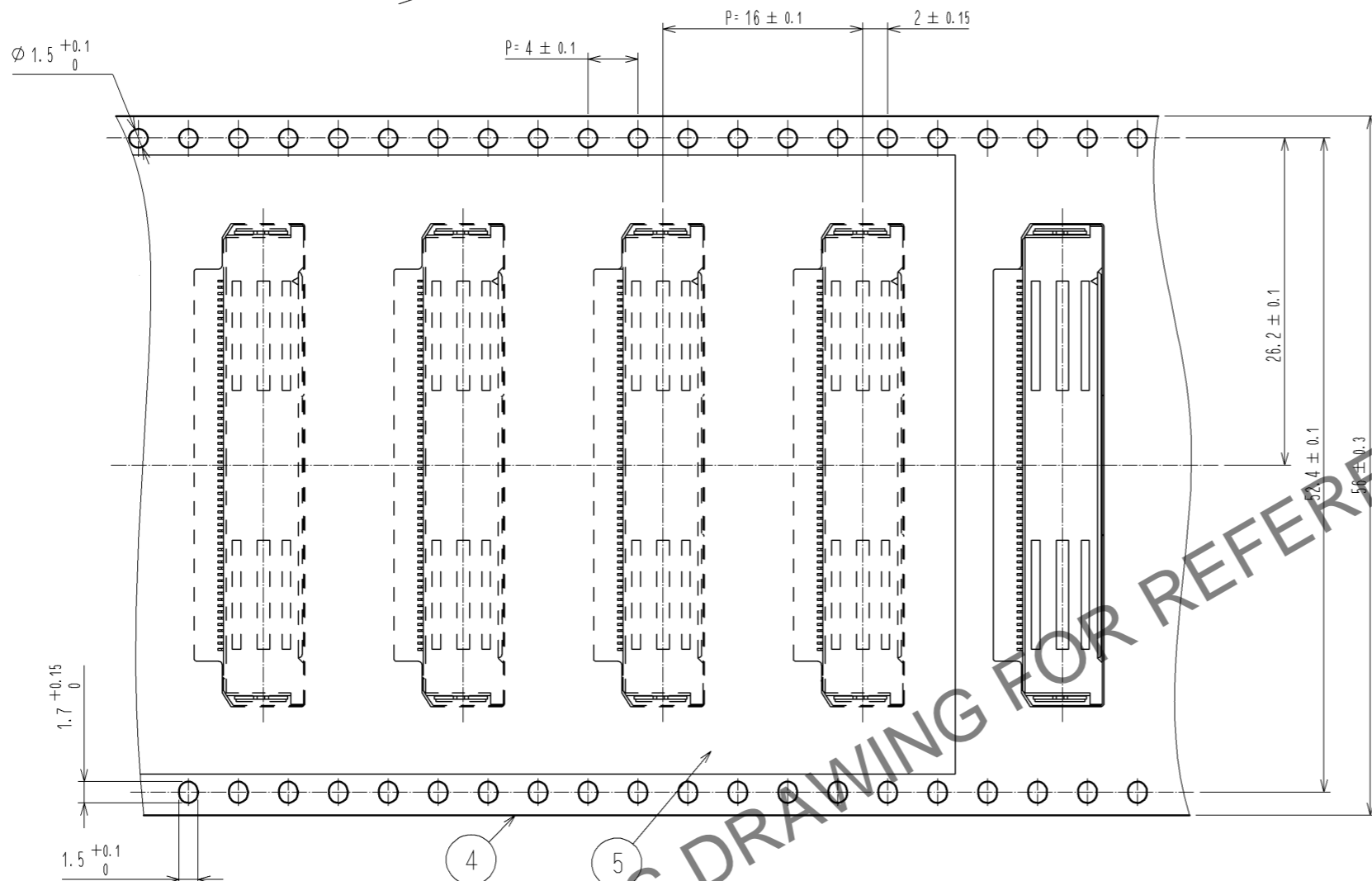
- NOTE 1 Lead CO-Planarity is 0.1mm MAX.
 2 It shows the vacuum pickup area.
 3 Packing for product applies embossed carrier tape packing. (700pcs/RL)
 4 Blemish and hit mark can be occurred through out the manufacturing process which doesn't affect quality level.
 5 The dimensions in parentheses are for references.

| 3 | COPPER ALLOY | CONTACT AREA: GOLD 0.1 μm | 5 | POLYESTER | (EMBOSSSED COVER TAPE) | | | |
|--------------------------------------|--------------|------------------------------|----------|----------------------------|----------------------------|----------|---------|------|
| | | LEAD AREA: GOLD 0.03 μm | 4 | POLYSTYRENE | (EMBOSSSED CARRIER TAPE) | | | |
| | | UNDER PLATING: NICKEL 1.3 μm | 3 | BRASS | TIN-PLATING 3 μm | | | |
| 1 | LCP | BLACK UL94V-0 | | | UNDER PLATING: NICKEL 1 μm | | | |
| NO. | MATERIAL | FINISH . REMARKS | NO. | MATERIAL | FINISH . REMARKS | | | |
| UNITS mm | | SCALE 2 : 1 | | COUNT | DESCRIPTION OF REVISIONS | DESIGNED | CHECKED | DATE |
| HRS HIROSE ELECTRIC CO., LTD. | | APPROVED : HS. OKAWA | 14.07.07 | DRAWING NO. EDC3-352602-00 | | | | |
| | | CHECKED : KN. SHIBUYA | 14.07.07 | PART NO. FX22-60S-0.5SH | | | | |
| | | DESIGNED : AH. EDASHIGE | 14.07.07 | CODE NO. CL572-3102-1-00 | | | | |
| | | DRAWN : AH. EDASHIGE | 14.07.07 | | | | | |

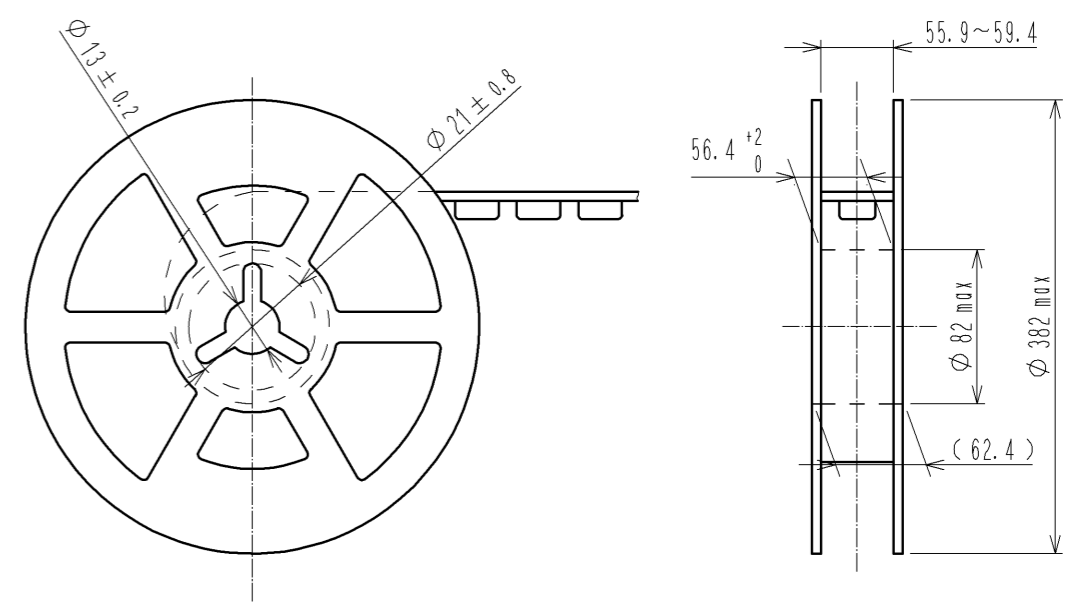
Jun.1.2024 Copyright 2024 HIROSE ELECTRIC CO., LTD. All Rights Reserved.
 In case of consideration for using Automotive equipment / device which demand high reliability, kindly contact our sales window correspondents.

3 DRAWING FOR PACKING

The direction of pulling out →



REELING DIMENSION (No scale)



| | | | |
|------------|-------------|-----------------|-------|
| HRS | DRAWING NO. | EDC3-352602-00 | △ 2/2 |
| | PART NO. | FX22-60S-0.5SH | |
| | CODE NO. | CL572-3102-1-00 | |
| | | | |