



Accessory for 3KF size 1 Direct operating mechanism, red/yellow Can be locked in OFF position with three padlocks

Model	
product brand name	SENTRON
product designation	Accessories for switch disconnectors
design of the product	Direct operating mechanism
suitability for use	For 3KF size 1
color of the actuating element	'red/yellow
product description	Lockable with up to 3 locks

Mechanical Design	
net weight	150 g

Certificates	
reference code	
<ul style="list-style-type: none"> <li>• according to EN 61346-2</li> <li>• according to IEC 81346-2</li> </ul>	<p>Q</p> <p>Q</p>

Approvals Certificates	
General Product Approval	

[Confirmation](#)



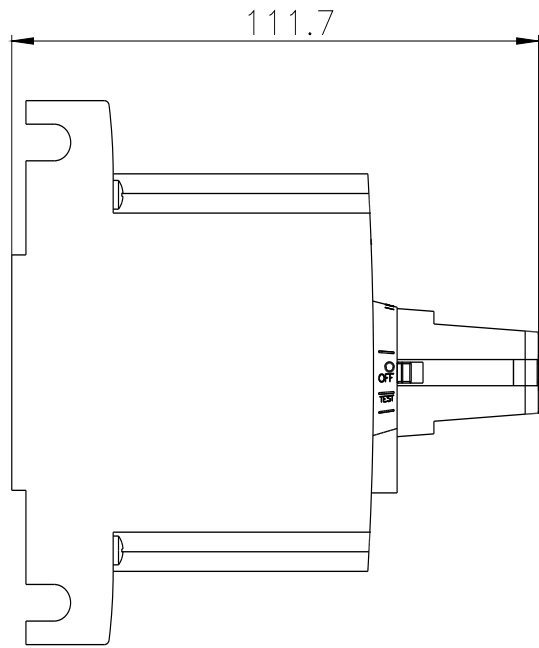
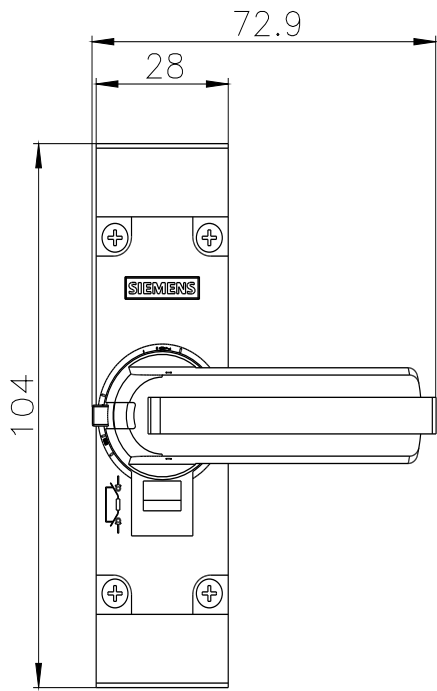
[Miscellaneous](#)



Test Certificates	Marine / Shipping	other	Environment		
<a href="#">Type Test Certificates/Test Report</a>		<a href="#">Miscellaneous</a>	<a href="#">Confirmation</a>	<a href="#">Environmental Confirmations</a>	<a href="#">Environmental Confirmations</a>

### Further information

- Information on the packaging <https://support.industry.siemens.com/cs/ww/en/view/109813875>
- Information- and Downloadcenter (Catalogs, Brochures,...) <http://www.siemens.com/lowvoltage/catalogs>
- Industry Mall (Online ordering system) <https://mall.industry.siemens.com/mall/en/en/Catalog/product?mlfb=3KF9101-2AA00>
- Service&Support (Manuals, Certificates, Characteristics, FAQs,...) <https://support.industry.siemens.com/cs/ww/en/ps/3KF9101-2AA00>
- Image database (product images, 2D dimension drawings, 3D models, device circuit diagrams, ...) [http://www.automation.siemens.com/bilddb/cax\\_en.aspx?mlfb=3KF9101-2AA00](http://www.automation.siemens.com/bilddb/cax_en.aspx?mlfb=3KF9101-2AA00)
- CAx-Online-Generator <http://www.siemens.com/cax>
- Tender specifications <http://www.siemens.com/specifications>



last modified:

8/19/2022 

