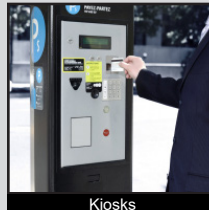


PV6 SERIES ANTI-VANDAL SWITCH

ANTI-VANDAL SWITCHES
DETECTOR SWITCHES
DIP SWITCHES
KEYLOCK SWITCHES
NAVIGATION SWITCHES
PUSHBUTTON SWITCHES
ROCKER SWITCHES
ROTARY SWITCHES
SLIDE SWITCHES
SNAP ACTION SWITCHES
TACTILE SWITCHES
TOGGLE SWITCHES
CAP OPTIONS



APPLICATIONS / MARKETS



SPECIFICATIONS

Electrical Rating: 2A, 48VDC
Mechanical Life: 1,000,000 Cycles
Electrical Life: 50,000 Cycles
Contact Resistance: 50mΩ Max.
Insulation Resistance: 1000 MΩ Min.
Dielectric Strength: 2,000VAC
Operating/Storage Temperature: -20°C to 55°C
Travel: 1.80mm (Non-Illuminated)
 2.20mm (Illuminated)
Moisture Protection: IP65
Contact Arrangement: SPST Off-(On)
Actuation Force: 400 gf
Panel Thickness: 1-10mm
Mounting Nut Torque: 5-14Nm

FEATURES & BENEFITS

- 16mm diameter panel cutout
- Single, Bi-color, and RGB LED options
- Dot or ring illumination options available
- Illuminated ring with laser etched power symbol graphic option
- Illuminated ring and power symbol graphic option
- Multiple actuator options
- Pilot indicator option
- IP65 rated, Off-(On), SPST
- Soldered wire leads (300mm long) optional

PART NUMBER CONFIGURATOR

Series	Actuator Options	Terminal Options	Function Options	Rating Options	Body Finish Options	Actuator Finish Options	Contact Material Options	Lens Style Options	LED Color Options	Illumination Voltage Options	Graphic Options
PV6	F - Flat H - High	2 - Solder W - Wire Leads 300mm long	4 - Off - (On)* P - Pilot Indicator**	0 - 2A, 48VDC X - Pilot Indicator	N - Nickel Plated S - Stainless Steel 1 - Black Anodized	N - Nickel Plated S - Stainless Steel 1 - Black Anodized	NONE - Silver G - Gold	NONE - Non-Illuminated 2 - Dot Illumination 3 - Ring Illumination	NONE - Non-Illuminated 0 - White 1 - Red 2 - Orange 3 - Green 4 - Blue 5 - Yellow F - Red/Orange G - Red/Green H - Red/Blue J - Red/Yellow K - Orange/Green L - Orange/Blue M - Orange/Yellow R - RGB	NONE - Non-Illuminated 1 - Base Voltage [‡]	NONE - Base M01 - Illuminated Ring Laser Etched Power Symbol M15 - Illuminated Ring and Power Symbol

NOTES:
 *(On) denotes function is momentary
 **Pilot indicator does not have internal switch contacts, only illumination
[‡]Base voltage for LED colors red, yellow, and orange is 1.8V @ 20mA
[‡]Base voltage for LED colors blue, green and white is 2.8V @ 20mA

Specifications subject to change without notice 6.16.2021



E-SWITCH®

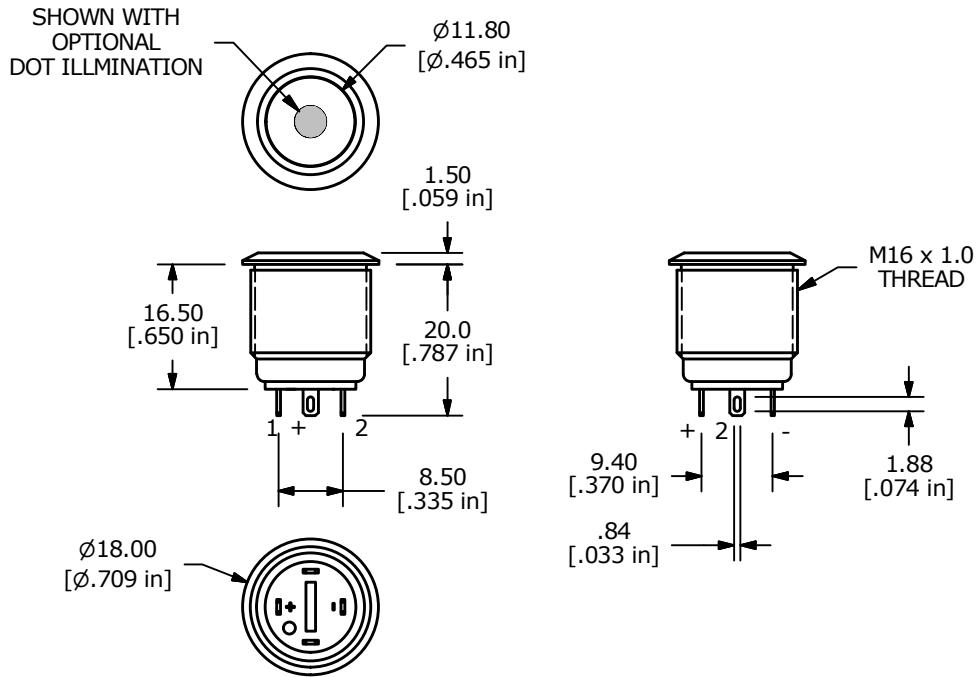
www.e-switch.com

800.867.2717

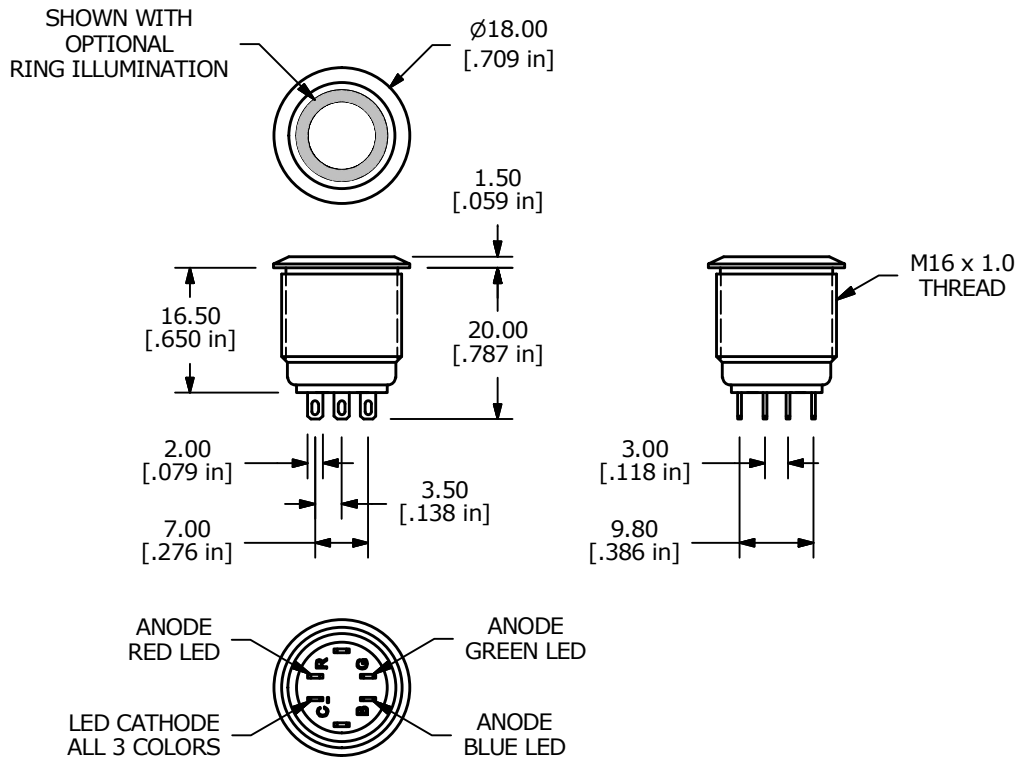
1

PV6 SERIES ANTI-VANDAL SWITCH

BODY DIMENSIONS LED ILLUMINATION



BODY DIMENSIONS RGB ILLUMINATION

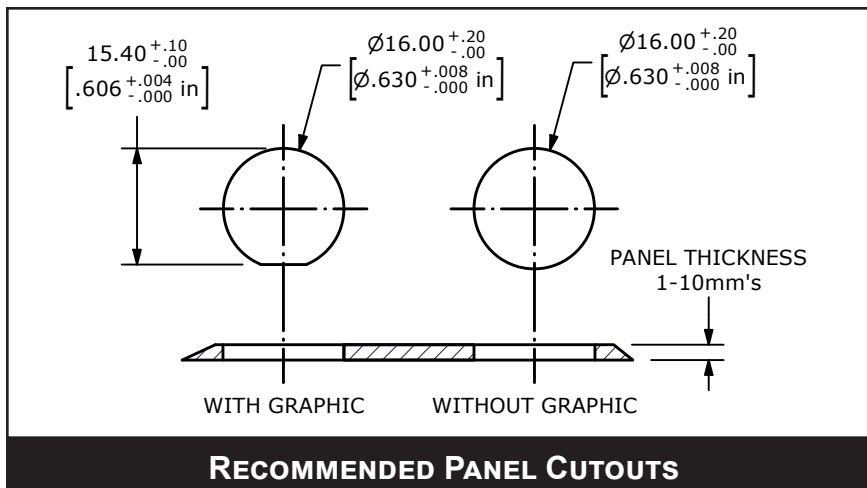
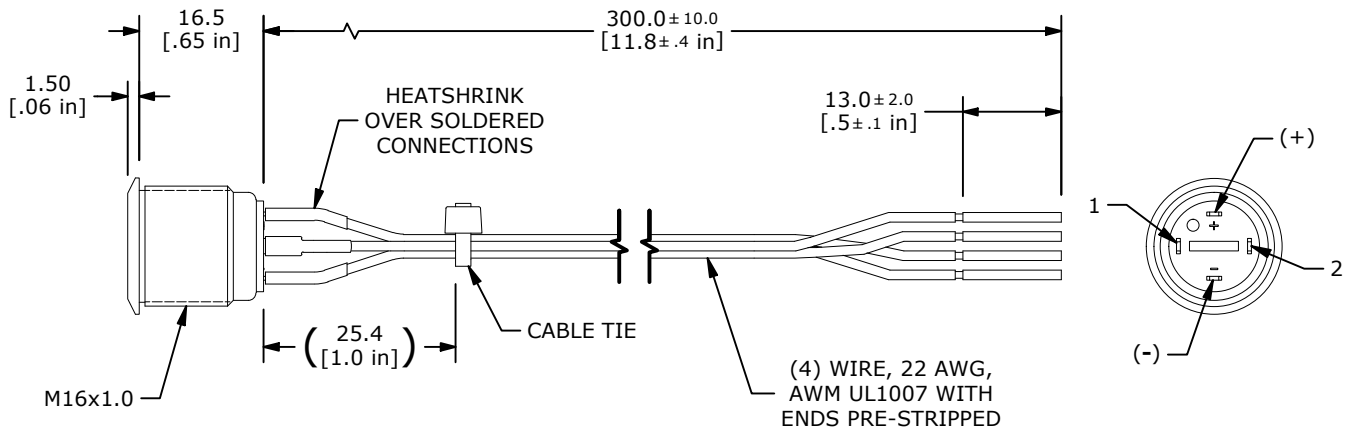


PV6 SERIES ANTI-VANDAL SWITCH

BODY DIMENSIONS STANDARD LED WIRE LEAD

SWITCH	WIRE	LENGTH
SW1-1	WIRE, 22AWG AWM UL1007, WHITE	300.0 [11.8 in]
SW1-2	WIRE, 22AWG AWM UL1007, GREEN	300.0 [11.8 in]
SW1- (+)	WIRE, 22AWG AWM UL1007, RED	300.0 [11.8 in]
SW1- (-)	WIRE, 22AWG AWM UL1007, BLACK	300.0 [11.8 in]

** WIRE LEADS PROVIDED ARE DEPENDANT ON THE FUNCTION AND/OR ILLUMINATION SELECTED **

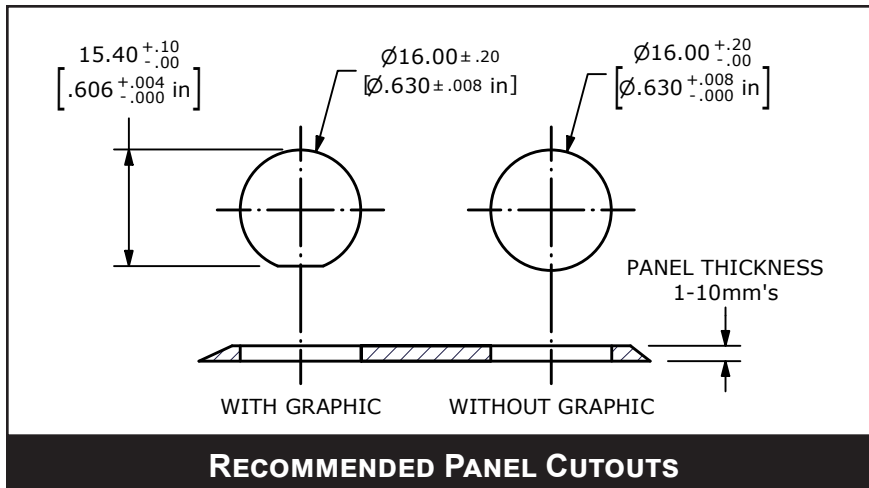
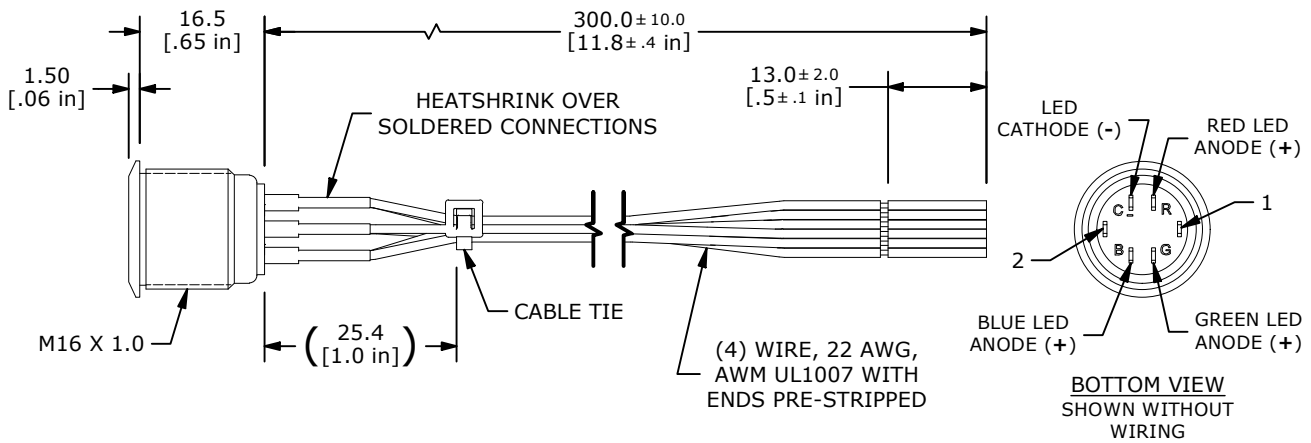


PV6 SERIES ANTI-VANDAL SWITCH

BODY DIMENSIONS STANDARD RGB WIRE LEAD

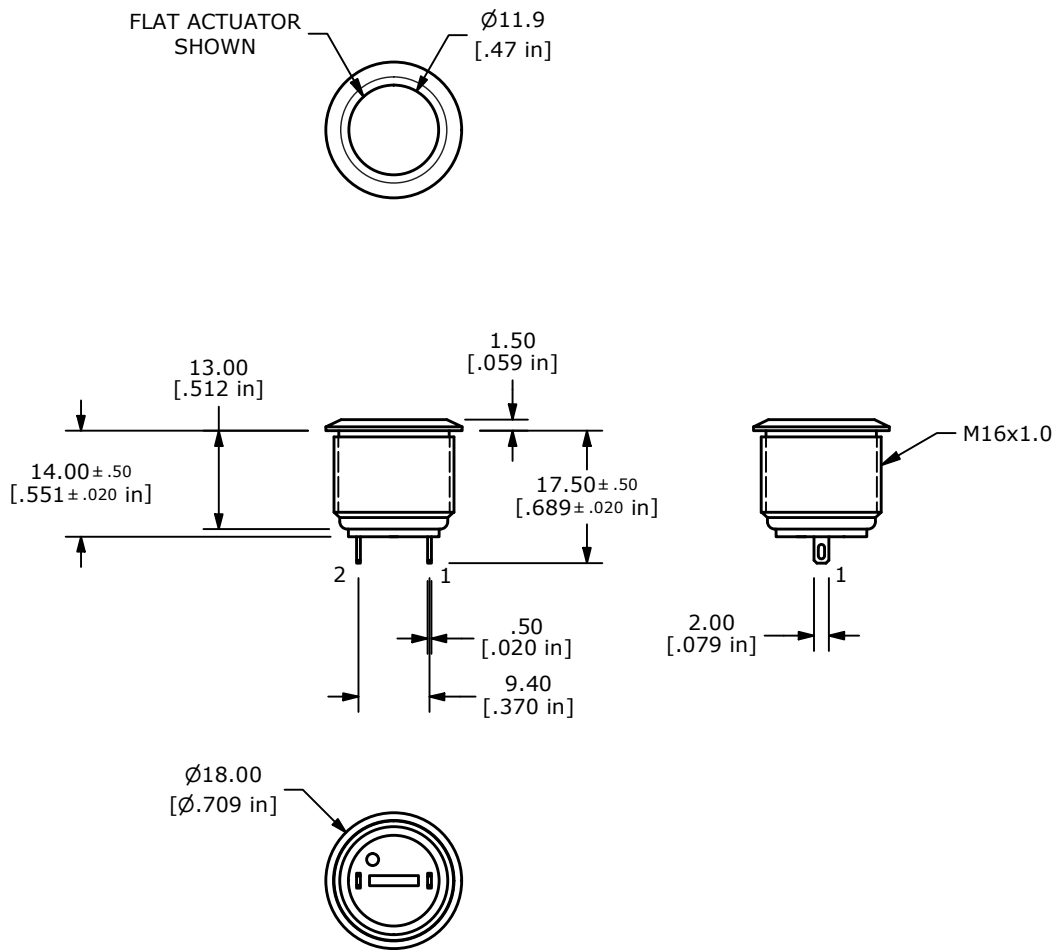
SWITCH	WIRE
SW1-1	WIRE, 22AWG STRANDED AWM UL1007, WHITE
SW1-2	WIRE, 22AWG STRANDED AWM UL1007, YELLOW
SW1-RED (+)	WIRE, 22AWG STRANDED AWM UL1007, RED
SW1-GREEN (+)	WIRE, 22AWG STRANDED AWM UL1007, GREEN
SW1-BLUE (+)	WIRE, 22AWG STRANDED AWM UL1007, BLUE
SW1- (-)	WIRE, 22AWG STRANDED AWM UL1007, BLACK

** WIRE LEADS PROVIDED ARE DEPENDANT ON THE FUNCTION AND/OR ILLUMINATION SELECTED **

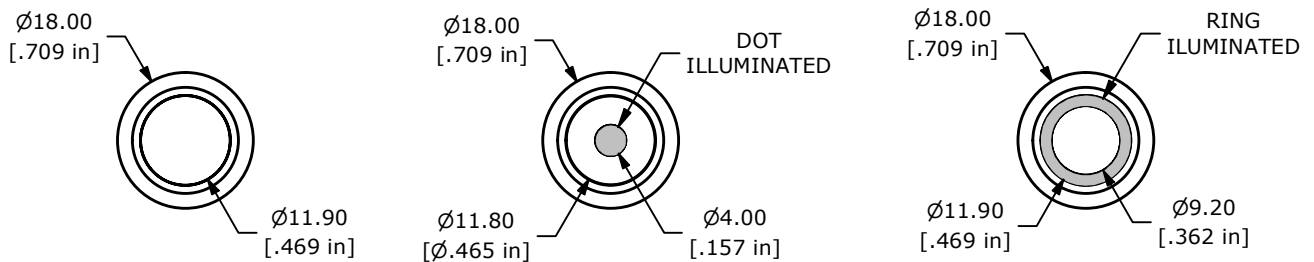


PV6 SERIES ANTI-VANDAL SWITCH

BODY DIMENSIONS NON ILLUMINATED



ILLUMINATION OPTIONS



NON-ILLUMINATED

DOT ILLUMINATED

RING ILLUMINATED



E-SWITCH®

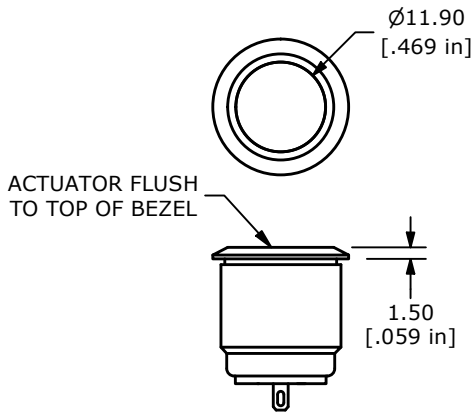
www.e-switch.com

800.867.2717

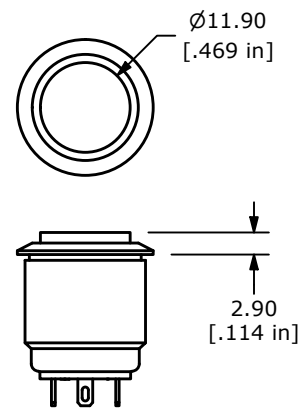
5

PV6 SERIES ANTI-VANDAL SWITCH

ACTUATOR OPTIONS

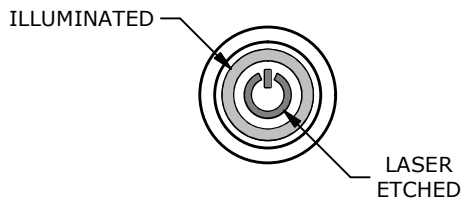


FLAT ACTUATOR

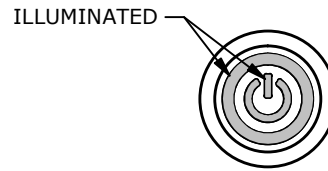


HIGH ACTUATOR

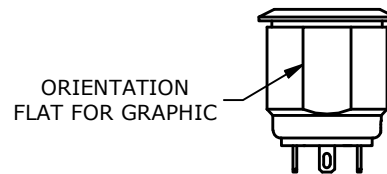
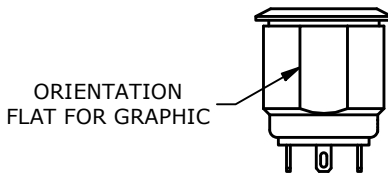
GRAPHIC OPTIONS



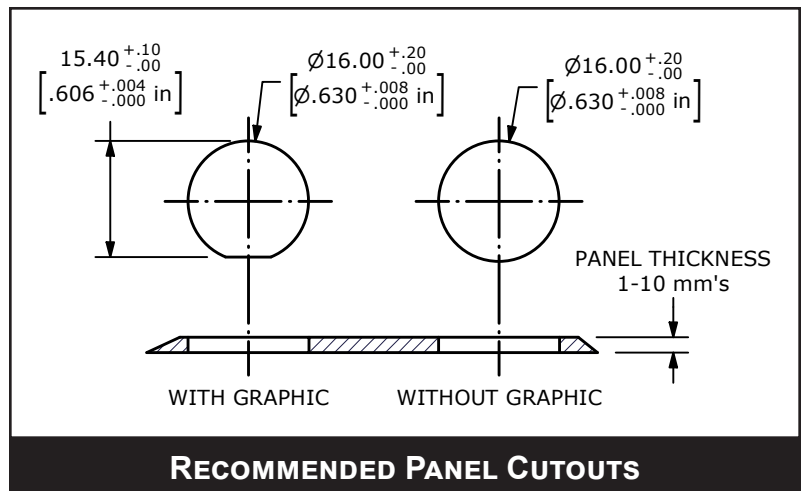
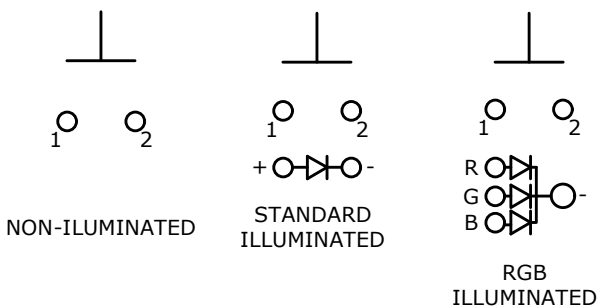
M01 - ILLUMINATED RING LASER ETCHED POWER SYMBOL



M15 - ILLUMINATED RING AND POWER SYMBOL



SCHEMATICS AND PANEL CUTOUTS



RECOMMENDED PANEL CUTOUTS



ANTI-VANDAL SWITCHES
 DETECTOR SWITCHES
 DIP SWITCHES
 KEYLOCK SWITCHES
 NAVIGATION SWITCHES
 PUSHBUTTON SWITCHES
 ROCKER SWITCHES
 ROTARY SWITCHES
 SLIDE SWITCHES
 SNAP ACTION SWITCHES
 TACTILE SWITCHES
 TOGGLE SWITCHES
 CAP OPTIONS