

Type TFLD

Automotive Fuse Link

9/16" Axial Male Terminal

(Short Lead)



www.optifuse.com

(619) 593-5050

Specifications:

Voltage: 32VDC

Amperage: 20A, 30A, 40A, 50A, 60A, 70A, 80A, 100A, 120A

Interrupting Rating: 5,000A @ 32 VAC

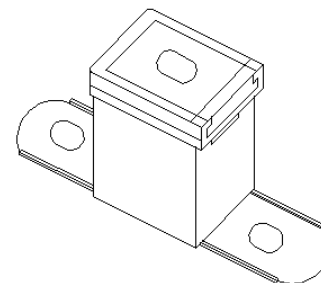
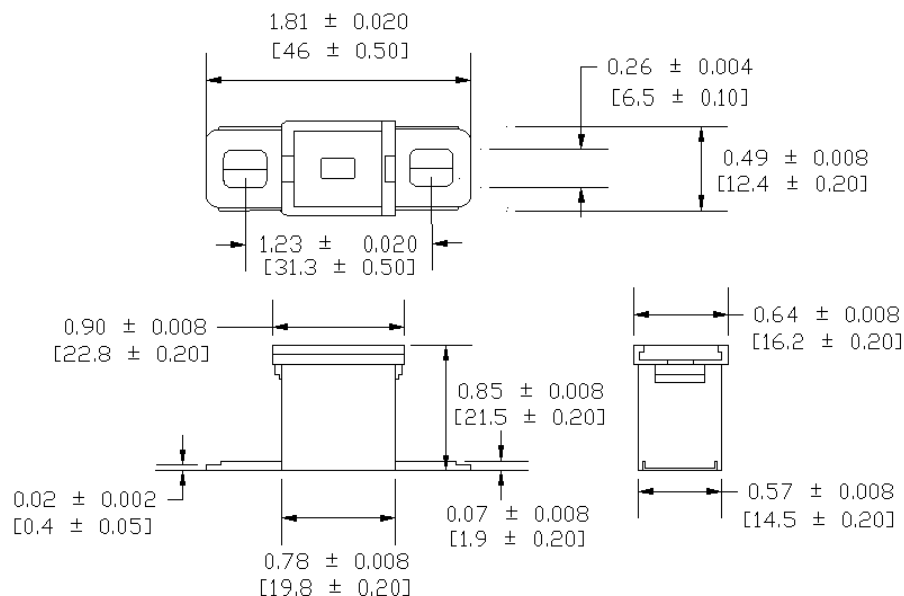
Agency Standards and Listings:

JASO D612-4:2001

| Time Characteristics | | |
|----------------------|---------------|---------------|
| % of rated current | Min hold time | Max hold time |
| 110% | 4h | |
| 200% | 5s | 100s |
| 350% | 200ms | 7s |
| 600% | 40ms | 1s |

| Part Number | Ampere Rating | Housing Color |
|-------------|---------------|---------------|
| TFLD-20A | 20A | Light-Blue |
| TFLD-30A | 30A | Pink |
| TFLD-40A | 40A | Green |
| TFLD-50A | 50A | Red |
| TFLD-60A | 60A | Yellow |
| TFLD-70A | 70A | Brown |
| TFLD-80A | 80A | Black |
| TFLD-100A | 100A | Blue |
| TFLD-120A | 120A | White |

Mechanical Dimensions: Inches [mm]



Warning:



-Operation beyond the specified maximum ratings or improper use may result in damage and possible electrical arcing and/or flame.

-Avoid contact of device with chemical solvent. Prolonged contact will damage the device performance.