

6609046-3 ✓ ACTIVE

Corcom | Corcom T

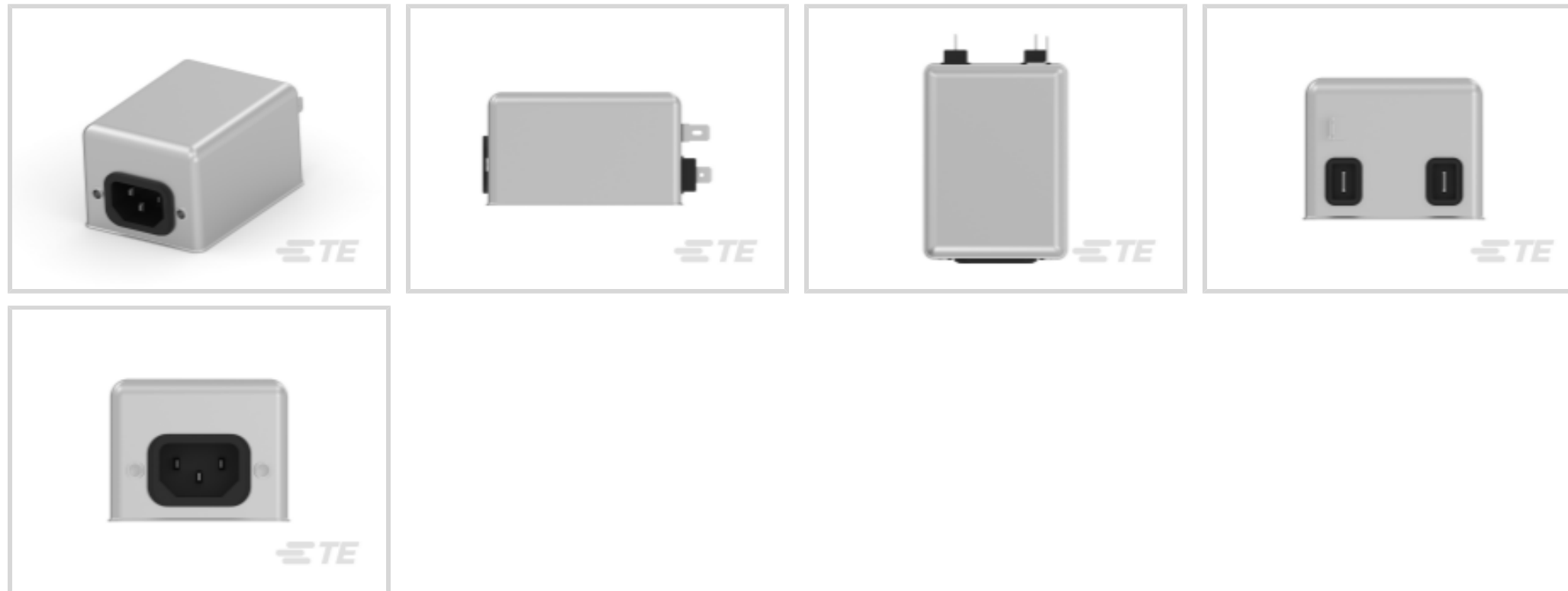
TE Internal #: 6609046-3

3A Current Rating, .250" FASTON Input, .250" FASTON Output,
Corcom T, Single Phase Filters

[View on TE.com >](#)



EMI & EMC Solutions > EMI Filters > Power Line Filters > Single Phase Filters > Single Phase Filters, Corcom T Series



Current Rating: **3 A**

Input Termination Type: **.250" FASTON**

Output Termination Type: **.250" FASTON**

Leakage Current (Max) (120VAC, 60Hz): **.3 mA**

Leakage Current (Max) (250VAC, 50Hz): **.5 mA**

[All Single Phase Filters, Corcom T Series \(18\)](#)

Features

Product Type Features

Ground Choke Option	No
Filtering Requirements	Filtered
Input Termination Type	.250" FASTON
Output Termination Type	.250" FASTON

Electrical Characteristics

Operating Voltage	250 VAC
Current Rating	3 A
Leakage Current (Max) (120VAC, 60Hz)	.3 mA
Leakage Current (Max) (250VAC, 50Hz)	.5 mA

Mechanical Attachment

Panel Mount Feature Type	Threaded
--------------------------	----------

Usage Conditions

Operating Temperature Range	-10 – 40 °C
-----------------------------	-------------

Product Compliance

[For compliance documentation, visit the product page on TE.com>](#)

EU RoHS Directive 2011/65/EU	Compliant with Exemptions
EU ELV Directive 2000/53/EC	Compliant
China RoHS 2 Directive MIIT Order No 32, 2016	Restricted Materials Above Threshold
EU REACH Regulation (EC) No. 1907/2006	Current ECHA Candidate List: JUNE 2024 (241) Candidate List Declared Against: JUNE 2024 (241) Does not contain REACH SVHC
Halogen Content	Not Low Halogen - contains Br or Cl > 900 ppm.
Solder Process Capability	Not applicable for solder process capability

Product Compliance Disclaimer

This information is provided based on reasonable inquiry of our suppliers and represents our current actual knowledge based on the information they provided. This information is subject to change. The part numbers that TE has identified as EU RoHS compliant have a maximum concentration of 0.1% by weight in homogenous materials for lead, hexavalent chromium, mercury, PBB, PBDE, DBP, BBP, DEHP, DIBP, and 0.01% for cadmium, or qualify for an exemption to these limits as defined in the Annexes of Directive 2011/65/EU (RoHS2). Finished electrical and electronic equipment products will be CE marked as required by Directive 2011/65/EU. Components may not be CE marked. Additionally, the part numbers that TE has identified as EU ELV compliant have a maximum concentration of 0.1% by weight in homogenous materials for lead, hexavalent chromium, and mercury, and 0.01% for cadmium, or qualify for an exemption to these limits as defined in the Annexes of Directive 2000/53/EC (ELV). Regarding the REACH Regulation, the information TE provides on SVHC in articles for this part number is based on the latest European Chemicals Agency (ECHA) 'Guidance on requirements for substances in articles' posted at this URL: <https://echa.europa.eu/guidance-documents/guidance-on-reach>

Compatible Parts

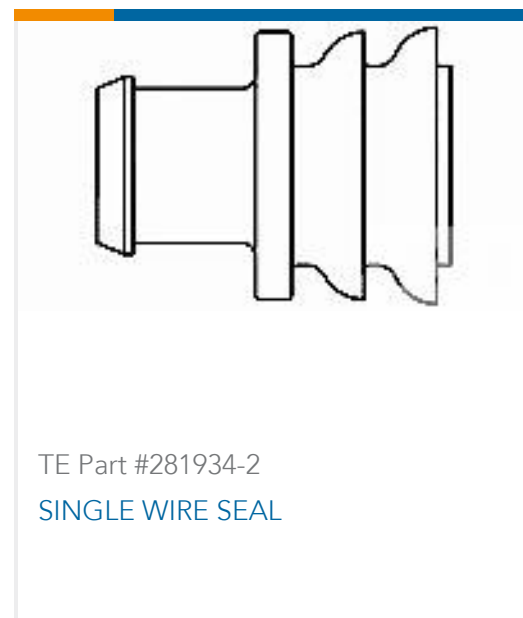


Also in the Series | [Corcom T](#)



Single Phase Filters(18)

Customers Also Bought

TE Part #DT04-2P
REC, 2P, GRY, NTE Part #DT06-2S
PLG, 2P, GRY, NTE Part #W2S
Wedgelocks: DEUTSCH DTTE Part #0460-202-16141
DEUTSCH Solid ContactsTE Part #282104-1
AMP SUPERSEAL 1.5MM,
CONNECTOR HOUSINGTE Part #281934-2
SINGLE WIRE SEALTE Part #114017-ZZ
SEALING PLUG, SIZE 12/16, WHT

Documents

Product Drawings

[3ET7=F7525 S0](#)

English

CAD Files

Customer View Model

[ENG_CVM_CVM_6609046-3_D1.3d_igs.zip](#)

English

Customer View Model

[ENG_CVM_CVM_6609046-3_D1.3d_stp.zip](#)

English

Customer View Model

[ENG_CVM_CVM_6609046-3_D1.2d_dxf.zip](#)

English

3D PDF

3D

By downloading the CAD file I accept and agree to the [Terms and Conditions](#) of use.



Datasheets & Catalog Pages

[1654001_CORCOM_PRODUCT_GUIDE_T_SERIES](#)

English

[Corcom Combined Selector Charts](#)

English

[1-1654250-1_CORCOM_EMI_RFI_QRG](#)

English