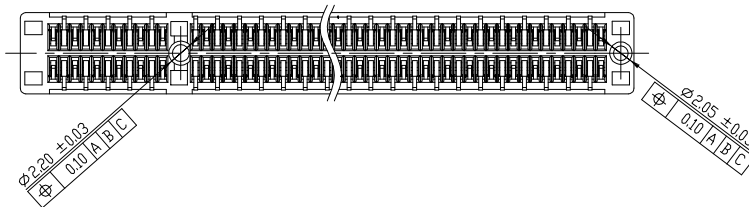
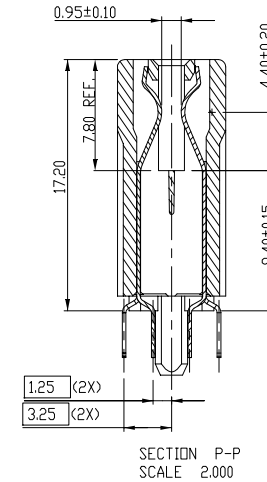
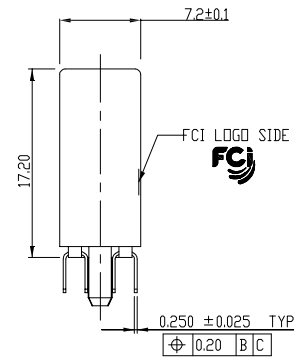
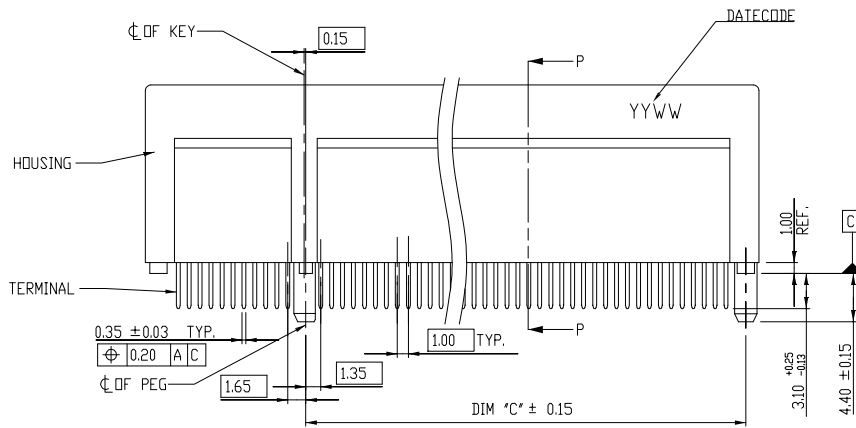
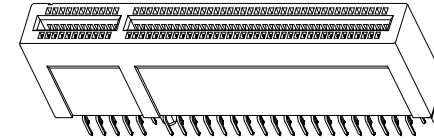
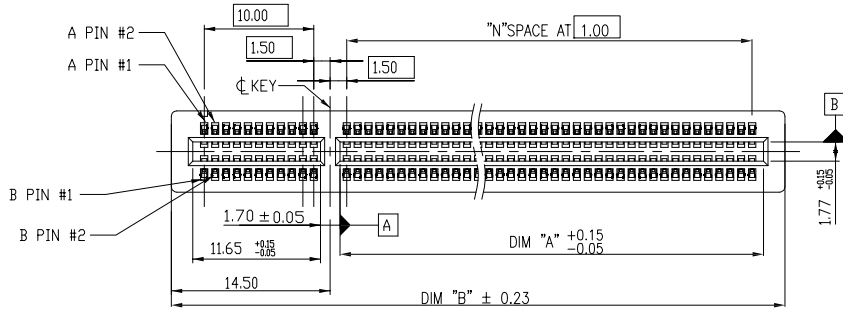


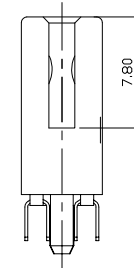
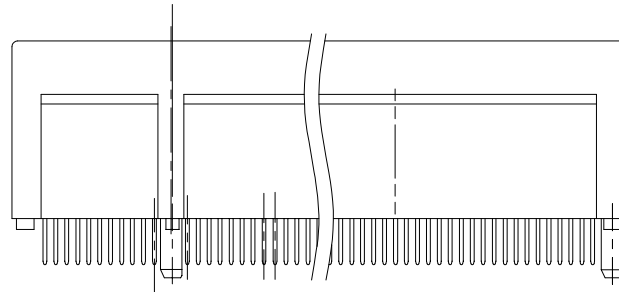
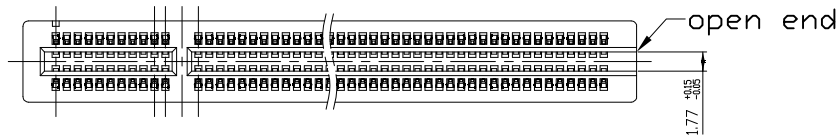
PART NUMBER 10108666-X0XXXXLF



#	POS REF.	N	DIM "A"	DIM "B"	DIM "C"
98P	37		38.65	56.00	40.15
164P	70		71.65	89.00	73.15

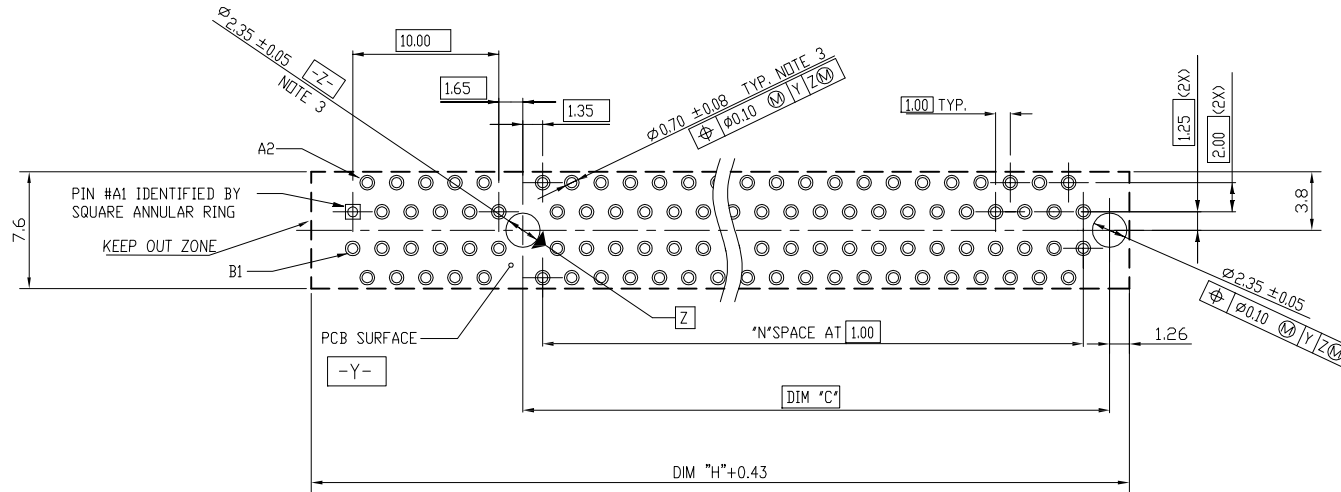
mat'l. code		-		surface		✓ tolerance		projection		product family	
ltr		ecn no		date		ASME_Y14.5		MM		PCI_EXPRESS	
D		ELX-06-37597		ZH 2019/8/13		tolerances unless otherwise specified		scale N/A		title	
						angles				PCI_EXPRESS_CARD_EDGE	
						±2'				EXTENDED_HEIGHT_TH_ASS'Y	
						dr		Amphenol FCI		dwg no	
						enr				sheet 1 of 5	
						chr				size	
						appd				A4	
						NICKOR_ZUO				10086666	
										type	
										CUSTOMER Drawing	
sheet index	revision	D									

PART NUMBER 10108666-X1XXXXLF



OTHER DIMENSIONS ARE SAME AS 10086666-X0XXXXLF

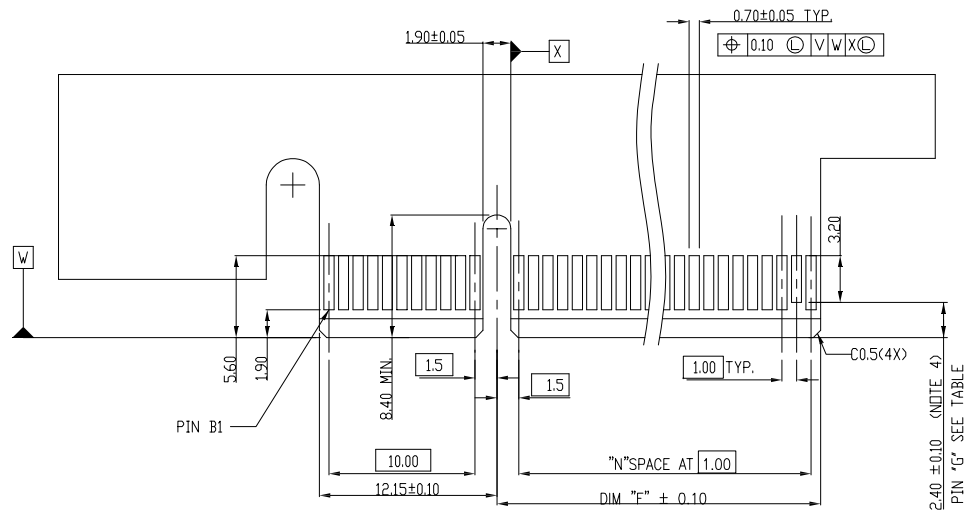
mat'l. code		-		surface		- ✓		tolerance		ASME_Y14.5		projection		product family		PCI_EXPRESS	
ltr	ecn no	dr	date	tolerances unless otherwise specified								MM		title			
				angles	linear	.02±0.30								PCI_EXPRESS_CARD_EDGE			
				±2'	linear	.00±0.20								EXTENDED_HEIGHT_TH_ASS'Y			
				dr	ZHENHUA_LIU	2019-07-12								dwg no		sheet 2 of 5 size	
				enr	ZHENHUA_LIU	2019-07-12								10086666		A4	
				chr										type		CUSTOMER Drawing	
				appd	NICKOR_ZUO	2019-07-12											
sheet index		revision sheet		D													



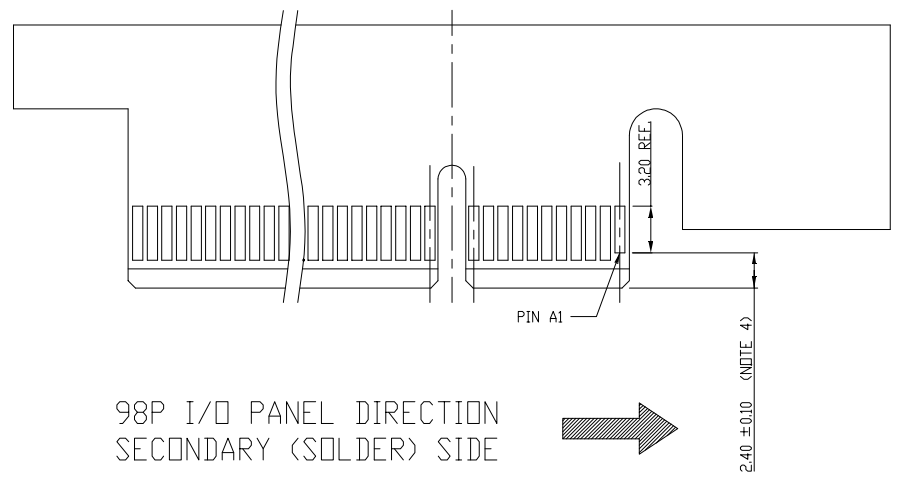
← 98P I/O PANEL DIRECTION
RECOMMENDED FOOTPRINT(NOTE 6)

#	POS REF.	N	DIM "C"
	98P	37	40.15
	164P	70	73.15

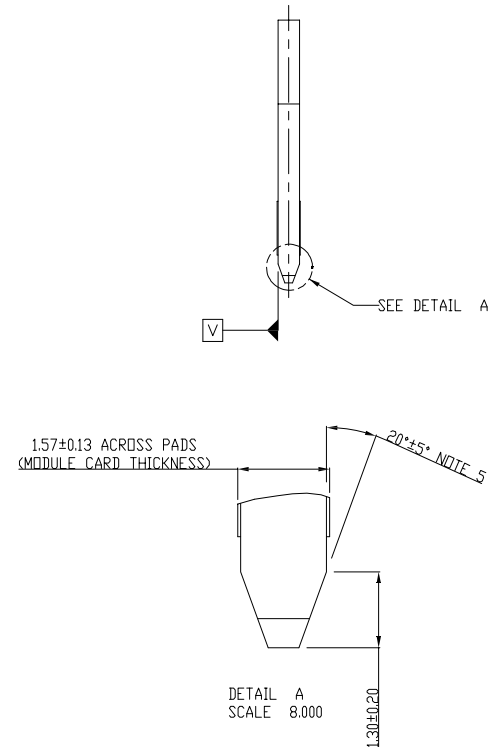
mat'l. code		surface		tolerance		projection		product family	
-		-		ASME_Y14.5				PCI_EXPRESS	
ltr		ecn no		dr		date		title	
18								PCI_EXPRESS_CARD_EDGE EXTENDED_HEIGHT_TH_ASS'Y	
				angles				dwg no	
				±2'		scale N/A		sheet 3 of 5 size	
				dr		2019-07-12		10086666	
				enr		2019-07-12		A4	
				chr				type	
				app		2019-07-12		CUSTOMER Drawing	
sheet index		revision sheet		D					



← 98P I/O PANEL DIRECTION
PRIMARY (COMPONENT) SIDE



98P I/O PANEL DIRECTION
SECONDARY (SOLDER) SIDE →



ADD-IN CARD EDGE-FINGER DIMENSIONS

DIMENSIONS			
POSITION	N	DIM "F"	G
98	37	39.15	PIN B48
164	70	72.15	PIN B81

mat'l. code		-		surface		- ✓ tolerance		ASME_Y14.5		projection		product family		PCI_EXPRESS	
ltr	ecn no	dr	date	tolerances unless otherwise specified						title					
				angles	Linear	.02 ± 0.30			PCI_EXPRESS_CARD_EDGE						
				±2°		.00 ± 0.20	scale N/A		EXTENDED_HEIGHT_TH_ASS'Y						
				dr	ZHENHUA_LIU	2019-07-12			dwg no		sheet 4 of 5		size		
				enr	ZHENHUA_LIU	2019-07-12			10086666		A4				
				chr					type		CUSTOMER Drawing				
				appd	NICKOR_ZUO	2019-07-12									
sheet index	revision	D													
	sheet														

NOTES:

1. MATERIAL:
 - HOUSING: HIGH PERFORMANCE RESIN, GLASS FILLED UL94V-0 RATED.
 - TERMINAL: COPPER ALLOY
 - PLATING: 100u" MIN. TIN. ALL OVER 80u" NICKEL UNDERPLATE
 - CONTACT AREA PLATING - SEE PRODUCT NUMBER CODE
 - SOLDER TAIL: TIN. SEE PRODUCT NUMBER CODE
2. PRODUCT SPECIFICATION: GS-12-233
- ③ THE HORIZONTAL AXIS FOR THE HOLE PATTERN IS ESTABLISHED BY A LINE THROUGH THE CENTER OF THE TWO Ø2.35 HOLES. THE VERTICAL AXIS IS 90° TO THE HORIZONTAL AXIS, THROUGH THE CENTER OF DATUM Z.
- ④ NO TIE BAR PERMITTED FROM CARD EDGE TO LEADING EDGE OF PAD FOR PINS A1 AND PIN NUMBERS "F".
- ⑤ CHAMFER EDGES MUST BE FREE OF CUTTING BURRS.
- ⑥ PLEASE REFER TO PCI EXPRESS ASSOCIATION SPECIFICATION FOR MODULE CARD AND PCB LAYOUT TOLERANCE INFORMATION
7. RoHS COMPATIBLE PRODUCT SPECIFICATIONS
 - a-PLATING:
 - “LF” MEANS THE PRODUCT IS LEAD-FREE, 2um MINIMUM MATTE TIN OVER 1.27um MINIMUM NICKEL UNDERPLATE.
 - b-MANUFACTURING PROCESS COMPATIBILITY
 - THE HOUSING WILL WITHSTAND EXPOSURE TO 260°C±5°C SOLDER BATH TEMPERATURE FOR 5 SECONDS IN A REFLOW SOLDER APPLICATION WITH A 1.6mm MIN THICK CIRCUIT BOARD.

10086666 - X X X X X L F

HOUSING COLOR OPTIONS
1-BLACK

HOUSING END PROFILE
0-WITHOUT OPEN END
1-WITH OPEN END

TERMINAL PLATING OPTIONS

0-80u" Ni UNDERPLATE
30u" Au CONTACT AREA W/O LUBRICANT
100u" TIN TAIL AREA -----COMPATIBLE RoHS

1-80u" Ni UNDERPLATE
30u" Au CONTACT AREA WITH FOMBLIN 5% LUBRICANT
100u" TIN TAIL AREA -----COMPATIBLE RoHS

LEAD FREE OPTION

PACKAGING OPTIONS
T-TRAY PACKAGING

PDS. OPTIONS
2-98
3-164

TAIL LENGTH OPTIONS

	DIM "D"	PCB THICKNESS
0	2.30 ^{+0.25} / _{-0.13}	1.56±0.10
1	3.10 ^{+0.25} / _{-0.13}	2.36±0.10

mat'l. code		-		surface	-	tolerance	ASME_Y14.5	projection	product family	PCI_EXPRESS	
ltr	ecn no	dr	date	tolerances unless otherwise specified		MM		title	PCI_EXPRESS_CARD_EDGE EXTENDED_HEIGHT_TH_ASS'Y		
18				angles	lineal	.02±0.30		scale N/A	sheet 5 of 5 size		
				±2'		.00±0.20			10086666 A4		
				dr	ZHENHUA_LIU	2019-07-12		Amphenol FCI	dwg no		
				enrg	ZHENHUA_LIU	2019-07-12			CUSTOMER Drawing		
				chr							
				appd	NICKOR_ZUO	2019-07-12					
sheet index	revision sheet	D									