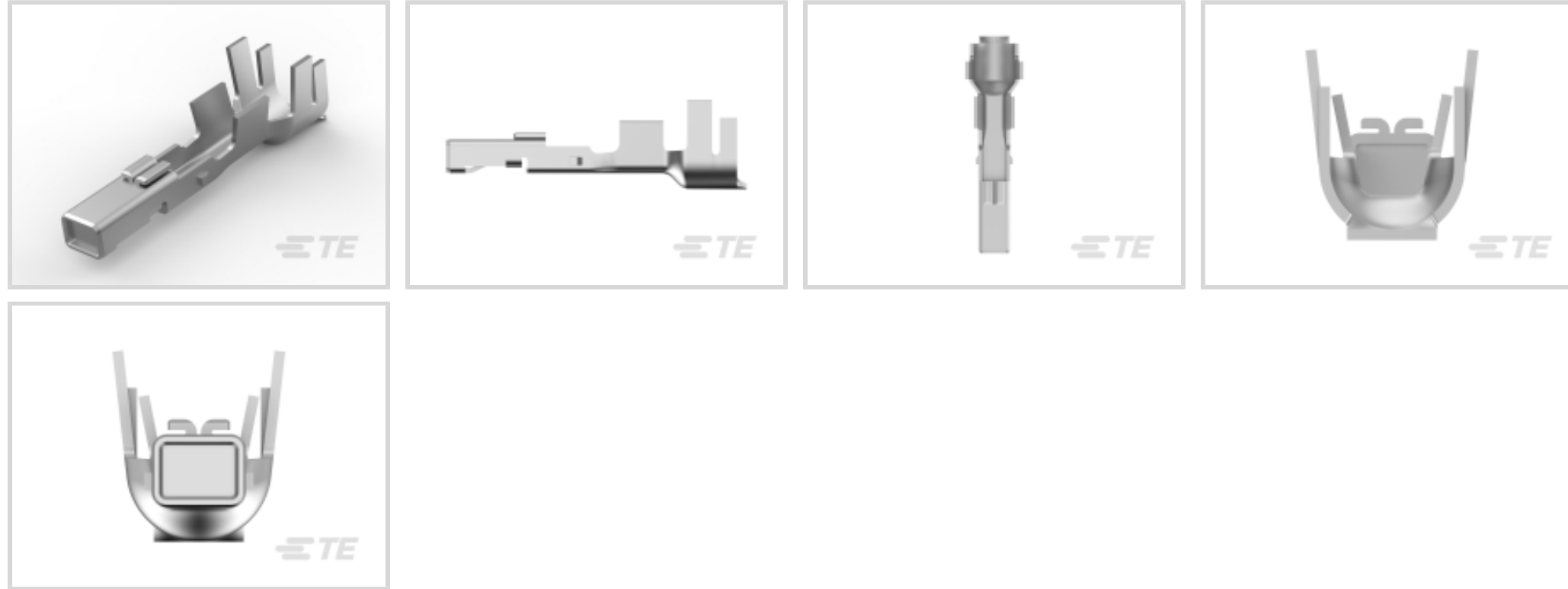




TE Internal #: 2232901-1
 Receptacle Contact, Tin, 300 VAC, Locking Lance Contact Retention, 20 – 16 AWG Wire Size, .52 – 1.31 mm² Wire Size, Crimp, Copper Alloy, Power

[View on TE.com >](#)

Connectors > Contacts > Connector Contacts > Power Double Lock Receptacle



Contact Type: **Receptacle**
 Contact Mating Area Plating Material: **Tin**
 Wire Contact Termination Area Plating Material: **Pre-Tin**
 Operating Voltage: **300 VAC**
 Contact Retention Within Housing: **With**

[All Power Double Lock Receptacle \(6\)](#)

Features

Product Type Features

Discrete Wire Type	Stranded
--------------------	----------

Electrical Characteristics

Operating Voltage	300 VAC
-------------------	---------

Contact Features

Mating Tab Width	1.5 mm[.06 in]
Mating Tab Thickness	.5 mm[.02 in]
Wire Contact Termination Area Plating Thickness	.8 μm[31.49 μin]
Wire Contact Termination Area Plating Material Finish	Matte
Contact Orientation	Straight
Contact Type	Receptacle
Contact Mating Area Plating Material	Tin
Wire Contact Termination Area Plating Material	Pre-Tin
Contact Retention Within Housing	With



Contact Base Material	Copper Alloy
-----------------------	--------------

Contact Current Rating (Max)	14 A
------------------------------	------

Termination Features

Termination Method to Wire & Cable	Crimp
------------------------------------	-------

Product Terminates To	Wire & Cable
-----------------------	--------------

Mechanical Attachment

Wire Insulation Support	With
-------------------------	------

Contact Retention Type Within Housing	Locking Lance
---------------------------------------	---------------

Dimensions

Compatible Insulation Diameter Range	1.8 – 3.1 mm [.071 – .12 in]
--------------------------------------	------------------------------

Wire Size	.52 – 1.31 mm ²
-----------	----------------------------

Usage Conditions

Operating Temperature Range	-30 – 105 °C [-22 – 221 °F]
-----------------------------	-----------------------------

Operation/Application

Circuit Application	Power
---------------------	-------

Packaging Features

Packaging Quantity	4000
--------------------	------

Packaging Method	Reel
------------------	------

Product Compliance

[For compliance documentation, visit the product page on TE.com>](#)

EU RoHS Directive 2011/65/EU	Compliant
------------------------------	-----------

EU ELV Directive 2000/53/EC	Compliant
-----------------------------	-----------

China RoHS 2 Directive MIIT Order No 32, 2016	No Restricted Materials Above Threshold
---	---

EU REACH Regulation (EC) No. 1907/2006	Current ECHA Candidate List: JUNE 2024 (241) Candidate List Declared Against: JUNE 2024 (241) Does not contain REACH SVHC
--	---

Halogen Content	Low Halogen - Br, Cl, F, I < 900 ppm per homogenous material. Also BFR/CFR/PVC Free
-----------------	---

Solder Process Capability	Not reviewed for solder process capability
---------------------------	--



This information is provided based on reasonable inquiry of our suppliers and represents our current actual knowledge based on the information they provided. This information is subject to change. The part numbers that TE has identified as EU RoHS compliant have a maximum concentration of 0.1% by weight in homogenous materials for lead, hexavalent chromium, mercury, PBB, PBDE, DBP, BBP, DEHP, DIBP, and 0.01% for cadmium, or qualify for an exemption to these limits as defined in the Annexes of Directive 2011/65/EU (RoHS2). Finished electrical and electronic equipment products will be CE marked as required by Directive 2011/65/EU. Components may not be CE marked. Additionally, the part numbers that TE has identified as EU ELV compliant have a maximum concentration of 0.1% by weight in homogenous materials for lead, hexavalent chromium, and mercury, and 0.01% for cadmium, or qualify for an exemption to these limits as defined in the Annexes of Directive 2000/53/EC (ELV). Regarding the REACH Regulation, the information TE provides on SVHC in articles for this part number is based on the latest European Chemicals Agency (ECHA) 'Guidance on requirements for substances in articles' posted at this URL: <https://echa.europa.eu/guidance-documents/guidance-on-reach>

Compatible Parts



TE Part # CAT-P87024-P729
STD Temp Power Double Lock Plug



TE Part # CAT-P87024-P729A
Glow Wire Power Double Lock Plug



TE Part # 2317123-1
POWER DBL LOCK CONN 3.96 MM
10POS HEADE



TE Part # 2305570-1
Strip Terminal Cutter-Side Feed-No
Crimp




TE Part # 5-368571-1
FOAMING PROOF PLUG 3POS NAT




TE Part # 5-368571-2
FOAMING PROOF PLUG 3POS RED



TE Part # 5-368571-4
FOAMING PROOF PLUG 3POS YEL

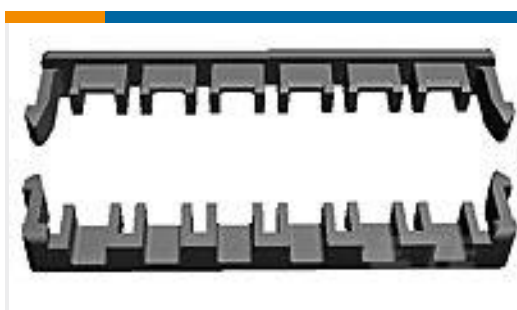


TE Part # 2108960-1
DISTRIBUTION CONNECTOR



TE Part # 2475668-1
PDL10P PLUG HOUSING 3.96MM,DBL
ROW (GWT)

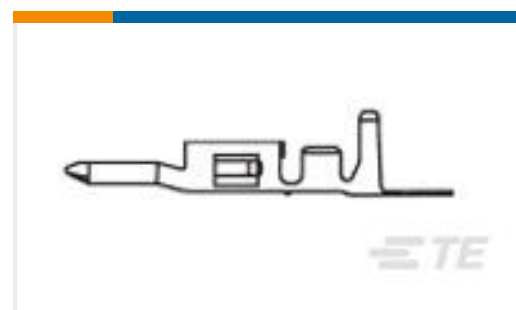
Customers Also Bought



TE Part #1376394-1
5MM POWER KEY D/L PLATE GREEN



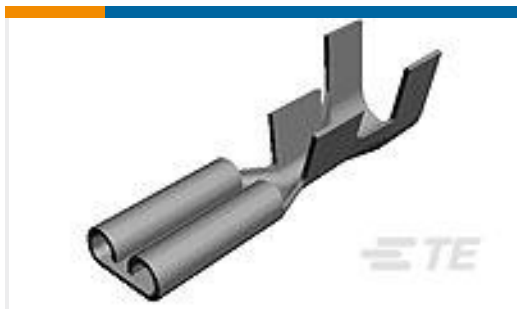
TE Part #440133-5
2.5MM,HSG,5POS



TE Part #794957-1
VAL-U-LOK PIN BR SN 22-26AWG



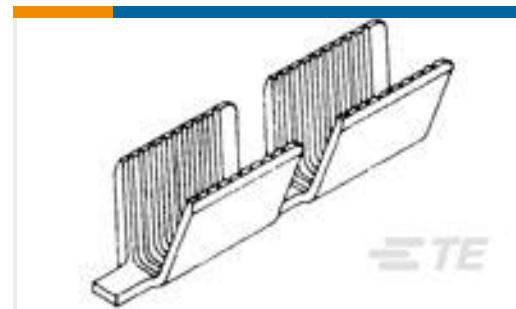
TE Part #350570-1
UMNL SOK 24-18 PTPBR



TE Part #63688-1
250 FASTON REC 18-14 AWG NPST



TE Part #521204-6
RAST 5,HSG,2P,POSILOCK MKIII



TE Part #62305-2
AMVAR SPLC 600-3000 016TPBR



TE Part #2301328-1
PDL 3P PLUG 3.96MM,SR (GWT)



TE Part #2314618-1
AMP PDL 3.96MM 4POS. PLUG(SGL ROW).



TE Part #2371464-2
2P, RAST5 P-LOCK HSG, INNER SLOT

Documents

Product Drawings

[AMP POWER DBL LOCK REC \(L\)](#)

English

CAD Files

[3D PDF](#)

3D

[Customer View Model](#)

[ENG_CVM_CVM_2232901-1_B.2d_dxf.zip](#)

English

[Customer View Model](#)

[ENG_CVM_CVM_2232901-1_B.3d_igs.zip](#)

English

[Customer View Model](#)

[ENG_CVM_CVM_2232901-1_B.3d_stp.zip](#)

English

By downloading the CAD file I accept and agree to the [Terms and Conditions](#) of use.

Product Specifications

2232901-1

Receptacle Contact, Tin, 300 VAC, Locking Lance Contact Retention, 20 – 16 AWG
Wire Size, .52 – 1.31 mm² Wire Size, Crimp, Copper Alloy, Power



Engineering Report

English