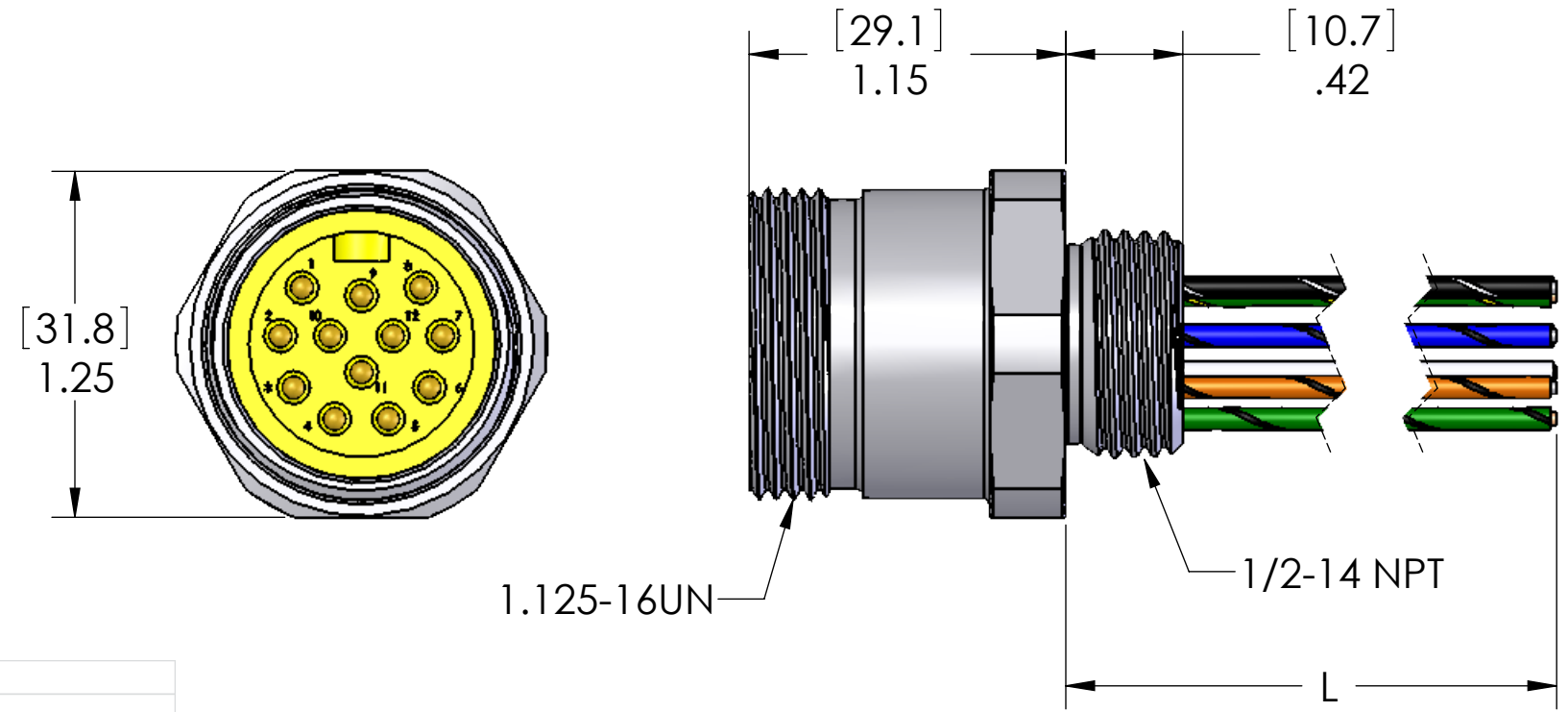


PIN #	COLOR
1	ORANGE
2	BLUE
3	WHITE w/BLACK
4	RED w/BLACK
5	GREEN w/BLACK
6	ORANGE w/BLACK
7	BLUE w/BLACK
8	BLACK w/WHITE
9	GREEN / YELLOW
10	RED
11	WHITE
12	BLACK



P/N	L
MIN-12MR-1-18	12" [0.3m]
MIN-12MR-2-18	24" [0.6m]
MIN-12MR-3-18	36" [0.9m]
MIN-12MR-4-18	48" [1.2m]
MIN-12MR-5-18	60" [1.5m]
MIN-12MR-6-18	72" [1.8m]
MIN-12MR-10-18	120" [3.0m]
MIN-12MR-15-18	180" [4.6m]

OTHER LENGTHS AVAILABLE
PLEASE CONSULT FACTORY

MATERIALS	
BODY:	CLEAR ANODIZED ALUMINUM
CONTACTS:	GOLD PLATED COPPER ALLOY
INSERT:	YELLOW PVC
WIRE:	18AWG UL1007/1569
O-RING:	NBR
LOCKNUT:	ZINC PLATED STEEL

APPROVALS	
U.S.	UL LISTED
CANADA	C-UL LISTED

AN O-RING AND LOCK NUT ARE INCLUDED FOR 24" LONG AND LONGER LEAD LENGTHS.

PROPRIETARY AND CONFIDENTIAL
THE INFORMATION CONTAINED IN THIS DRAWING IS THE SOLE PROPERTY OF MENCOM CORPORATION. ANY REPRODUCTION IN PART OR AS A WHOLE WITHOUT THE WRITTEN PERMISSION OF MENCOM CORPORATION IS PROHIBITED.

VOLTS	300V
AMPS	4A
TEMP:	105°C

UNLESS OTHERWISE SPECIFIED:	DRAWN BY	ADM
DIMENSIONS ARE IN INCHES AND [MM]	DRAWN DATE	09/22/2016
	CHECKED BY	
	CHECK DATE	
	COMMENTS:	
MATERIAL		
FINISH		
DO NOT SCALE DRAWING		

MENCOM CORPORATION		
TITLE: 12 PL MIN ML RECP		
SIZE	DWG. NO.	REV
B	MIN-12MR-ZZ-18	B
SCALE: 1.5:1	WEIGHT:	SHEET 1 OF 1