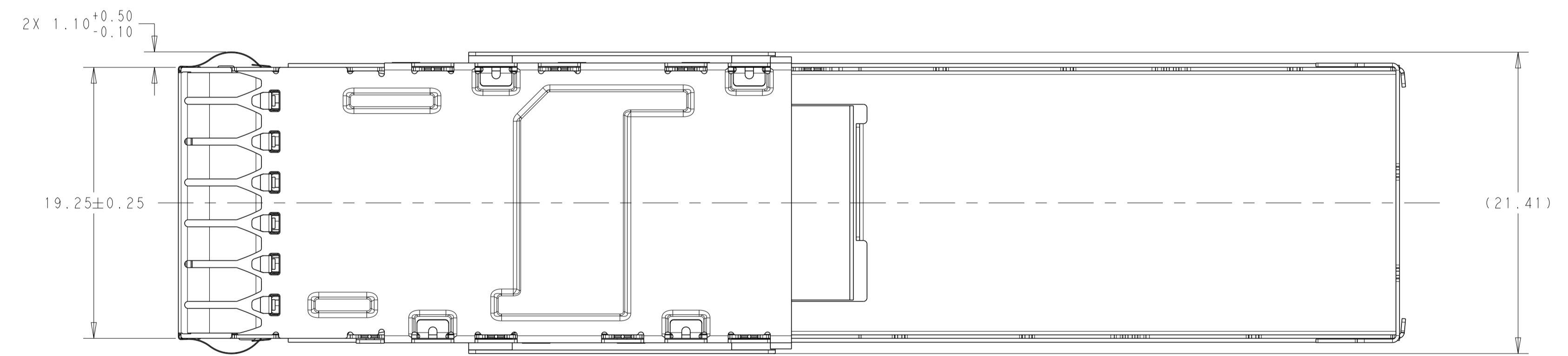
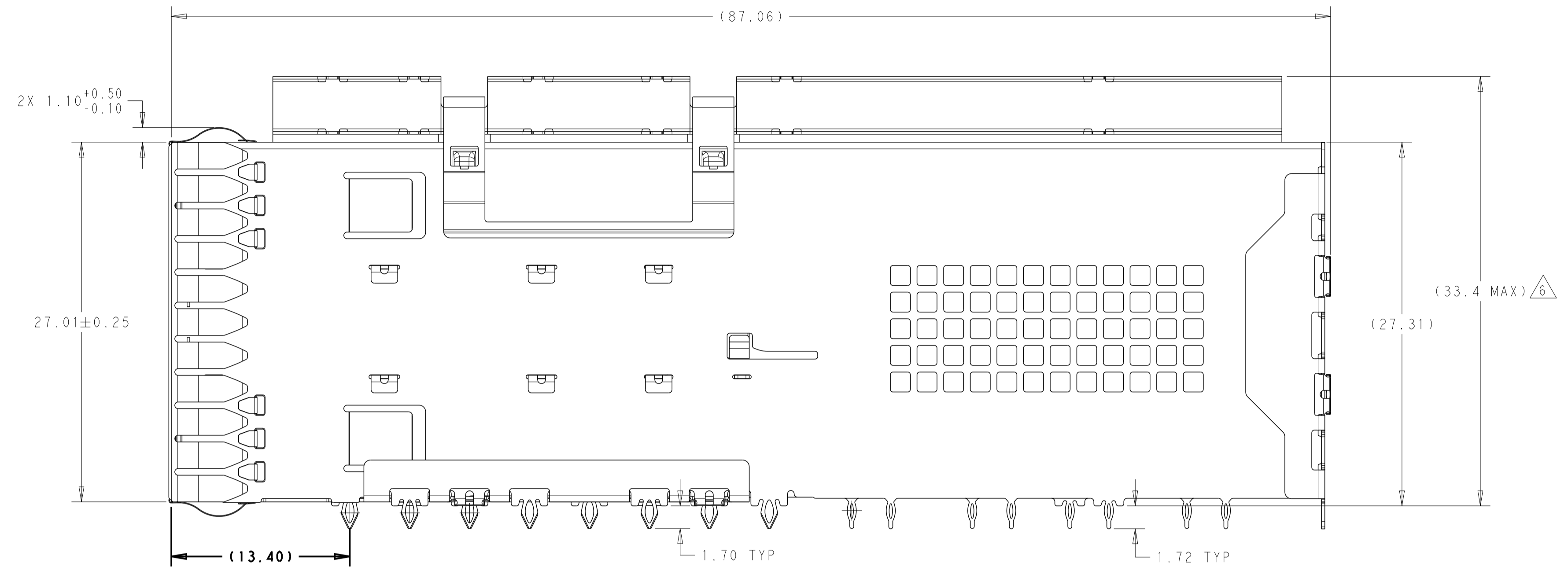
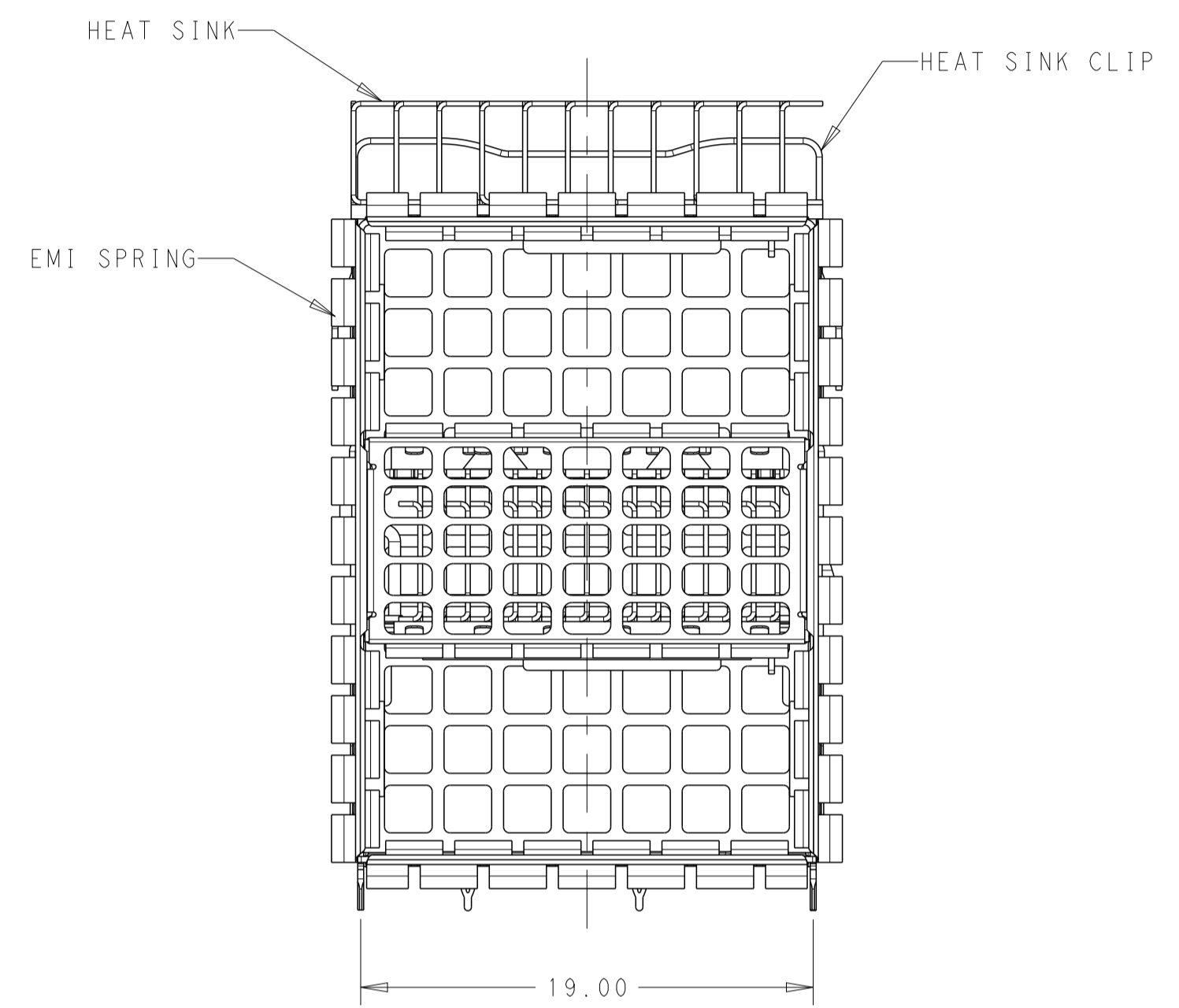


REVISIONS					
P	LTN	DESCRIPTION	DATE	DMN	APVD
A		PRODUCTION RELEASE	12OCT2024	RM	SZ

2391506-1 AS SHOWN

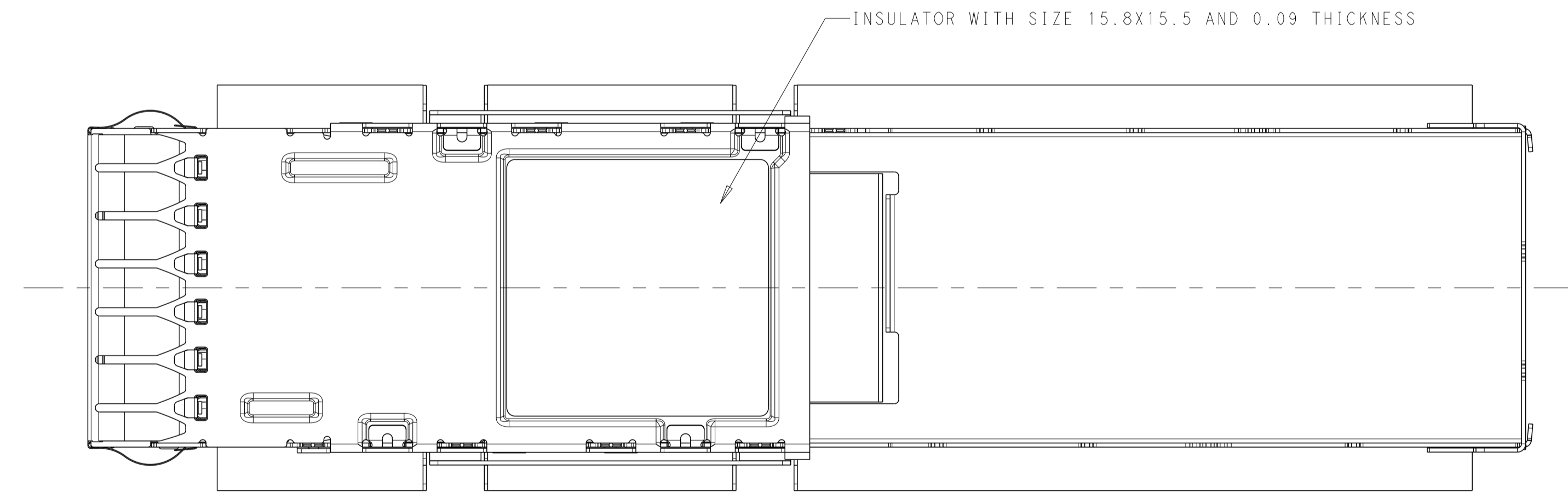
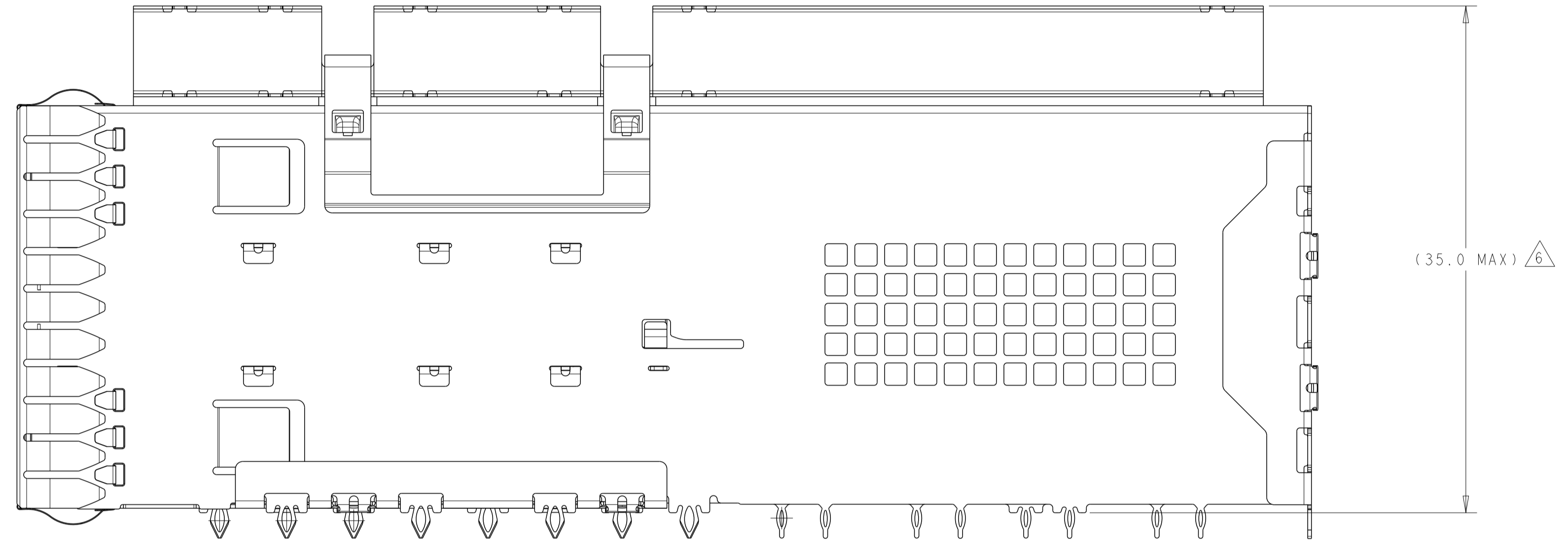
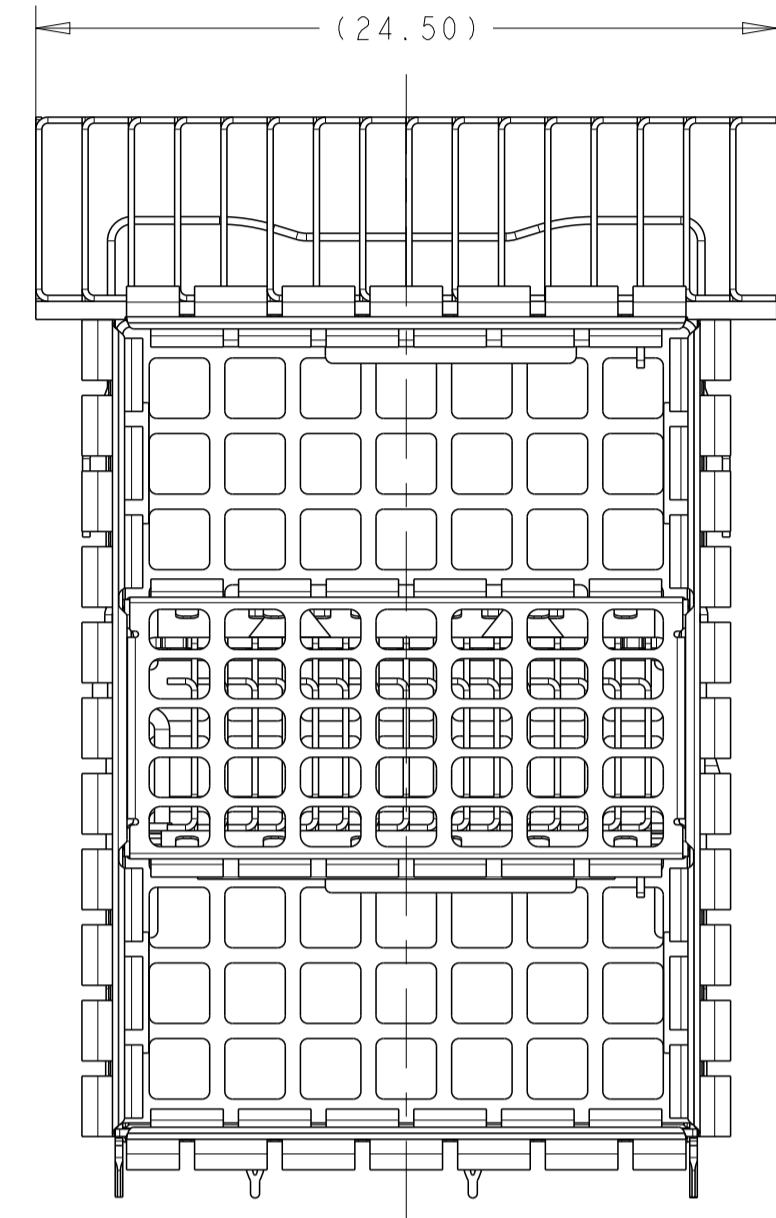


- △ CAGE ASSEMBLY: STAINLESS STEEL.  
HEAT SINK: ALUMINUM/NICKEL PLATING.  
HEAT SINK CLIP: STAINLESS STEEL.  
EMI SPRING: COPPER ALLOY/NICKEL PLATING.  
INSULATOR: UL94 V-0 GRADE.
- △ REFERENCE APPLICATION SPECIFICATION 114-60028 FOR RECOMMENDED DRILL HOLE DIAMETER AND PLATING THICKNESS. BOARD LAYOUT PER THIS PRINT.
- △ DATUM AND BASIC DIMENSION ESTABLISHED BY CUSTOMER.
- 4. MATES WITH QSFP DD MSA COMPATIBLE TRANSCEIVER.
- 5. MINIMUM PC BOARD THICKNESS: SINGLE SIDED: 1.57 MIN  
DOUBLE SIDED: 3.00 MIN
- △ DIMENSION APPLIES WITH MODULE INSERTED INTO CAGE.
- △ THE ENTIRE AREA OF THE CONNECTOR FOOTPRINT, INDICATED BY THE DASHED LINE, TO BE CONSIDERED THE KEEPOUT AREA FOR COMPONENTS.
- △ CROSS-HATCHED AREAS REPRESENT ZONES ON THE PCB THAT BE IN CLOSE PROXIMITY TO THE CAGE. INDICATED AREAS TO BE CONSIDERED TRACE FREE.

26.0	WITH UPPER AND INNER HS	2391506-2
22.75	WITH UPPER AND INNER HS	2391506-1
DIM A	DESCRIPTION	PART NUMBER

THIS DRAWING IS A CONTROLLED DOCUMENT.		DMN: RICHARD MA 13SEP2021	TE Connectivity
DIMENSIONS:		CHK: SUNY ZHAO 13SEP2021	
TOLERANCES UNLESS OTHERWISE SPECIFIED:		APVD: SUNY ZHAO 13SEP2021	
0 PLC ±0.25 1 PLC ±0.25 2 PLC ±0.20 3 PLC ±0.10 4 PLC ± ANGLES ° ±		NAME: QSFP-DD800 2X1 CAGE ASSEMBLY WITH HEAT SINK PRODUCT SPEC: 108-160330 APPLICATION SPEC:	
MATERIAL:	FINISH:	WEIGHT:	RESTRICTED TO:
CUSTOMER DRAWING		SCALE: 4:1	SHEET 1 OF 5 REV A

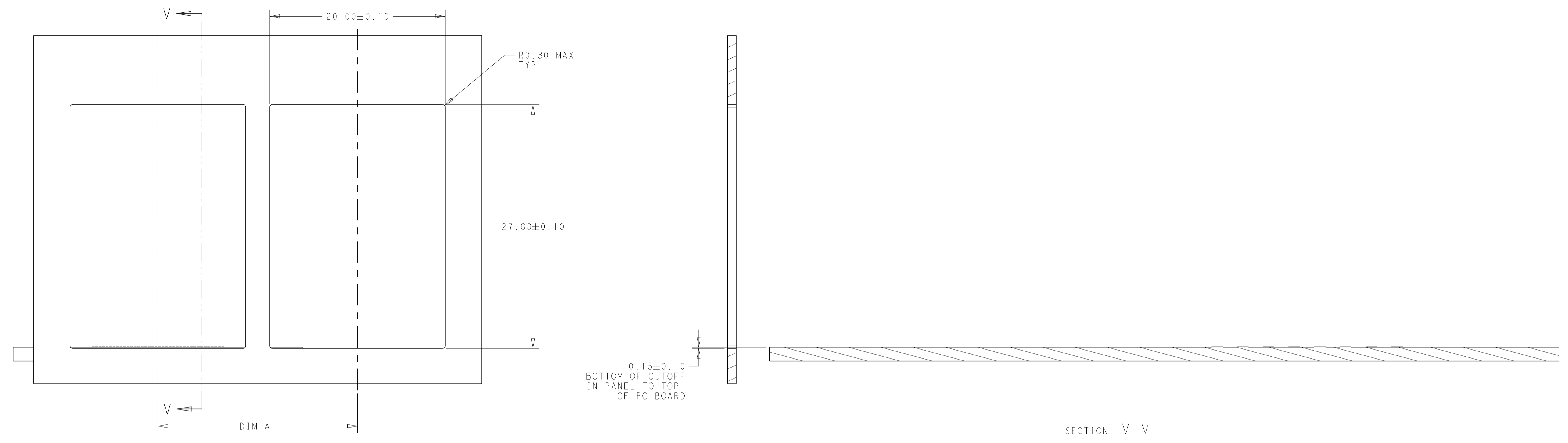
2391506-2 AS SHOWN  
 UNSPECIFIED DIMENSIONS REFER TO 2391506-1



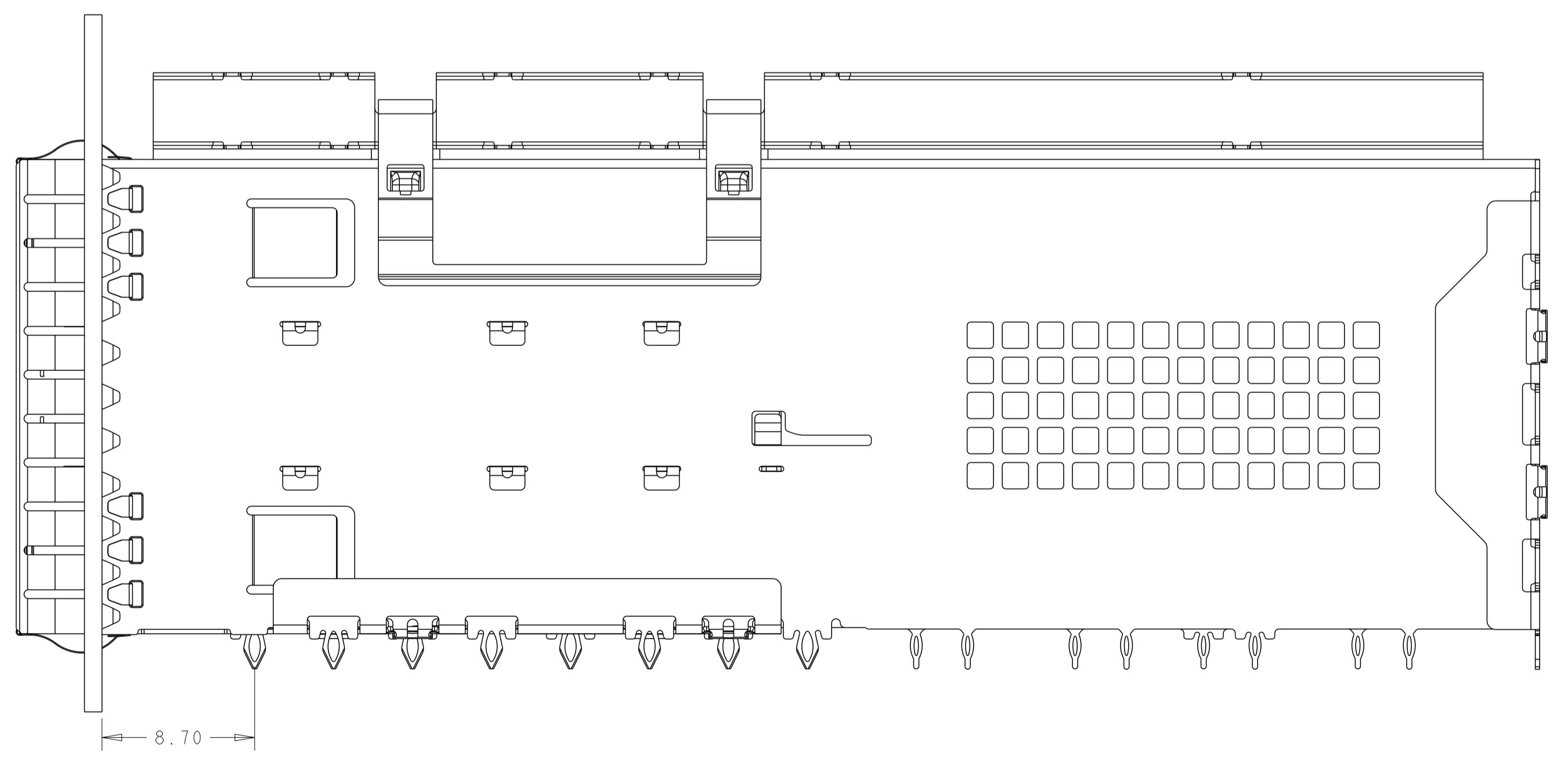
REVISIONS				
P.	LTN	DESCRIPTION	DATE	APPD
-	-	SEE SHEET 1	-	-

THIS DRAWING IS A CONTROLLED DOCUMENT.		DWN: RICHARD MA 13SEP2021	
DIMENSIONS: mm		CHK: SUNY ZHAO 13SEP2021	
TOLERANCES UNLESS OTHERWISE SPECIFIED: 0 PLC ±0.25 1 PLC ±0.25 2 PLC ±0.20 3 PLC ±0.10 4 PLC ± ANGLES ±		APVD: SUNY ZHAO 13SEP2021	NAME: QSFP-DD800 2X1 CAGE ASSEMBLY WITH HEAT SINK
MATERIAL: -		PRODUCT SPEC: 108-160330	SIZE: A100779
FINISH: -		APPLICATION SPEC: -	DRAWING NO: C=2391506
CUSTOMER DRAWING		WEIGHT: -	RESTRICTED TO: -
SCALE: 4:1		SHEET: 2 OF 5	REV: A

REVISIONS				
P.	LTN.	DESCRIPTION	DATE	APVD.
-	-	SEE SHEET 1	-	-



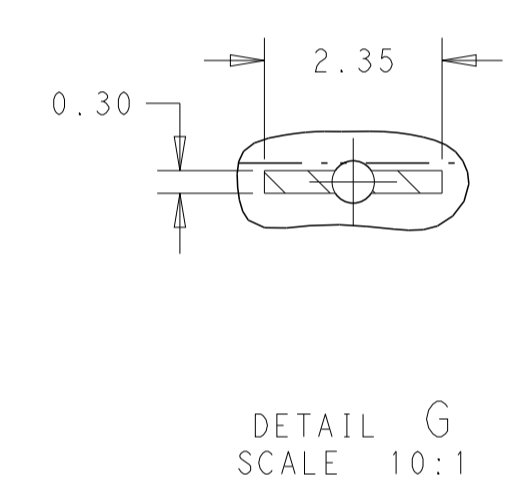
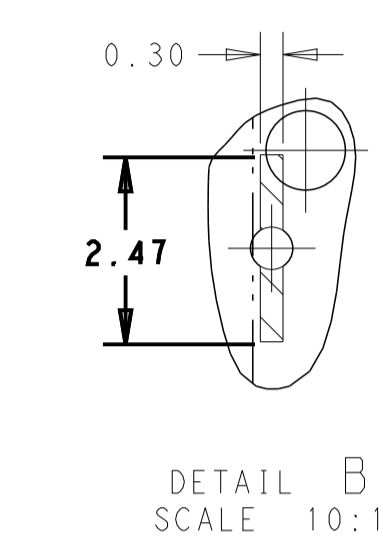
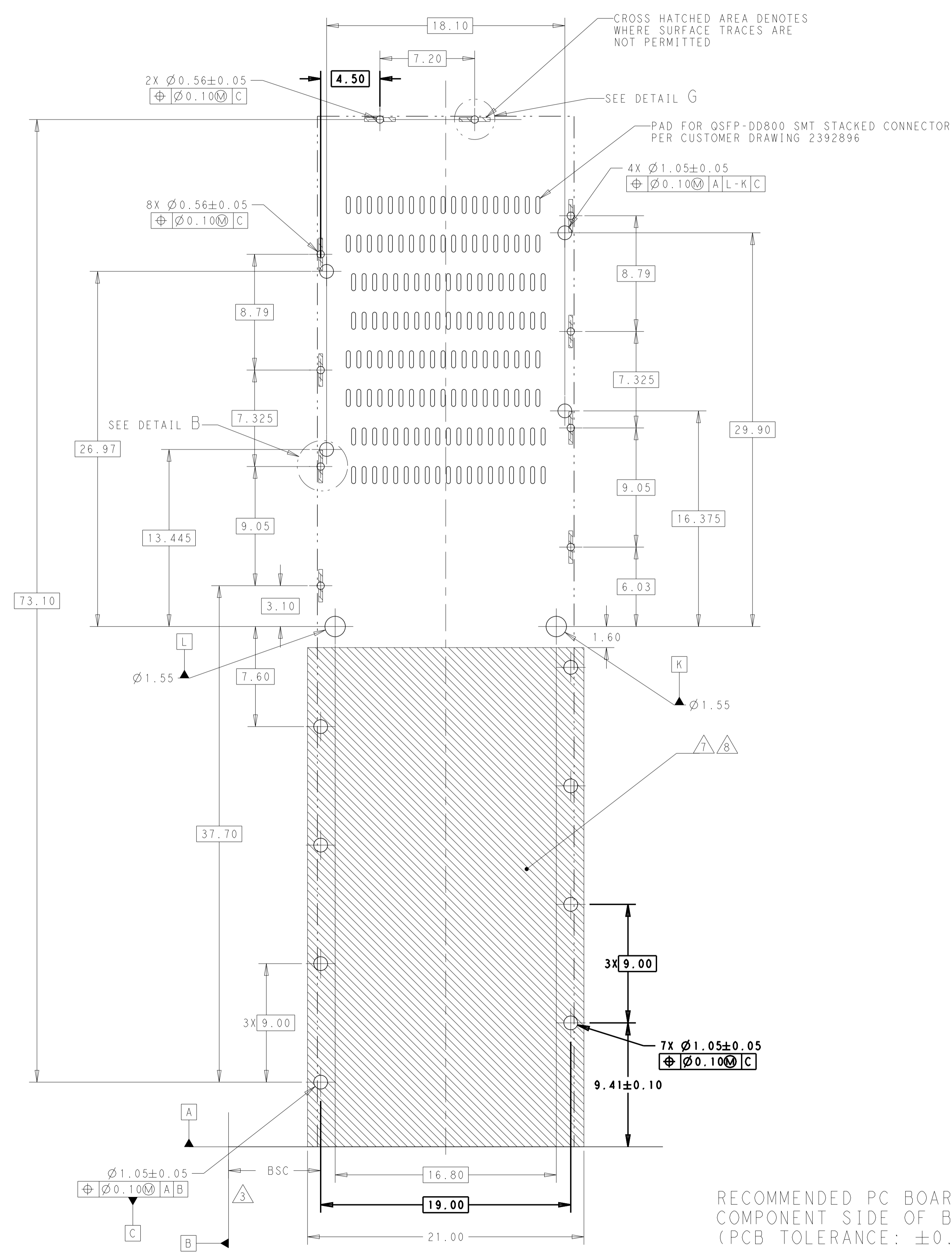
RECOMMENDED PANEL CUTOUT AND PC BOARD, PANEL POSITION



RECOMMENDED PANEL POSITION

THIS DRAWING IS A CONTROLLED DOCUMENT.		DWN: RICHARD MA 13SEP2021 CHK: SUNY ZHAO 13SEP2021 APVD: SUNY ZHAO 13SEP2021	<b>STE</b> TE Connectivity	
DIMENSIONS: mm TOLERANCES UNLESS OTHERWISE SPECIFIED: 0 PLC ±0.25 1 PLC ±0.25 2 PLC ±0.20 3 PLC ±0.10 4 PLC ± ANGLES FINISH ±		NAME: QSFP-DD800 2X1 CAGE ASSEMBLY WITH HEAT SINK PRODUCT SPEC: 108-160330 APPLICATION SPEC:	SIZE: A1 CAGE CODE: 00779 DRAWING NO: C=2391506	RESTRICTED TO:
MATERIAL: TBD		WEIGHT: -	SCALE: 4:1 SHEET 3 OF 5 REV A	
CUSTOMER DRAWING				

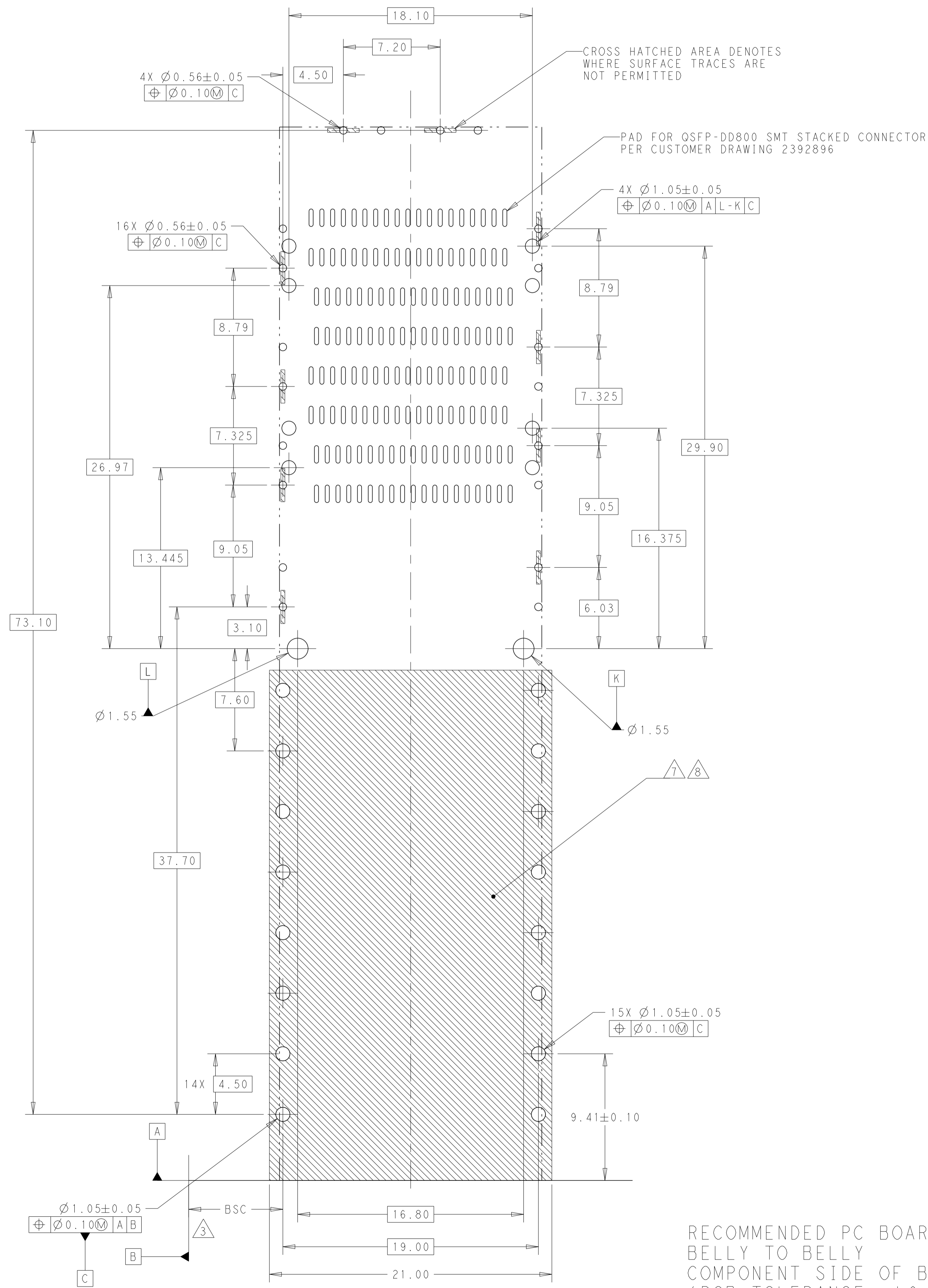
REVISIONS				
P.	LTN.	DESCRIPTION	DATE	APVD.
-	-	SEE SHEET 1	-	-



RECOMMENDED PC BOARD LAYOUT  
 COMPONENT SIDE OF BOARD  
 (PCB TOLERANCE: ±0.05)

THIS DRAWING IS A CONTROLLED DOCUMENT.		OWN: RICHARD MA 13SEP2021 CHK: SUNY ZHAO 13SEP2021	TE Connectivity
DIMENSIONS: mm		APVD: SUNY ZHAO 13SEP2021	
TOLERANCES UNLESS OTHERWISE SPECIFIED:		NAME: QSFP-DD800 2X1 CAGE ASSEMBLY WITH HEAT SINK	PRODUCT SPEC: 108-160330
0 PLC ±0.25 1 PLC ±0.25 2 PLC ±0.20 3 PLC ±0.10 4 PLC ± ANGLES FINISH: ±		APPLICATION SPEC: -	RESTRICTED TO: -
MATERIAL: TBD	WEIGHT: -	SIZE: A100779	DRAWING NO: C=2391506
CUSTOMER DRAWING		SCALE: 4:1	SHEET 4 OF 5 REV A

REVISIONS				
P	LTN	DESCRIPTION	DATE	APVD
-	-	SEE SHEET 1	-	-



RECOMMENDED PC BOARD LAYOUT  
 BELLY TO BELLY  
 COMPONENT SIDE OF BOARD  
 (PCB TOLERANCE: ±0.05)

THIS DRAWING IS A CONTROLLED DOCUMENT.		OWN: RICHARD MA 13SEP2021 CHK: SUNY ZHAO 13SEP2021	TE Connectivity
DIMENSIONS: mm		APVD: SUNY ZHAO 13SEP2021	
TOLERANCES UNLESS OTHERWISE SPECIFIED: 0 PLC ±0.25 1 PLC ±0.25 2 PLC ±0.20 3 PLC ±0.10 4 PLC ± ANGLES FINISH:		NAME: QSPF-DD800 2X1 CAGE ASSEMBLY WITH HEAT SINK PRODUCT SPEC: 108-160330 APPLICATION SPEC:	RESTRICTED TO:
MATERIAL: TBD	WEIGHT: -	SIZE: A100779 CAGE CODE: C=2391506	SCALE: 4:1 SHEET 5 OF 5 REV A
CUSTOMER DRAWING			