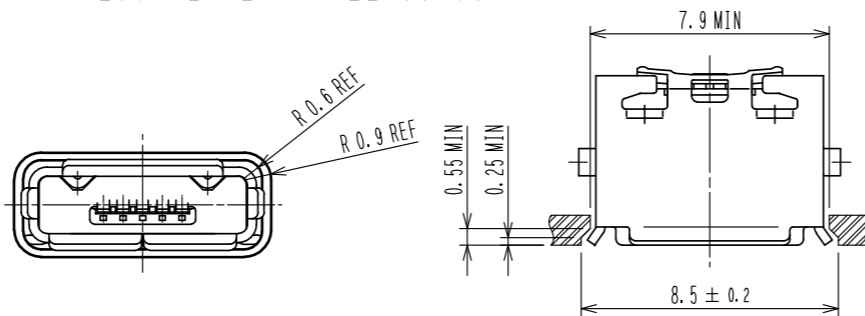
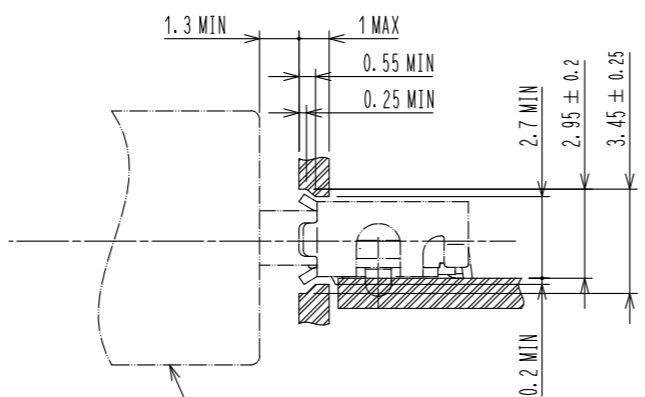


Jun.1.2024 Copyright 2024 HIROSE ELECTRIC CO., LTD. All Rights Reserved.
 In case of consideration for using Automotive equipment / device which demand high reliability, kindly contact our sales window correspondents.

RECOMMENDED PANEL CUTOUT (4:1)

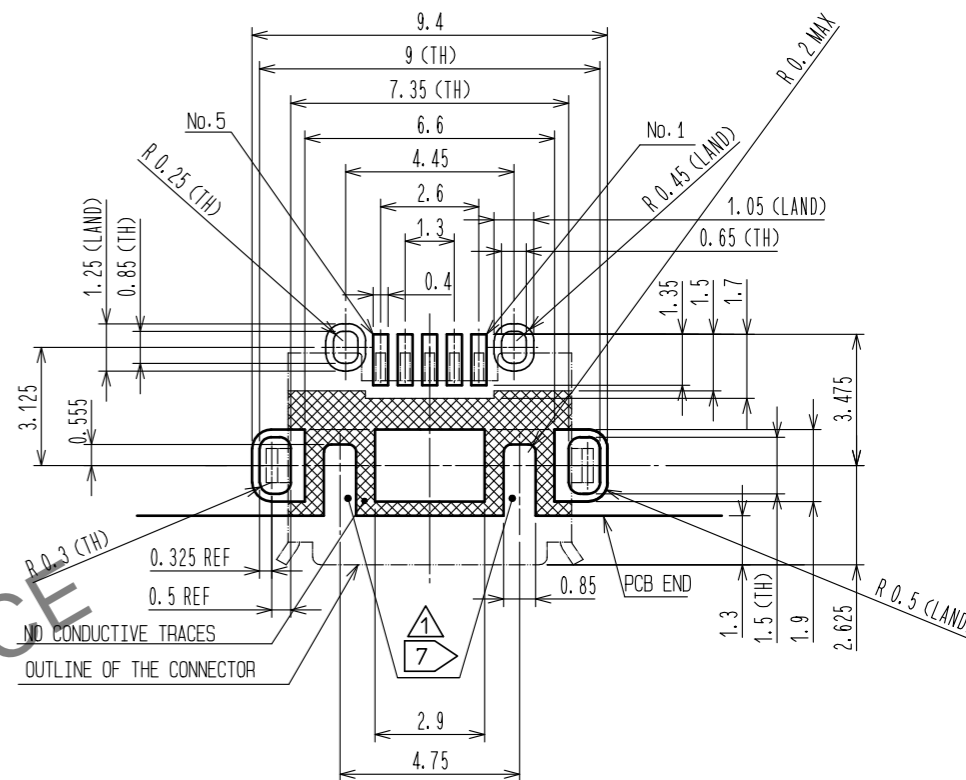


MATED WITH CORRESPONDING PLUG (4:1)

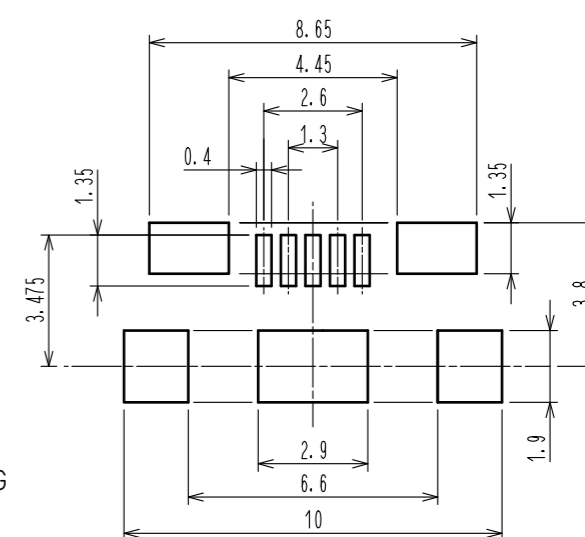


OUTLINE OF A OR B PLUG OF HIROSE'S MICRO USB™ ZX SERIES*

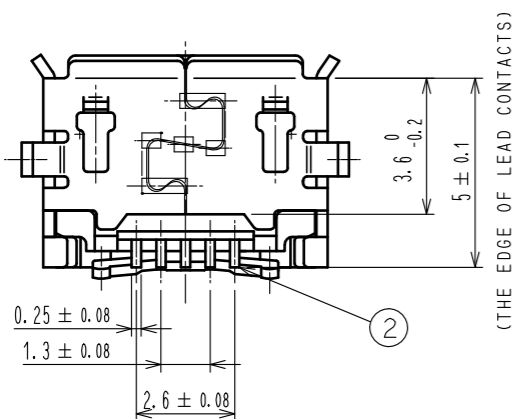
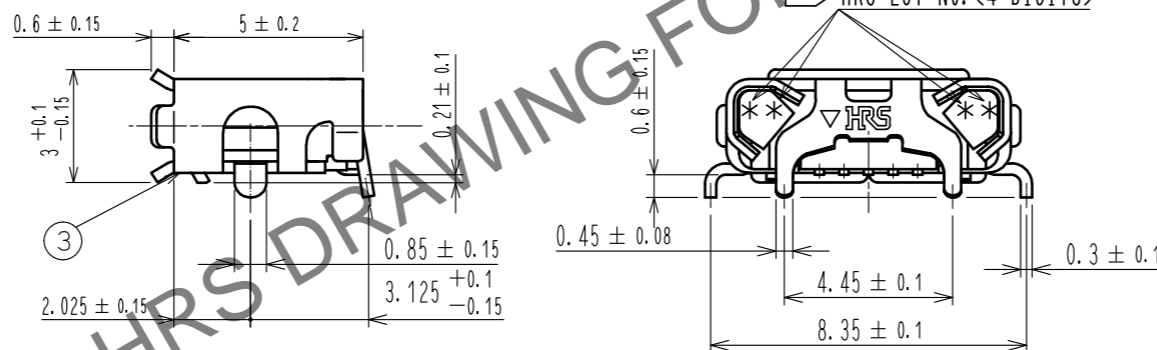
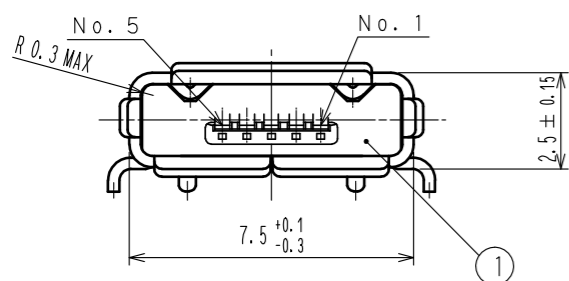
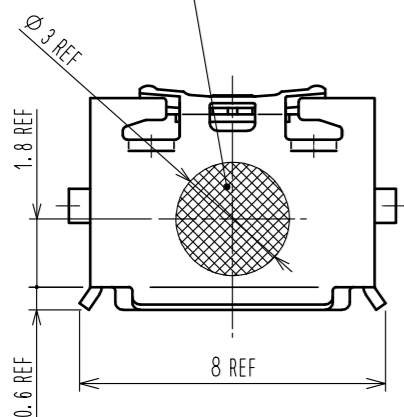
RECOMMENDED PATTERN
 GENERAL TOLERANCE IS ±0.05



RECOMMENDED METAL MASK OPENING
 RECOMMENDED METAL MASK THICKNESS: t=0.10



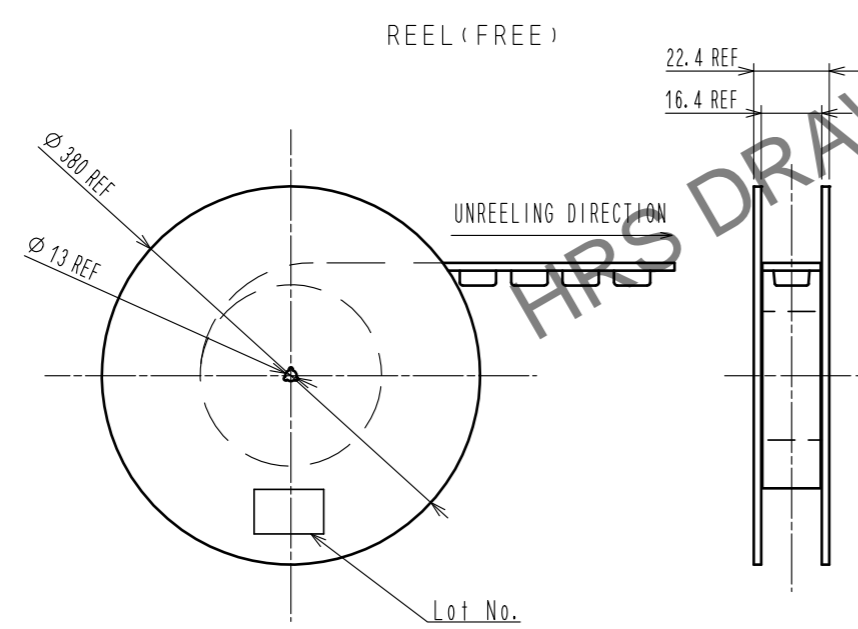
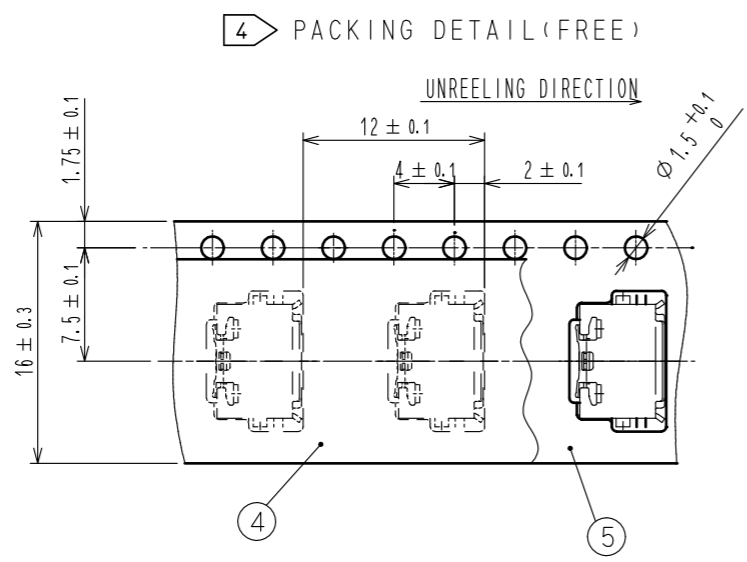
PICK & PLACE AREA



- NOTES.
1. INTERFACE DIMENSIONS CONFORMS TO USB2.0 SPECIFICATION.
 2. CO-PLANARITY IS WITHIN 0.08mm.
 3. PLATING CONTACT AREA : GOLD 0.75µm MIN. LEAD AREA : GOLD 0.05µm MIN. UNDER PLATING: NICKEL 2µm MIN.
 4. PER REEL : 2000 pcs.
 5. AS FOR PART No. 3, THE PERFORMANCE REMAINS GOOD EVEN IF THERE IS A RUBBING WOUND BY THE ASSEMBLY PROCESS. AND THE PERFORMANCE REMAINS GOOD EVEN IF THERE IS A DIFFERENCE OF THE COLOR OF PLATING WITH THE MANUFACTURING LOT.
 6. CODE CONFIGURATION IS SHOWN IN FIG. 1.
7. PCB CUTOUTS ARE NECESSARY TO PREVENT THE LOCK FROM HITTING THE PCB WHEN MATING PLUG.

2	COPPER ALLOY	3	5	PE	
1	LCP	COLOR GRAY UL94V-0	4	PS	
			3	STAINLESS STEEL	UNDER PLATING: NICKEL MOUNTING AREA: TIN LUBRICANT
NO.	MATERIAL	FINISH . REMARKS	NO.	MATERIAL	FINISH . REMARKS
UNITS mm		SCALE 5 : 1	COUNT 2	DESCRIPTION OF REVISIONS DIS-E-00011746	DESIGNED KIM JAEHYEON
					CHECKED KG. OKITA
					DATE 20221122
					DRAWING NO. EDC-126189-30-00
					PART NO. ZX62RD-AB-5P8(30)
					CODE NO. CL0242-0025-0-30
					1/2

Jun.1.2024 Copyright 2024 HIROSE ELECTRIC CO., LTD. All Rights Reserved.
 In case of consideration for using Automotive equipment / device which demand high reliability, kindly contact our sales window correspondents.



6 FIG. 1 LOT CODE CONFIGURATIONS FOR 4 DIGITS

YEAR		MONTH		DAY						LINE No.	
YEAR	CODE	MONTH	CODE	DAY	CODE	DAY	CODE	DAY	CODE	LINE No.	CODE
2007	7	Jan.	A	1	1	11	B	21	M	1	A
2008	8	Feb.	B	2	2	12	C	22	N	2	B
2009	9	Mar.	C	3	3	13	D	23	P	3	C
2010	0	Apr.	D	4	4	14	E	24	Q	4	D
2011	1	May.	E	5	5	15	F	25	R	5	E
		Jun.	F	6	6	16	G	26	S	6	F
		Jul.	G	7	7	17	H	27	T	7	G
		Aug.	H	8	8	18	J	28	U	8	H
		Sep.	I	9	9	19	K	29	V	9	I
		Oct.	J	10	A	20	L	30	W	10	J
		Nov.	K					31	X	11	K
		Dec.	L								

HRS	DRAWING NO.	EDC-126189-30-00
	PART NO.	ZX62RD-AB-5P8(30)
	CODE NO.	CLO242-0025-0-30

2/2