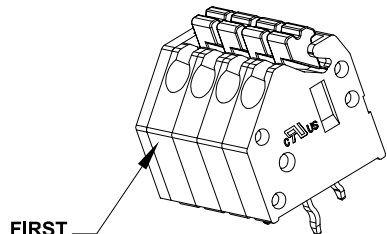
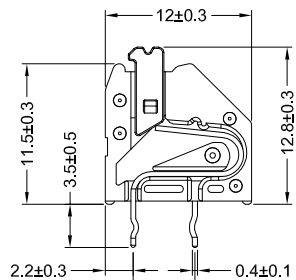
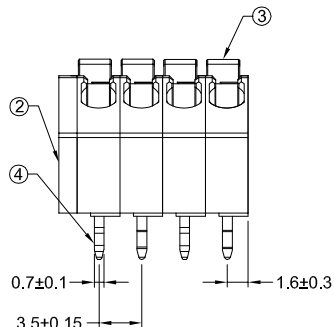
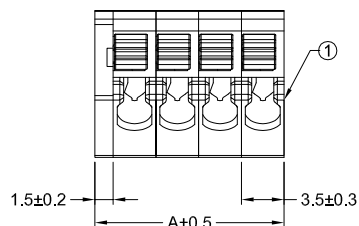


THIS DRAWING IS UNPUBLISHED. BY -
 RELEASED FOR PUBLICATION 20
 ALL RIGHTS RESERVED.

LOC		DIST		REVISIONS			
P	LTR	DESCRIPTION		DATE	DWN	APVD	
A		FIRST VERSION		12JAN2016	GF	SM	
B		ADD NEW P/N		08SEP2016	GF	SM	



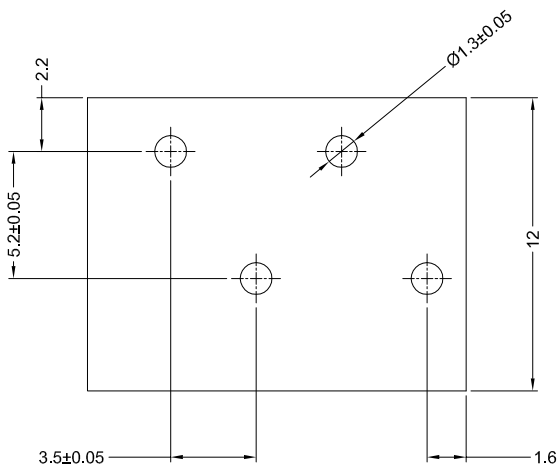
FIRST POLE



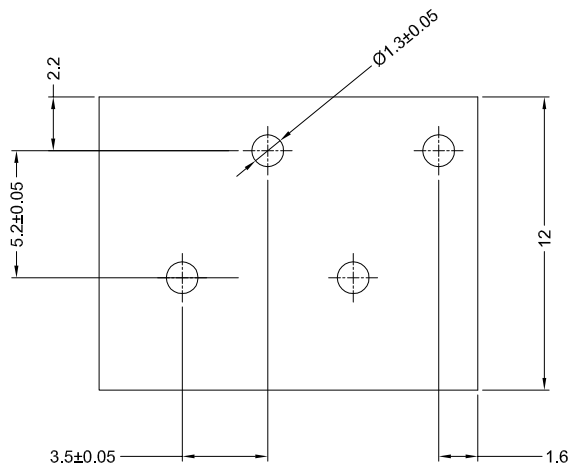
DETAIL INNER

NOTES :

- ⚠ MATERIALS AND FINISH:
 - HOUSING: PA66
 - CONTACTS: COPPER ALLOY, FINISH: TIN OVER NICKEL UNDERPLATE
- 2. MUST COMPLY WITH DIRECTIVE 2002/95/EC (ROHS)
- 3. WIRE TYPES AND SIZES ACCEPTED
 WIRE RANGE: 14AWG~24AWG.
 STRIP LENGTH: 7.5mm~8.5mm
- 4. PACKAGED IN TRAY.
- 5. CURRENT RATING: 6Amp AC300V.
- 6. OPERATION TEMPERATURE: -40°C TO +105°C
- 7. THIS PART No. IS THE SAME STRUCTURE AS THE SERIES: 2834011
 THE DATASHEET AND MORE DETAILS PLEASE FOLLOW THE SERIES: 2834011



RECOMMEND PCB LAYOUT 1



RECOMMEND PCB LAYOUT 2

④	CONTACT
③	LEVER
②	COVER
①	HOUSING

26	7 POSN
22.5	6 POSN
19	5 POSN
15.5	4 POSN
12	3 POSN
8.5	2 POSN
A	NO. OF POSITIONS

THIS DRAWING IS A CONTROLLED DOCUMENT.

DIMENSIONS: mm	TOLERANCES UNLESS OTHERWISE SPECIFIED	DWN: GEORGE FU 08SEP2016	DRW: SHI MING 08SEP2016	APVD: XU XIANG 08SEP2016	NAME: 3.5mm Top Entry Modular Screwless Conn.
0 PLC ±0.20	1 PLC ±0.15	CAGE CODE: A200779		DRAWING NO: C=2834026	
2 PLC ±0.1	3 PLC ±	RESTRICTED TO: -		SCALE: 1:1	
4 PLC ±	ANGLES: 45°	SHEET: 1 OF 2		REV: B	
MATERIAL: ①	FINISH: ①	CUSTOMER DRAWING			

