

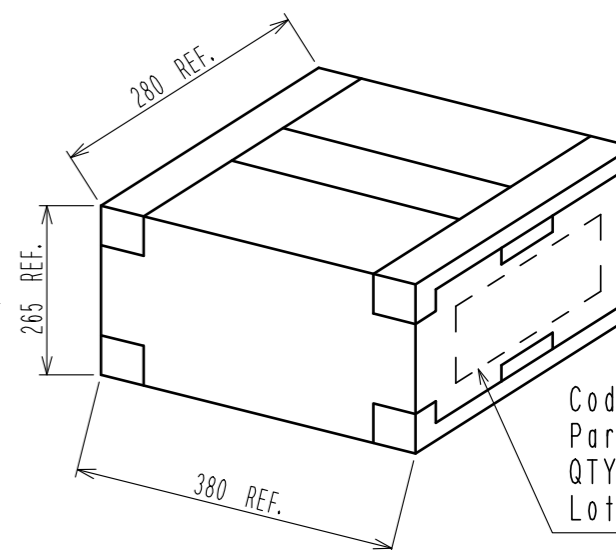
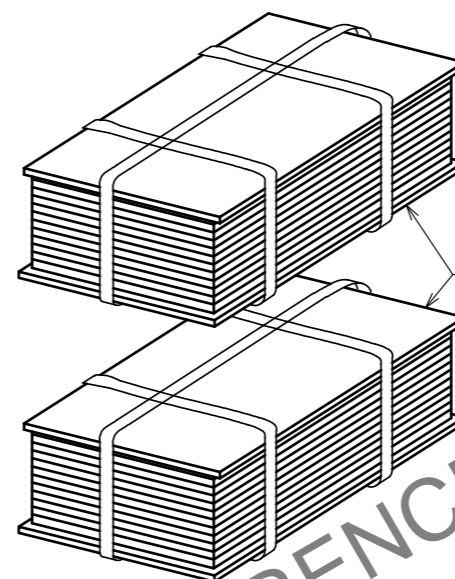
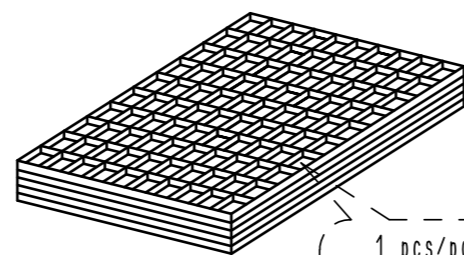
Jun.1.2024 Copyright 2024 HIROSE ELECTRIC CO., LTD. All Rights Reserved.
 In case of consideration for using Automotive equipment / device which demand high reliability, kindly contact our sales window correspondents.

Fig-1 PACKING SPECIFICATION -IN THE CASE OF 2000 pcs-(FREE)

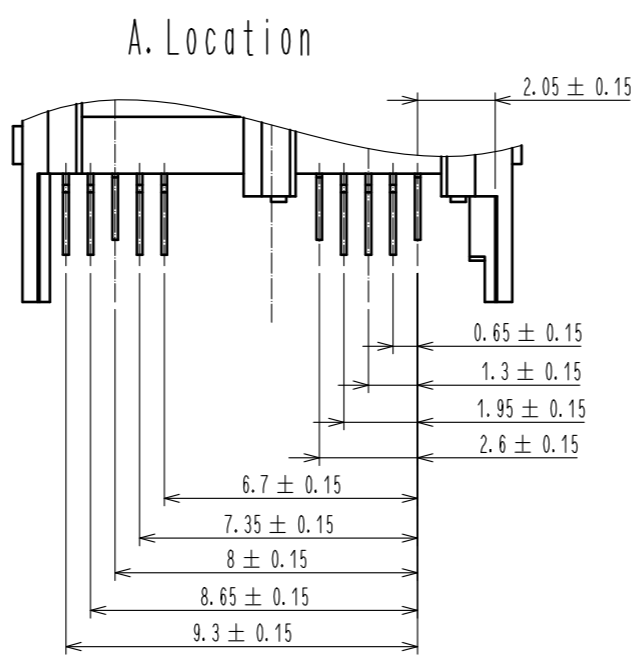
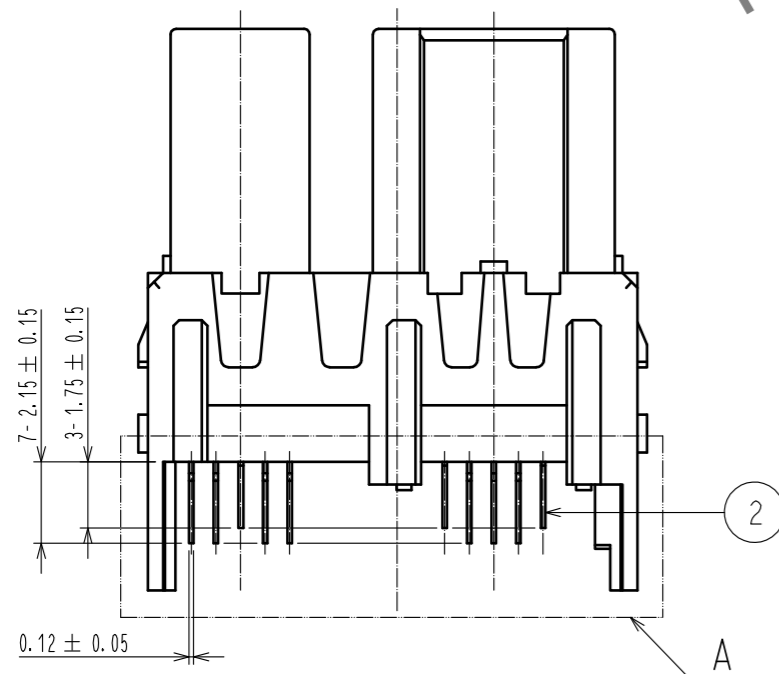
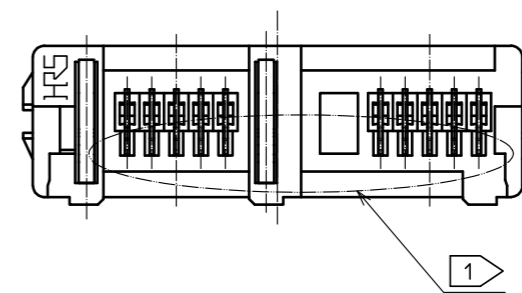
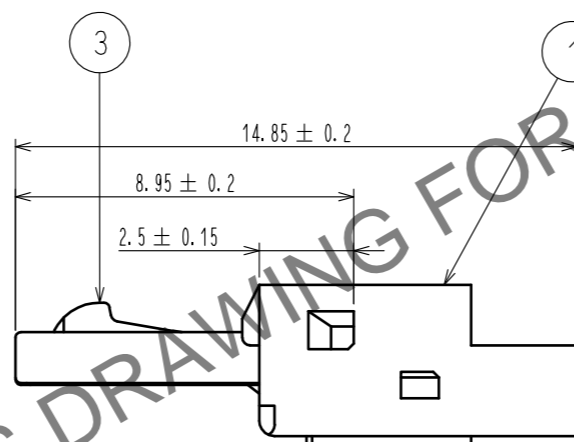
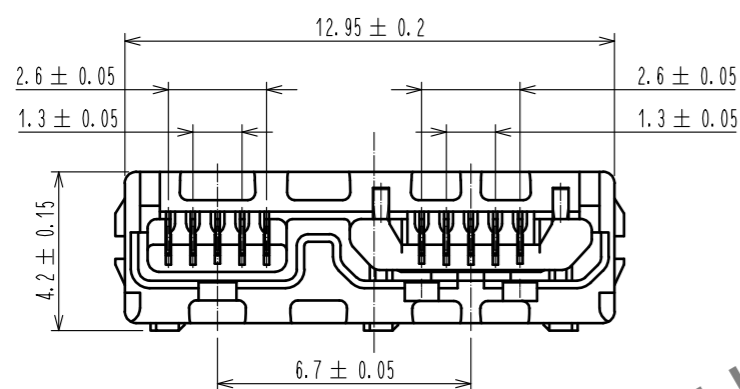
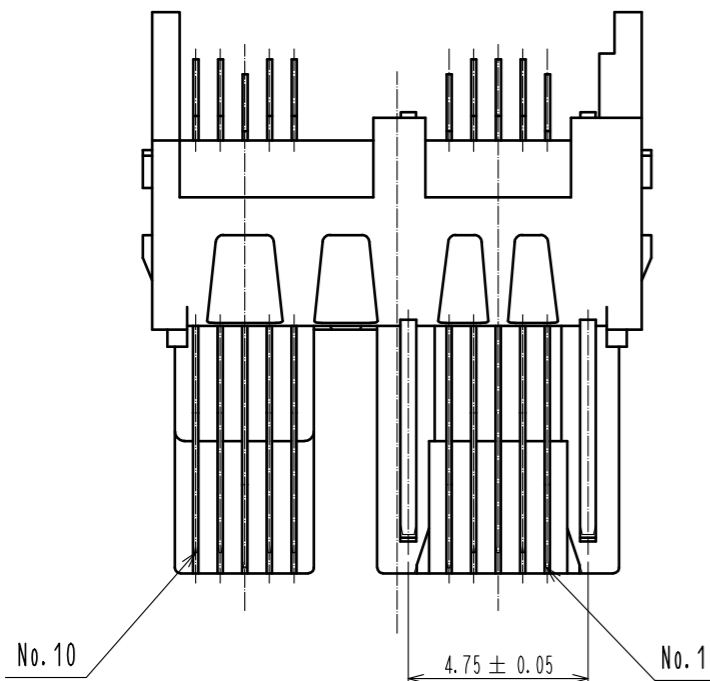
2. BIND THE TRAYS WITH CONNECTOR UNITS AS SHOWN BELOW.

3. SET THE TRAYS INSIDE THE CARDBOARD BOX.

1. PLACE THE CONNECTOR UNIT INTO THE TRAY.
 (100 pcs per tray)



Code No.
 Part No.
 QTY
 Lot No.



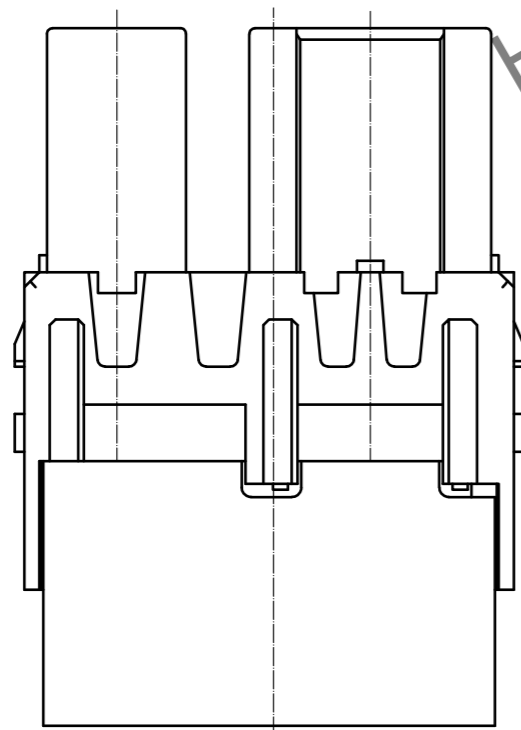
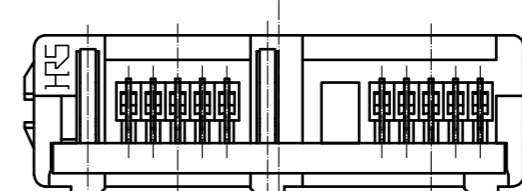
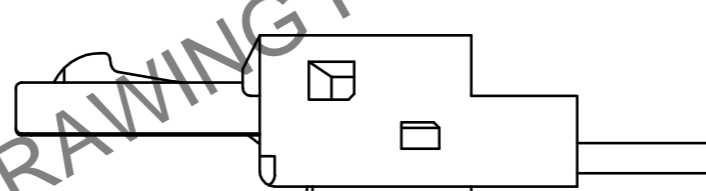
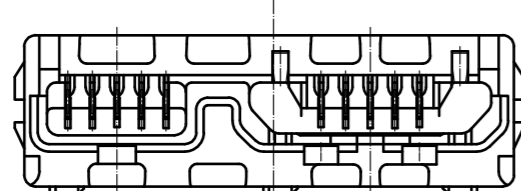
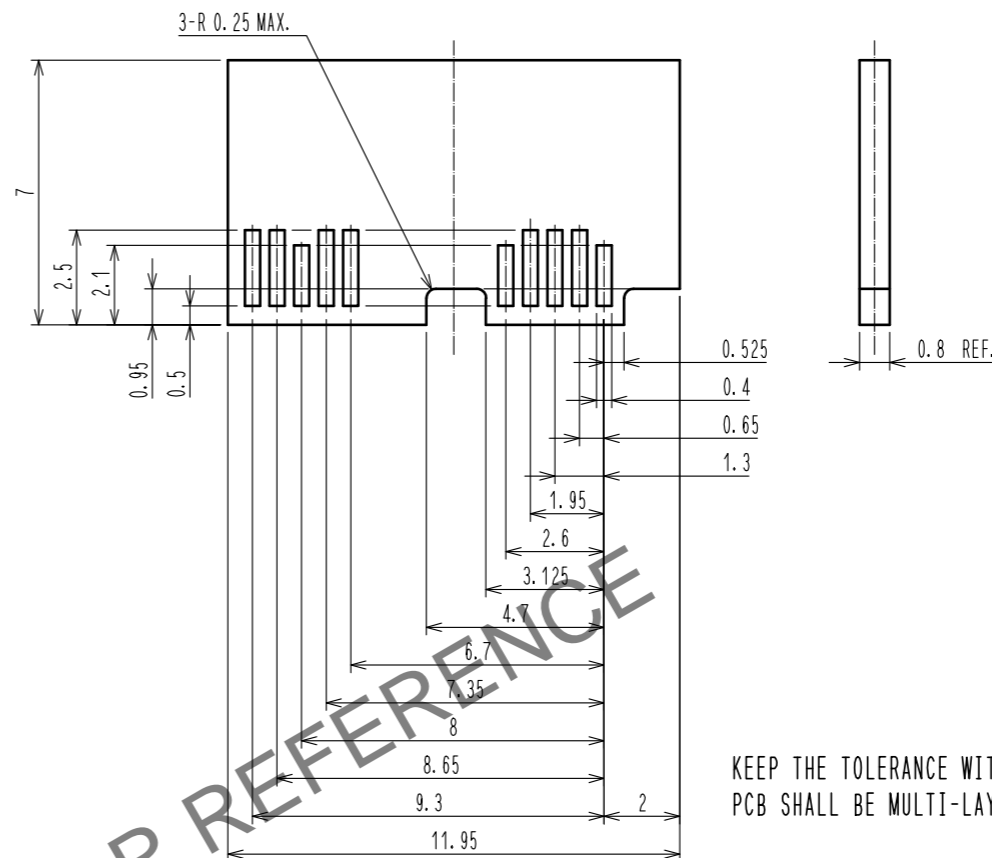
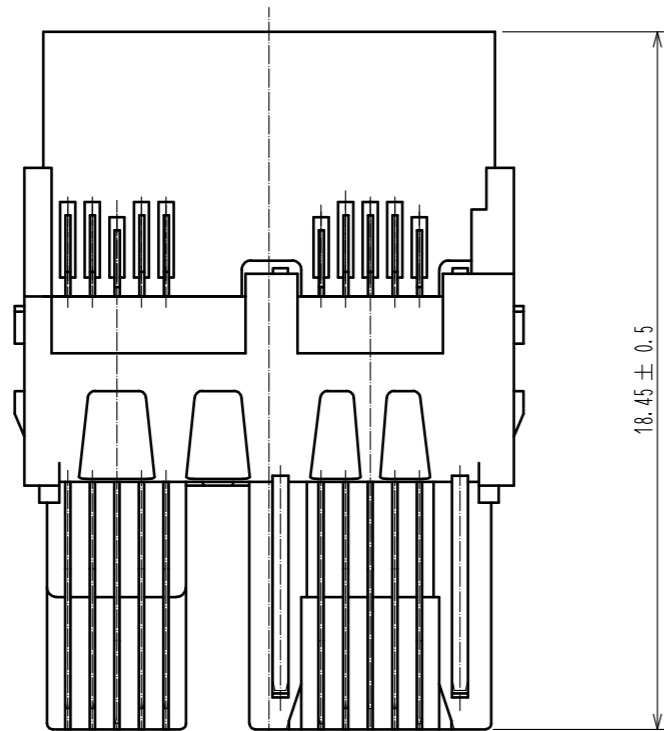
△ Halogen-Free
 Lead Free Process
 RoHS Compliant

2	COPPER ALLOY	CONTACT AREA:GOLD PLATING 0.75μm min MOUNTING AREA:TIN PLATING 1μm min UNDER PLATING:NICKEL PLATING 2μm min	3	STAINLESS STEEL	
1	LCP	UL94V-0 , BLACK			
NO.	MATERIAL	FINISH . REMARKS	NO.	MATERIAL	FINISH . REMARKS
UNITS		SCALE	COUNT	DESCRIPTION OF REVISIONS	
mm		5 : 1	△ 1	DIS-E-00001801	
APPROVED : NM. NISHIMATSU 20151027			DRAWING NO. EDC-127029-30-00		
CHECKED : KN. ICHIKAWA 20151027			PART NO. ZX360-B-10S-UNIT(30)		
DESIGNED : TS. ITO 20151027			CODE NO. CL242-0501-4-30		
DRAWN : AK. AKIYAMA 20151027			DATE 20181004		
DESIGNED : YS. SAKODA			CHECKED : AH. KODAMA		
DRAWING NO. EDC-127029-30-00			DATE 20181004		
PART NO. ZX360-B-10S-UNIT(30)			CODE NO. CL242-0501-4-30		
DRAWN : AK. AKIYAMA 20151027			DATE 20181004		

Jun.1.2024 Copyright 2024 HIROSE ELECTRIC CO., LTD. All Rights Reserved.
In case of consideration for using Automotive equipment / device which demand high reliability, kindly contact our sales window correspondents.

Fig-2. CONNECTOR MOUNTED ON PCB

PCB LAYOUT FOR REFERENCE



HRS	DRAWING NO.	EDC-127029-30-00
	PART NO.	ZX360-B-10S-UNIT(30)
	CODE NO.	CL242-0501-4-30
		2/3

Jun.1.2024 Copyright 2024 HIROSE ELECTRIC CO., LTD. All Rights Reserved.
 In case of consideration for using Automotive equipment / device which demand high reliability, kindly contact our sales window correspondents.

Fig-3 SHIELDING-PLATE ASSEMBLY

OVER-MOLDING (REFERENCE) (FREE)

ZX360-B-SLDA(SOLD SEPARATELY)

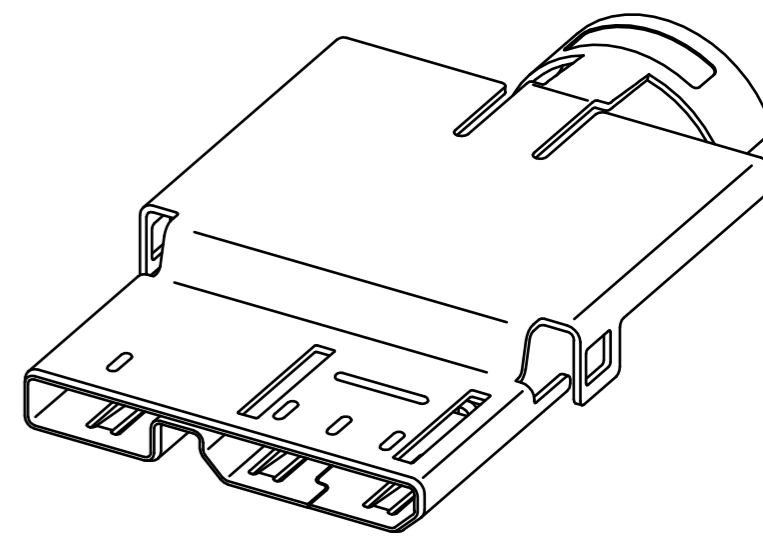
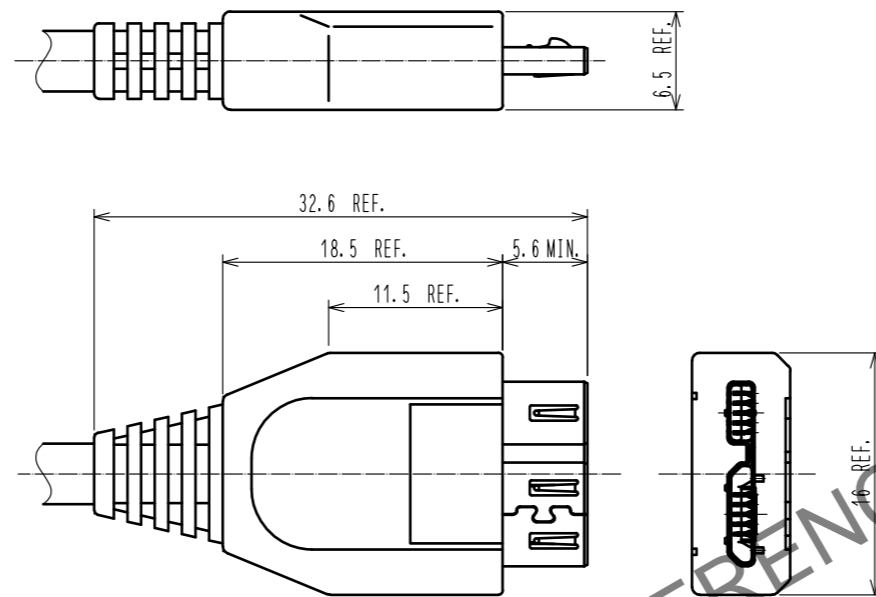
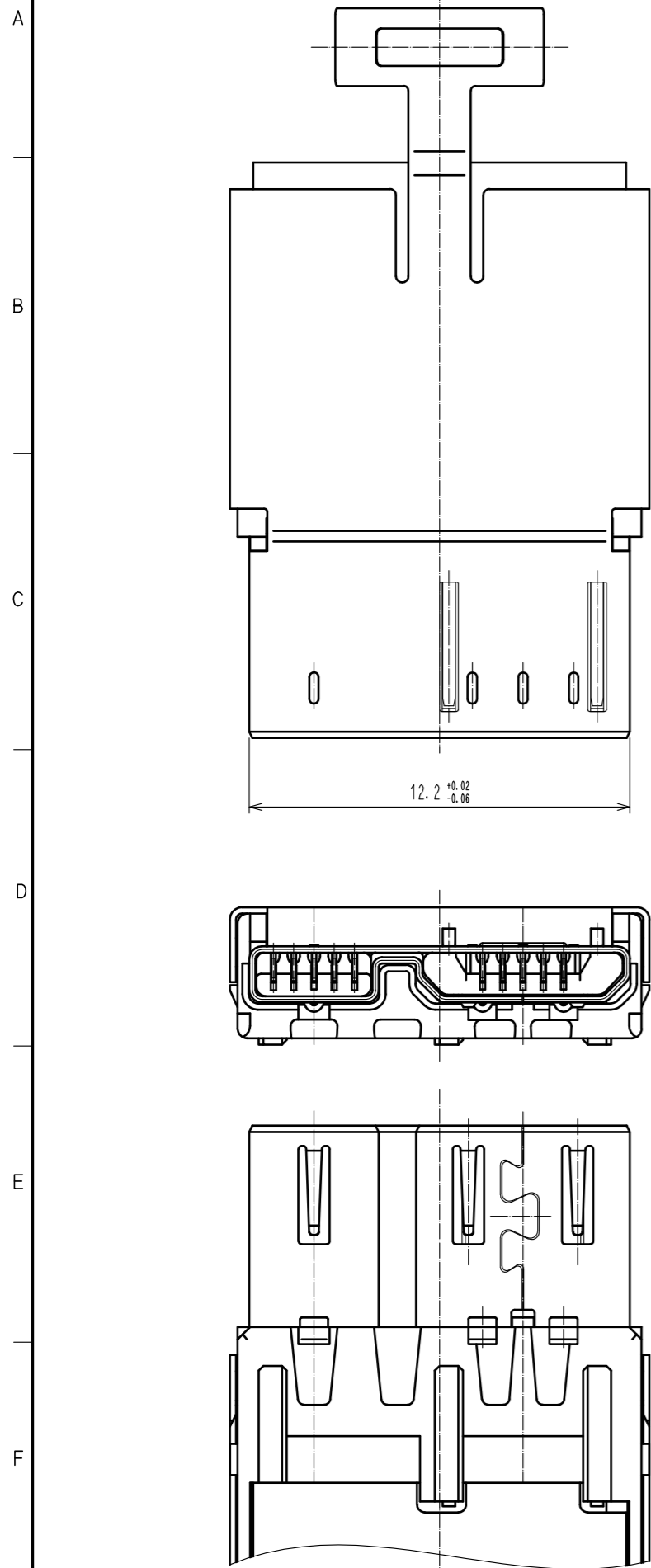
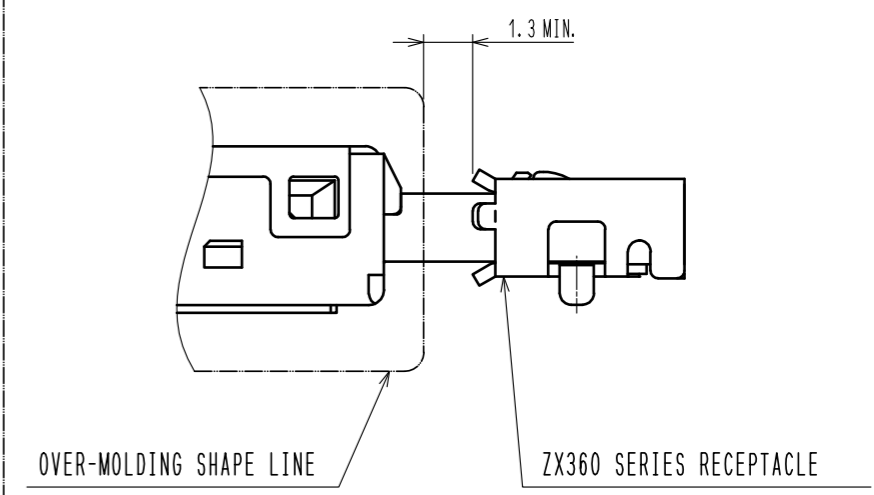
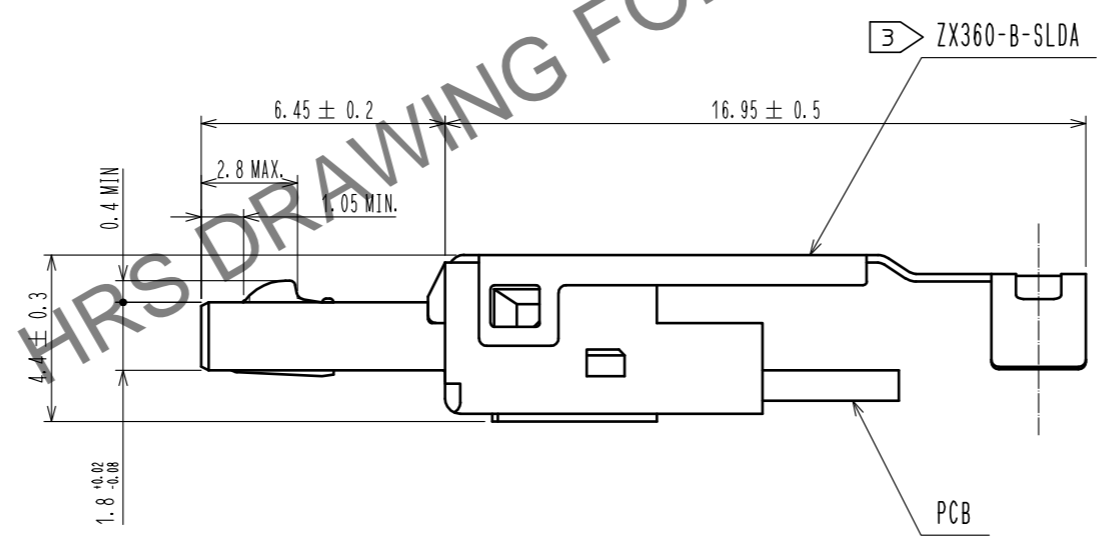


Fig-4 MATED WITH CORRESPONDING PLUG



HRS	DRAWING NO.	EDC-127029-30-00
	PART NO.	ZX360-B-10S-UNIT(30)
	CODE NO.	CL242-0501-4-30
		3/3