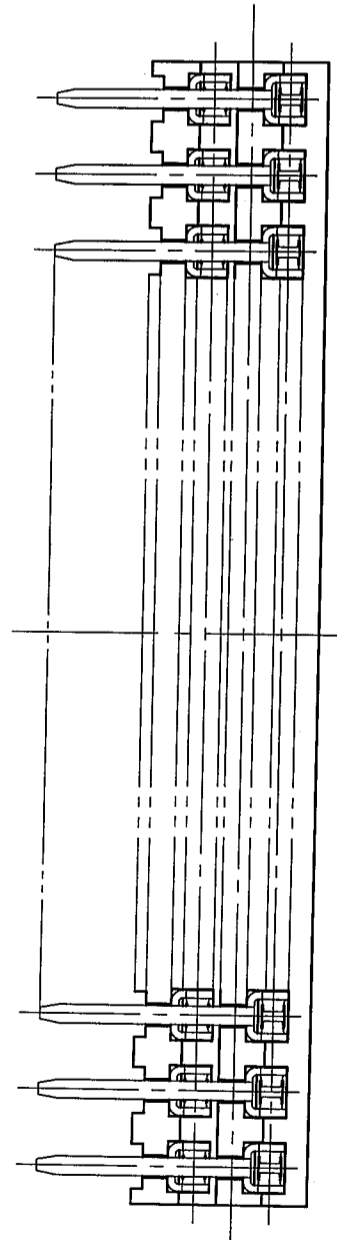
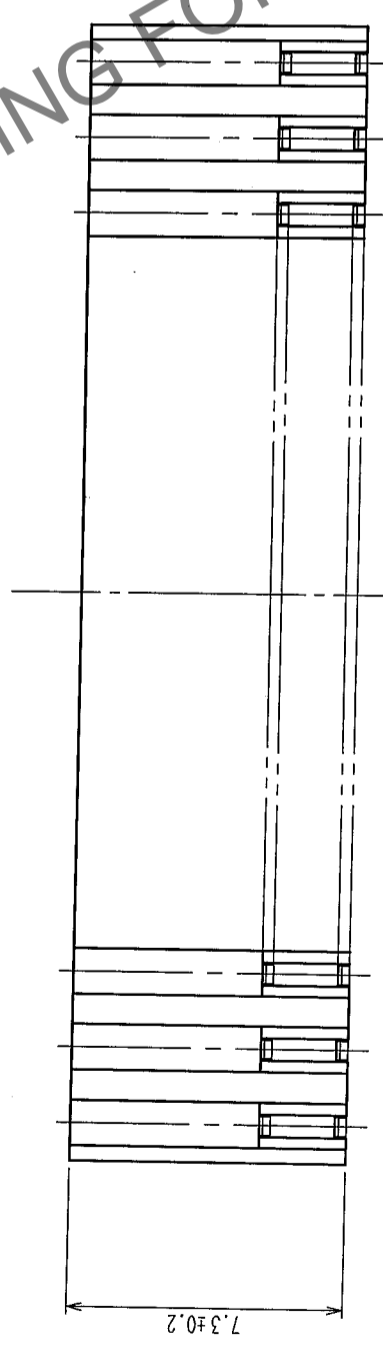
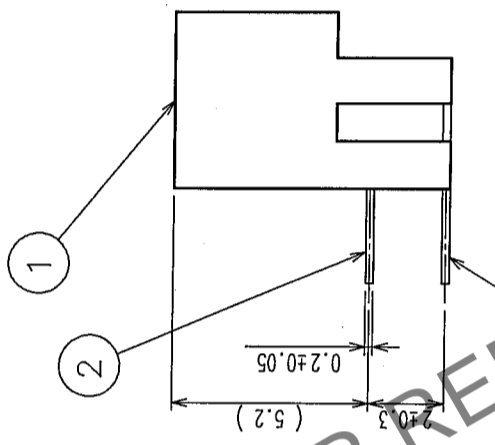
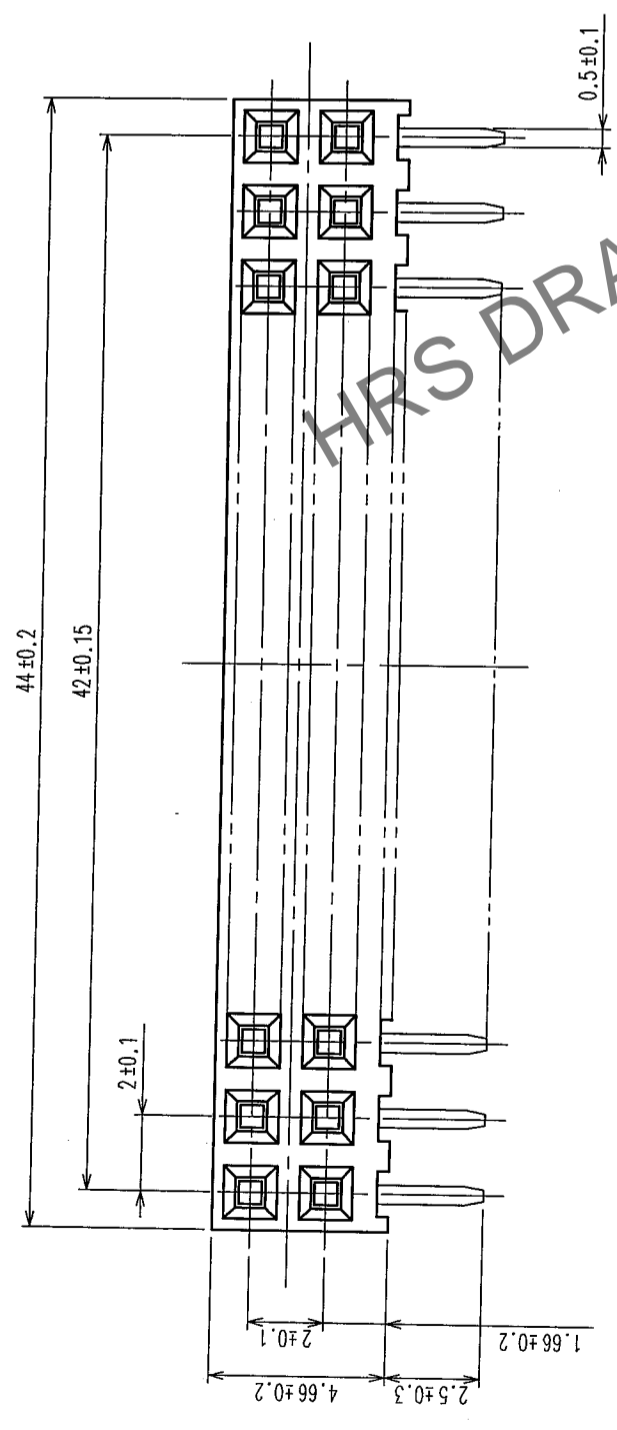
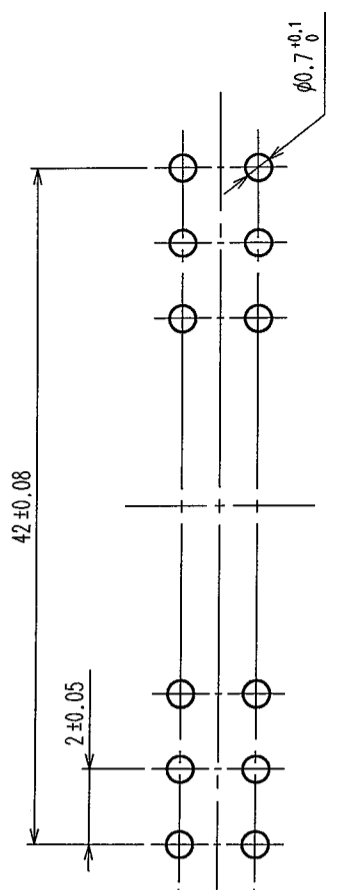


3 Jun.1.2024 Copyright 2024 HIROSE ELECTRIC CO., LTD. All Rights Reserved.
 In case of consideration for using Automotive equipment / device which demand high reliability, kindly contact our sales window correspondents.

COUNT	DESCRIPTION OF REVISIONS	BY	CHKD	DATE
△				
△				
△				

COUNT	DESCRIPTION OF REVISIONS	BY	CHKD	DATE
△				
△				
△				

RECOMMENDED PC BOARD HOLE PATTERN
 (MOUNTING SIDE)



NOTES
 1 THE CONTACT CUT SECTION IS UNPLATED
 2 THE DIMENSIONS IN PARENTHESES ARE FOR REFERENCE.

NO.	MATERIAL	FINISH, REMARKS	NO.	MATERIAL	FINISH, REMARKS
1	PBT	BLACK UL94V-0	2-3	BRASS	CONTACT AREA: GOLD PLATING 0.2μm min DIP AREA: TIN PLATING 1μm min UNDER PLATING: NICKEL 1μm min

DRAWN	DESIGNED	CHECKED	APPROVED	RELEASED
K. Doi	K. Doi	K. Ogawa	K. Ogawa	
'04.12.02	'04.12.02	'04.12.02	'04.12.02	

SCALE	FR:EE	DRAWING NO.	EDC3-082296-21	PART NO.	A3-44DA-2DS(71)
UNITS	mm	CODE NO. (OLD)		CODE NO.	CL621-0711-9-71

TO
PCK