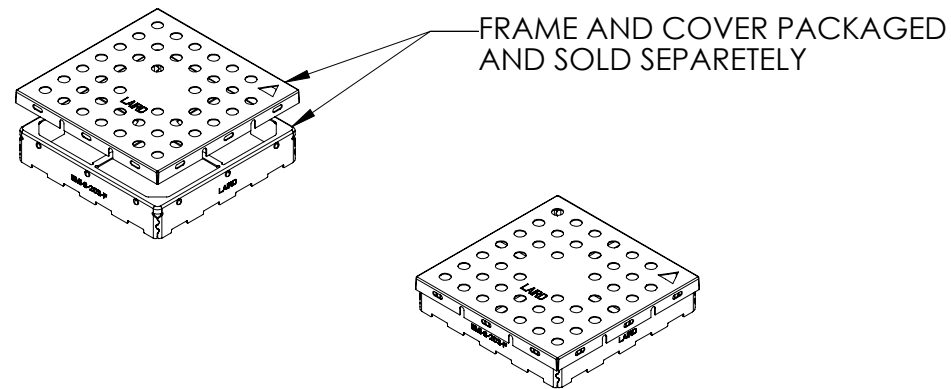
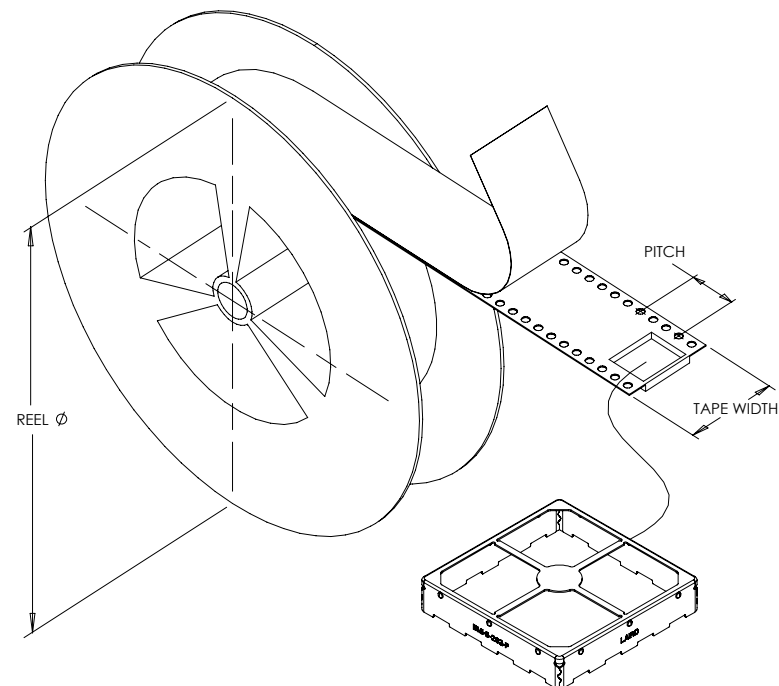
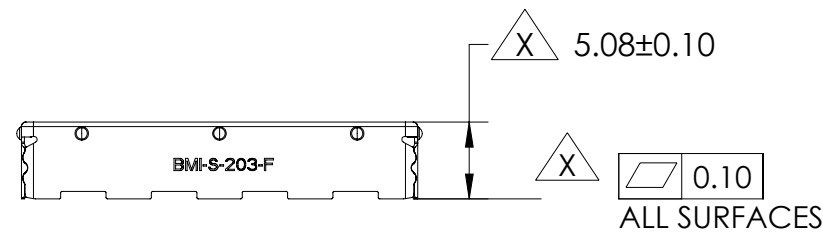
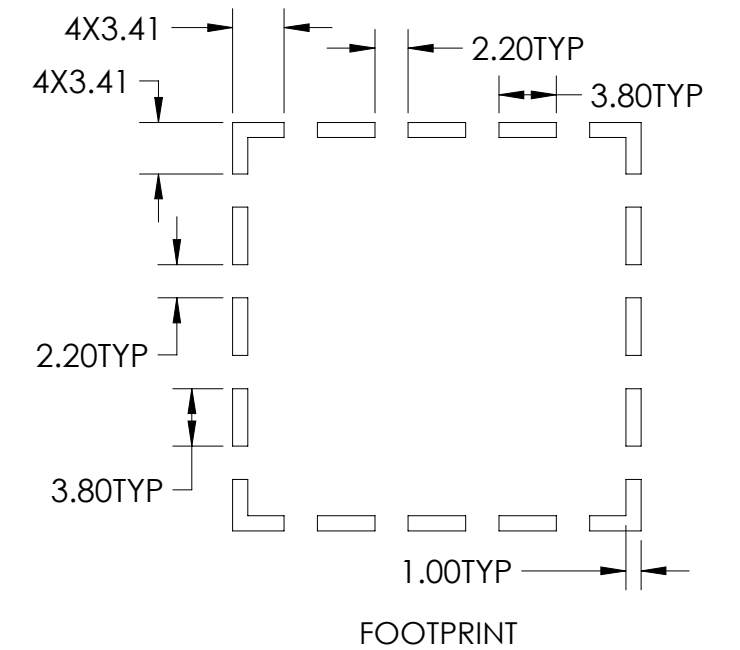
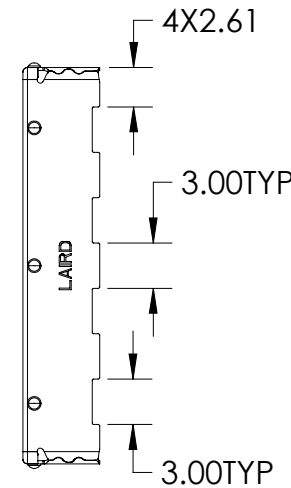
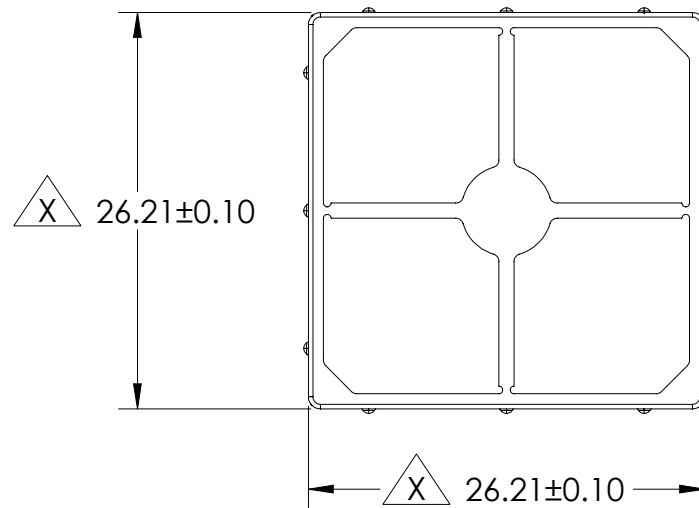
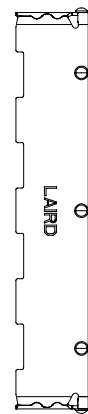
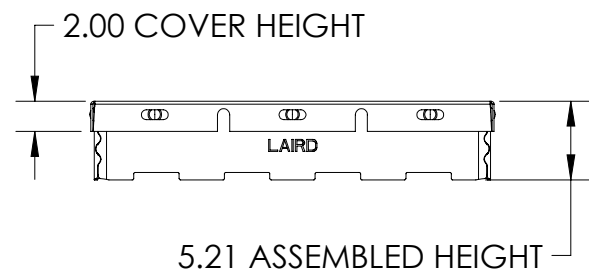
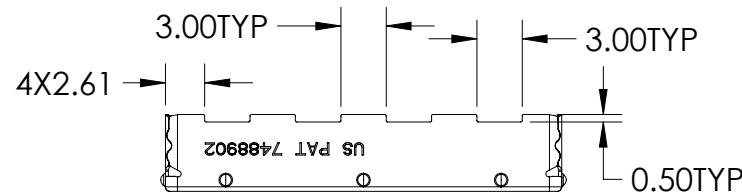


FUNCTION	PART NUMBER	MATERIAL/FINISH	PACKAGING			
FRAME	BMI-S-203-F	.20MM 1008/1010 PRE-PLATED COLD ROLLED STEEL 1/2 HARD 1.25-5.00 MICRONS 100% MATTE TIN	TAPE AND REEL			
			REEL DIAMETER	TAPE WIDTH	PITCH	QUANTITY
COVER	BMI-S-203-C	.13MM 1008/1010 PRE-PLATED COLD ROLLED STEEL 1/2 HARD 1.25-5.00 MICRONS 100% MATTE TIN	381MM	44MM	36MM	300
			BULK PACK			



NOTES:

- OTHER MATERIAL OPTIONS MAY BE AVAILABLE, CONSULT SALES
- OTHER PACKAGING OPTIONS MAY BE AVAILABLE, CONSULT SALES



PART MARKING ON SIDES IS NOT INTENDED TO BE RELEVANT TO PART ORIENTATION IN CARRIER TAPE.

CRITICAL DIMENSIONS ARE DESIGNATED BY X

US PATENT 7488902

	PART DESCRIPTION:	BOARD LEVEL SHIELD		LAIRD PART NUMBER:	BMI-S-203-SALES
	CUSTOMER:	LAIRD CATALOG			
3RD ANGLE PROJECTION	PROGRAM NAME:	STANDARDS		MODEL BY:	NL
DESIGNED IN SOLIDWORKS	CUSTOMER PART NUMBER:	N/A		DATE:	08/03/23
SCALE: 2:1	SHEET 1 OF 1	SIZE	B	APPROVED BY:	X
				DATE:	XX/XX/XXXX
<p>INFORMATION CONTAINED IN THIS DOCUMENT IS CONFIDENTIAL AND PROPRIETARY TO LAIRD TECHNOLOGIES. IT MAY NOT BE DISCLOSED TO ANYONE WITHOUT WRITTEN AUTHORIZATION FROM LAIRD TECHNOLOGIES</p>					

SALES