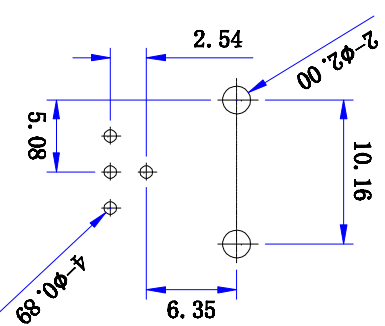
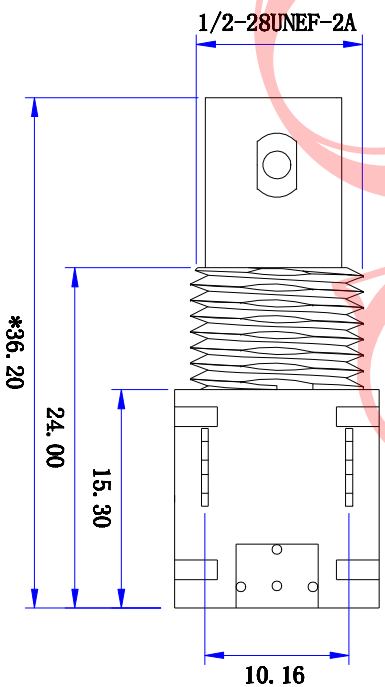
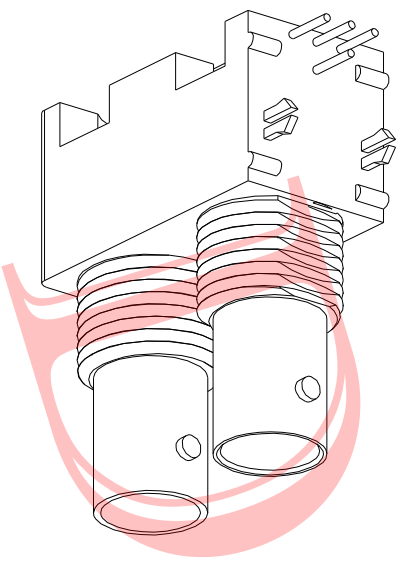
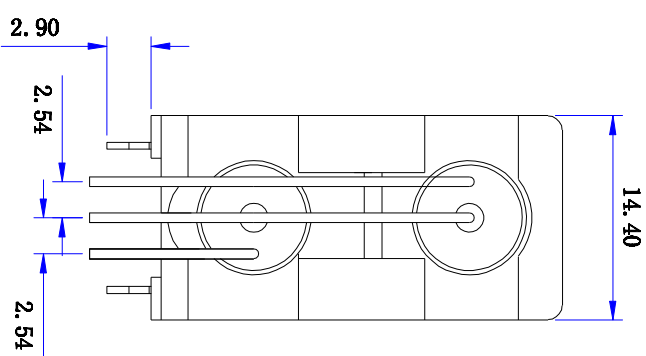
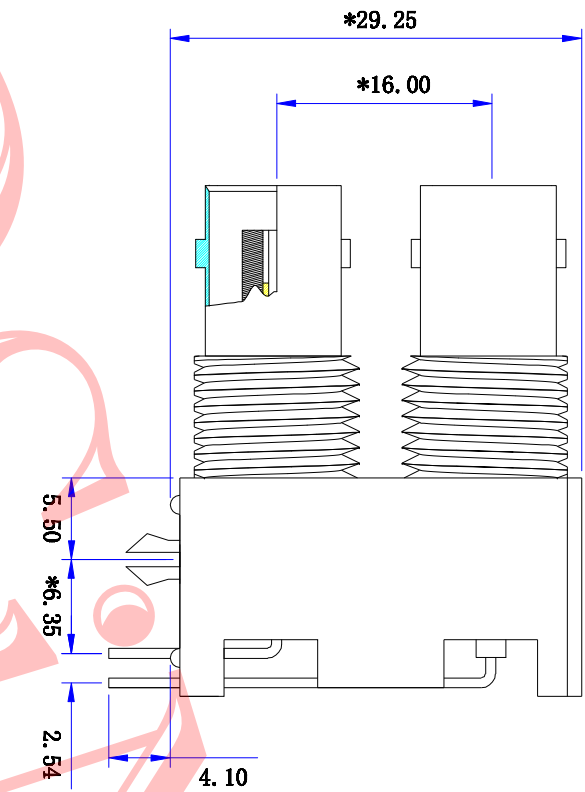
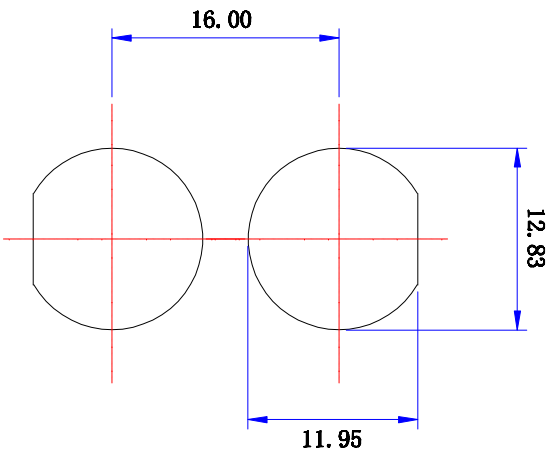




Product NO.		DOSIN-801-0095	
REV	DESCRIPTION	DWN	DATE
A	First Issue	JTM	2012/11/02
			APPROVEN
			John kine



Specifications

- Impedance: 50 Ohms
 - Frequency Range: DC~3G
 - VSWR: 1.3MAX
 - Working Voltage: 500V rms @ sea level
 - Insulation Resistance: 5000 Ohms min
 - Temperature Range: -55°C T0 +155°C
 - Relative Temperature: ≤95% (40°C ±2°C)
- Drawings products are in line with ROHS standards

D	Plastic body	ABS	BLACK	1
C	INSULATOR	POM	NONE	1
B	CONTACT PLATING	BRASS	GOLD	4
A	BDDY	ZINC	NICKEL	2
ND	DESCRIPTION	MATERIAL	FINISHED	QTY
A				

NOTE:		DRAWN		Tolerance	
		Zelin. Zhang		0-6 ±0.15	
CHECKED		10		6-30 ±0.20	
APPROVALS		UNIT		30-120 Angular ±2°	
John		MM		1:1	
12/04.2012		SCALE			
Kind		D		E	

Name:		BNC CONNECTOR DNN		REV	
SIZE		Product NO.		A	
Date/Time		CAD FILE		SHEET: 1 OF 1	
2012/11/02		D/company drawings/BD		G	

DOSIN Dongsin Industrial(H.K)Co.,Ltd
 东莞市德索五金电子有限公司
 Dosin Hardware Electronics Co.,Ltd

E-mail: dosin2005@163.com
 dosin2005@doshir-china.com
 Web: http://www.dosinconn.com
 TEL: (0086)769-8153906
 FAX: (0086)769-81875836