

CN-UB/MP - Mounting panel

2818135

<https://www.phoenixcontact.com/us/products/2818135>

Please be informed that the data shown in this PDF document is generated from our online catalog. Please find the complete data in the user documentation. Our general terms of use for downloads are valid.

Tongue for attaching the CN-UB..., to housing panels, for example.



Commercial data

Item number	2818135
Packing unit	10 pc
Minimum order quantity	10 pc
Sales key	CL25
Product key	CL331Z
Catalog page	Page 200 (C-4-2019)
GTIN	4017918148362
Weight per piece (including packing)	20.75 g
Weight per piece (excluding packing)	17.793 g
Customs tariff number	73269098
Country of origin	DE

CN-UB/MP - Mounting panel



2818135

<https://www.phoenixcontact.com/us/products/2818135>

Technical data

Product properties

Product type	Assembly adapter
--------------	------------------

Material specifications

Color	Silver
	Copper

Mounting

Mounting type	Wall mounting
---------------	---------------

CN-UB/MP - Mounting panel

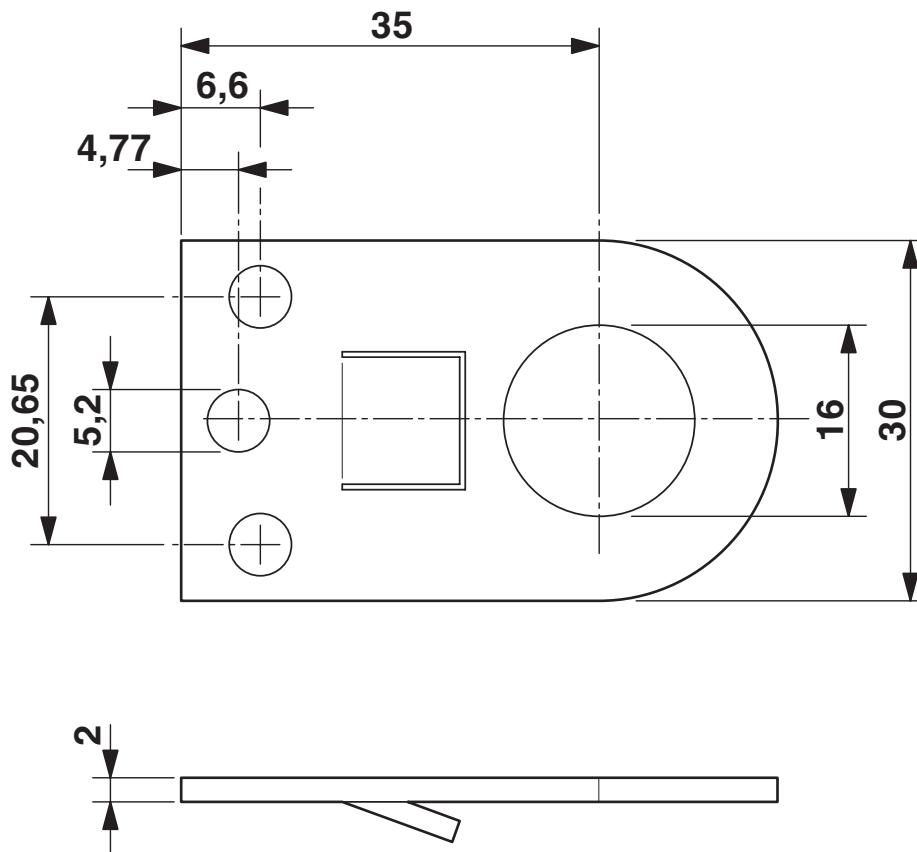
2818135

<https://www.phoenixcontact.com/us/products/2818135>



Drawings

Dimensional drawing



CN-UB/MP - Mounting panel



2818135

<https://www.phoenixcontact.com/us/products/2818135>

Approvals

To download certificates, visit the product detail page: <https://www.phoenixcontact.com/us/products/2818135>



EAC

Approval ID: RU C-DE.*09.B.00169

CN-UB/MP - Mounting panel



2818135

<https://www.phoenixcontact.com/us/products/2818135>

Classifications

ECLASS

ECLASS-11.0	27130890
ECLASS-13.0	27171592

ETIM

ETIM 9.0	EC002497
----------	----------

UNSPSC

UNSPSC 21.0	39121600
-------------	----------

CN-UB/MP - Mounting panel



2818135

<https://www.phoenixcontact.com/us/products/2818135>

Environmental product compliance

EU RoHS

Fulfills EU RoHS substance requirements	Yes, No exemptions
---	--------------------

China RoHS

Environment friendly use period (EFUP)	EFUP-E
	No hazardous substances above the limits

EU REACH SVHC

REACH candidate substance (CAS No.)	No substance above 0.1 wt%
-------------------------------------	----------------------------

Phoenix Contact 2024 © - all rights reserved
<https://www.phoenixcontact.com>

Phoenix Contact USA
586 Fulling Mill Road
Middletown, PA 17057, United States
(+717) 944-1300
info@phoenixcon.com