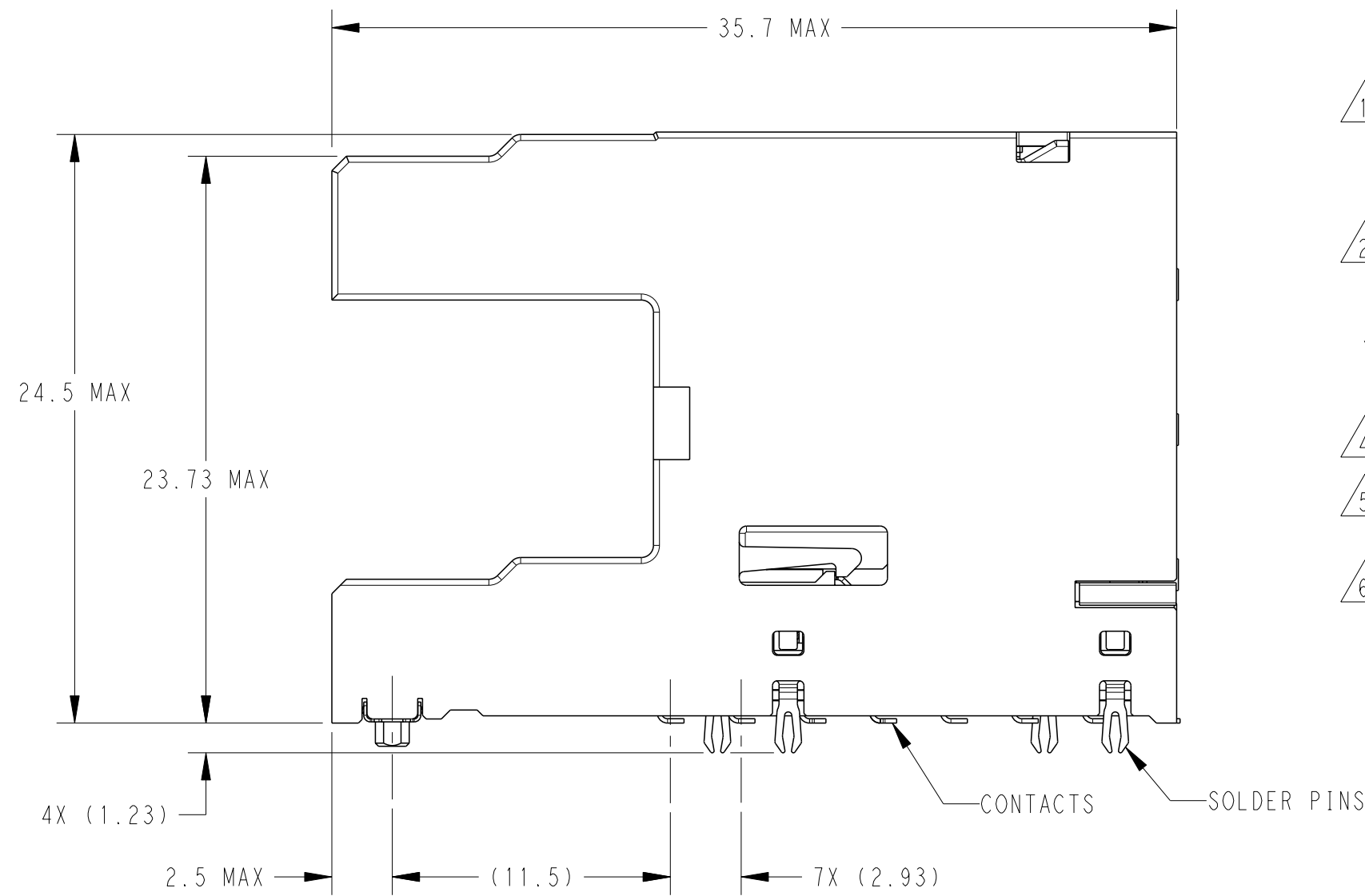
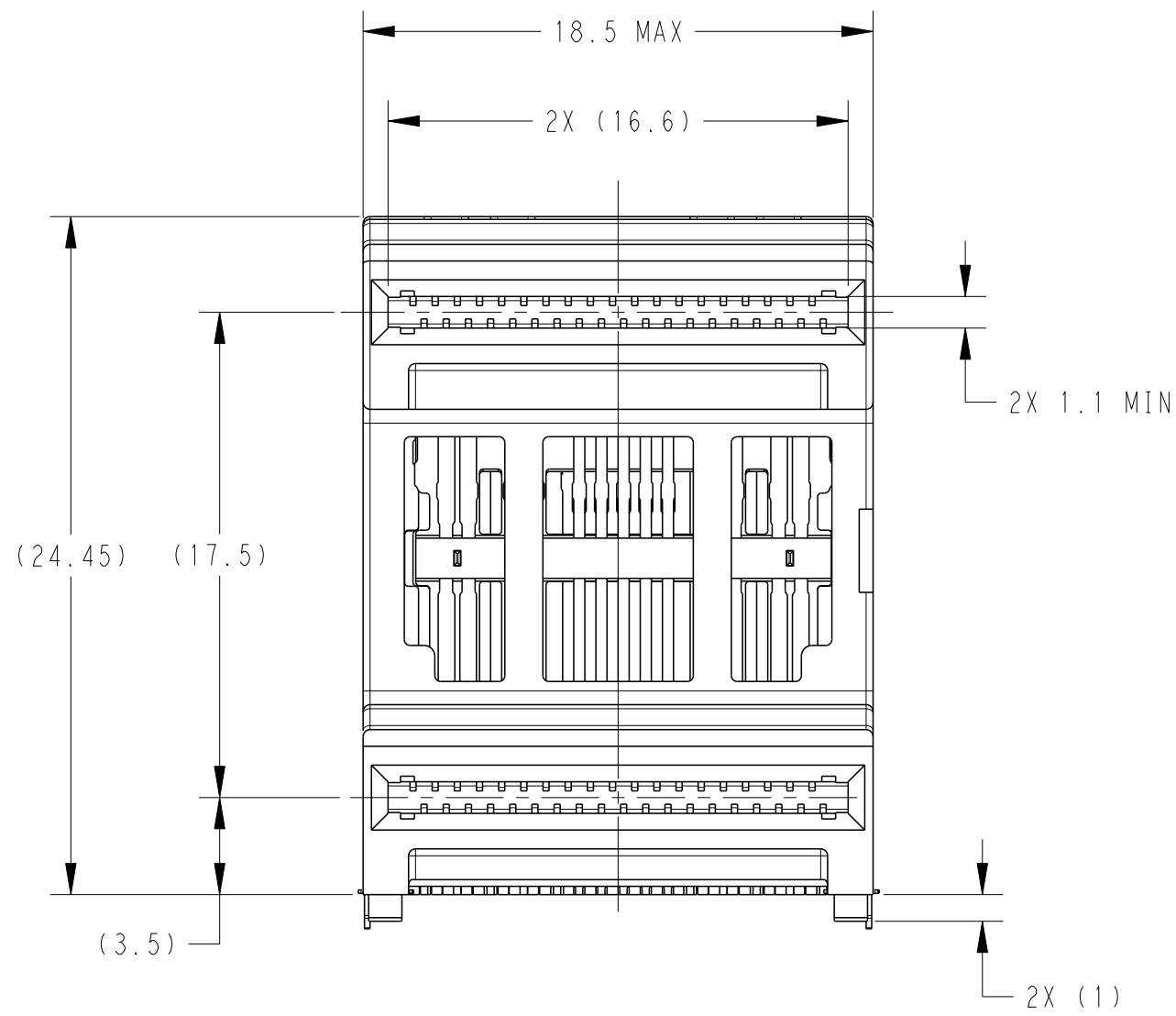
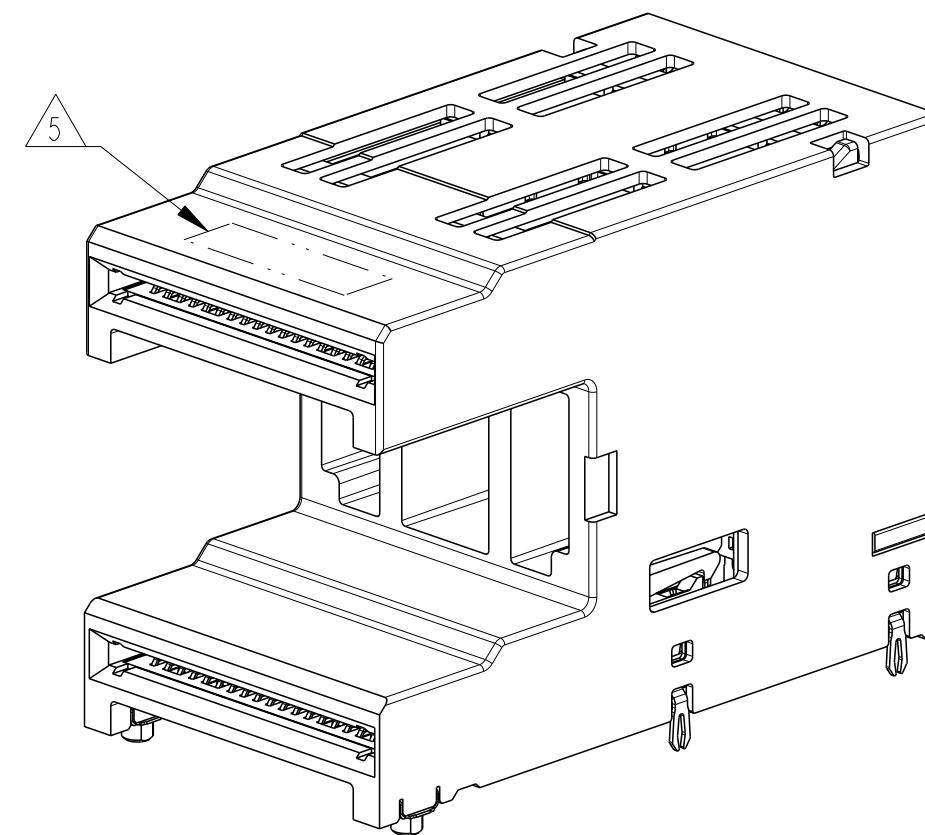
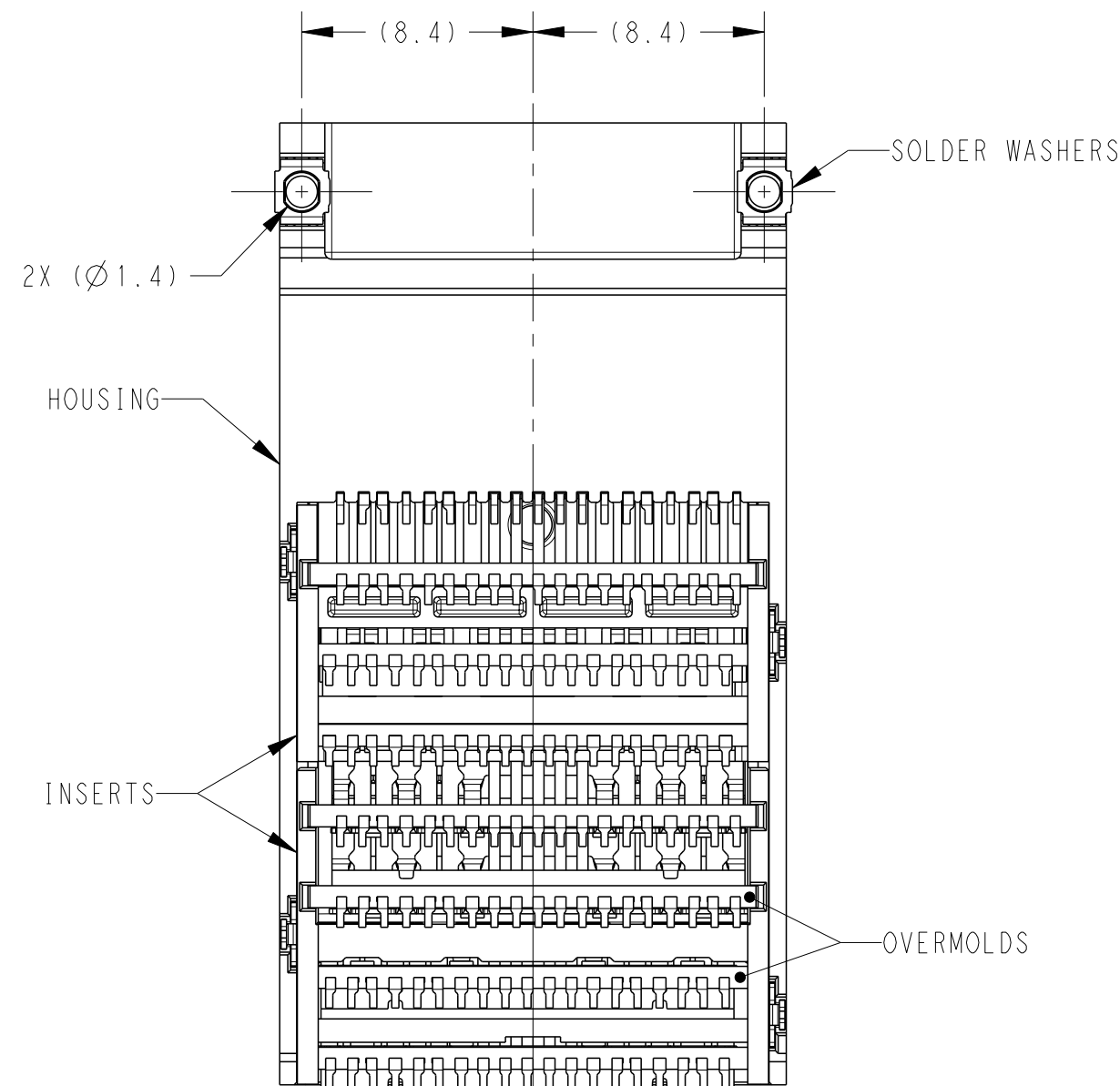


| P | LTR | DESCRIPTION | DATE | DWN | APVD |
|---|-----|---------------------------|-----------|-----|------|
| A | | REVISED PER ECN-23-214203 | 26MAY2023 | AP | BD |
| B | | REVISED PER ECN-23-220037 | 03JUL2023 | AP | BD |



- 1 HOUSING, INSERTS AND CONTACT OVERMOLDS: LCP, BLACK.
CONTACTS: COPPER ALLOY.
SOLDER WASHERS: NICKEL SILVER.
SOLDER PINS: STAINLESS STEEL.
- 2 CONTACTS: 0.76µm GOLD ON MATING INTERFACE.
TIN PLATED ON PCB TAILS.
- 3. MINIMUM PC BOARD THICKNESS:
SINGLE SIDED = 1.57 MIN
DOUBLE SIDED = 2.2 MIN
- 4 DATUM AND BASIC DIMENSION ESTABLISHED BY CUSTOMER.
- 5 PART NUMBER AND DATE CODE MARKED IN APPROXIMATE AREA SHOWN.
- 6 RECOMMENDED COMPONENT, TRACES AND SOLDER MASK KEEP OUT AREA. SURFACE SUITABLE FOR SOLDER.



SCALE 3:1

| | | | | | |
|--|----------|----------------------------------|--|--------------------|-------------------------|
| THIS DRAWING IS A CONTROLLED DOCUMENT. | | DWN M. SHIRK 09AUG2021 | TE Connectivity | | |
| DIMENSIONS: | | CHK M. PHILLIPS 09AUG2021 | | | |
| mm | | APVD M. PHILLIPS 09AUG2021 | | | |
| TOLERANCES UNLESS OTHERWISE SPECIFIED: | | PRODUCT SPEC | | | |
| 0 PLC ± | 1 PLC ± | 114-160156 | NAME RECEPTACLE CONNECTOR, 152 POSITION, QSFP DD 112 STACKED | | |
| 2 PLC ± | 3 PLC ± | APPLICATION SPEC | SIZE A2 | CAGE CODE 00779 | DRAWING NO C-2392896 |
| 4 PLC ± | ANGLES ± | 108-160303 | RESTRICTED TO | | |
| MATERIAL | FINISH | WEIGHT | SCALE 4:1 SHEET 1 OF 2 REV B | | |
| 1 | 2 | CUSTOMER DRAWING | | | |

2392896-1
PART NUMBER

Printed on 3 Jul 2023 14:26 (Impio Standard Time) from TE496377

