



**Description**

The Vicfuse Class T blocks offer many advantages such as space saving design, universal mounting holes, snap-to-release DIN rail mount and available covers.

**Features/Benefits**

- Space-saving design
- Universal mounting holes for easy replacement
- One hand release from DIN rail for 30-60A fuses
- Reinforced fuse clips are standard
- Covers available for most amperages to enhance safety

**Specifications**

Voltage Ratings: 300V AC/ 600V AC  
 Ampere Ratings: 1-600A  
 Leakage Current: <0.6mA at 600V  
 Withstand Rating: 200kA RMS SYM  
 Flammability Rating: UL94 V-0  
 Apprpvals Environmental: RoHS Compliant, Lead (Pb) Free

**Recommended Fuses**

- 300V VTF
- 600V VTF

**Ordering Information (Class T 300V);**

AMP RATING	ORDERING NUMBER							TORQUE	WIRE RANGE (AWG)	WIRE TYPE		BASW TEMP RATING	DIN RAIL MOUNT	COVER ORDERING NUMBER*
	POLES			SUFFIX										
	1	2	3	BOX LUG	PRESSURE PLATE	SCREW								
30	VFT30030	1	2	3	C	-	-	2.8N-m(25IN-lbs) 5.6N-m(50in-lbs)	2-4 6-14	CU-AL	Solid/ Stranded	125°C	•	VFT30030FBC
60	VFT30060	1	2	3	C	-	-	5.6N-m(50in-lbs) 2.8N-m(25in-lbs)	2-4 6-14					VFT30060FBC
100	VFT30100	1	-	3	CS	-	-	13.6N-m(120in-lbs) 4.5N-m(40in-lbs) 4.0N-m(35in-lbs)	2/0-6 8 10-14	CU-AL	Solid/ Stranded	130°C	-	VFT30100FBC
200	VFT30200	1	-	3	CS	-	-	31.1N-m(275in-lbs)	250kcmil-6					-
400	VFT30400	1	-	3	CS	-	-	(2)31.1N-m(275in-lbs)	250kcmil-6					-
600	VFT30600	1	-	3	CS	-	-	(2)42.4N-m(375in-lbs)	500kcmil-4					-

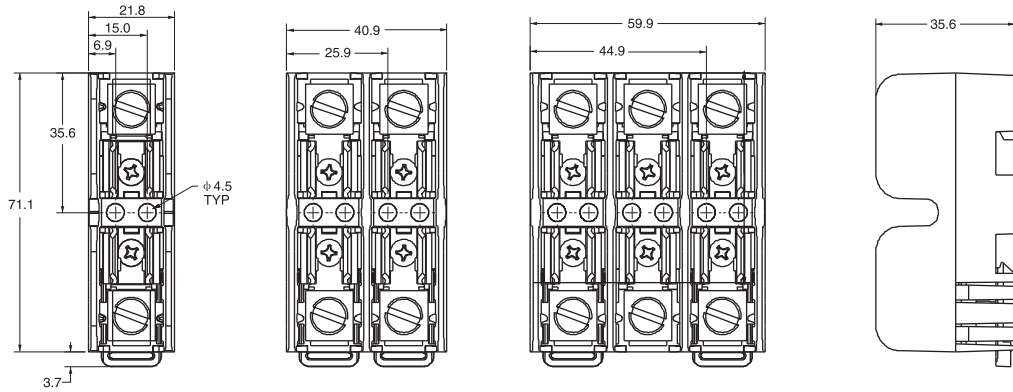
**Ordering Information (Class T 600V);**

AMP RATING	ORDERING NUMBER							TORQUE	WIRE RANGE (AWG)	WIRE TYPE		BASW TEMP RATING	DIN RAIL MOUNT	COVER ORDERING NUMBER*	
	BASE ORDERING NUMBER	POLES			SUFFIX										
		1	2	3	BOX LUG	PRESSURE PLATE	SCREW								
30	VFT60030	1	2	3	C	P	S	2.8N-m(25IN-lbs) 5.6N-m(50in-lbs)	2-4 6-14	** see note	CU-AL	Solid/ Stranded	125°C	•	VFT60030FBC
60	VFT60060	1	2	3	C	-	-	5.6N-m(50in-lbs) 2.8N-m(25in-lbs)	2-4 6-14						VFT60060FBC
100	VFT60100	1	-	3	CS	-	-	13.6N-m(120in-lbs) 4.5N-m(40in-lbs) 4.0N-m(35in-lbs)	2/0-6 8 10-14	CU-AL	Solid/ Stranded	130°C	-	VT60100FBC	
200	VFT60200	1	-	3	CS	-	-	31.1N-m(275in-lbs)	250kcmil-6					VT60200FBC	
400	VFT60400	1	-	3	CS	-	-	(2)31.1N-m(275in-lbs)	250kcmil-6					VT60400FBC	
600	VFT60600	1	-	3	CS	-	-	(2)42.4N-m(375in-lbs)	500kcmil-4					VT60600FBC	

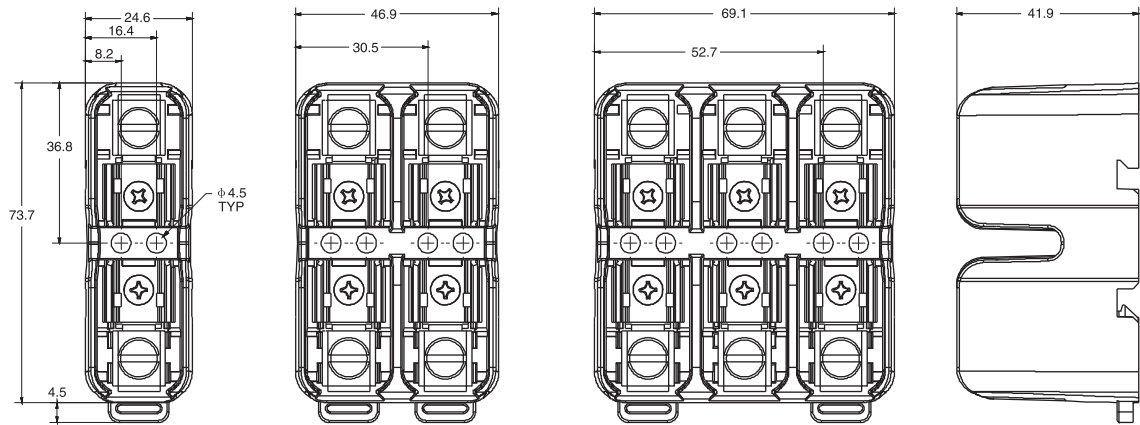
\*Covers sold individually. One cover needed for each pole.  
 \*\*Wire Type for Pressure and Screw Terminal is CU only

● Dimensions mm;

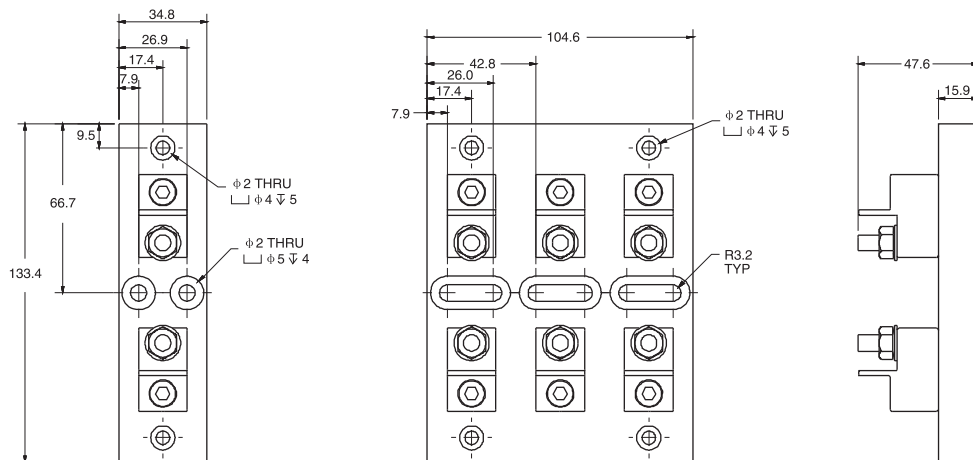
300V 30A



300V 60A

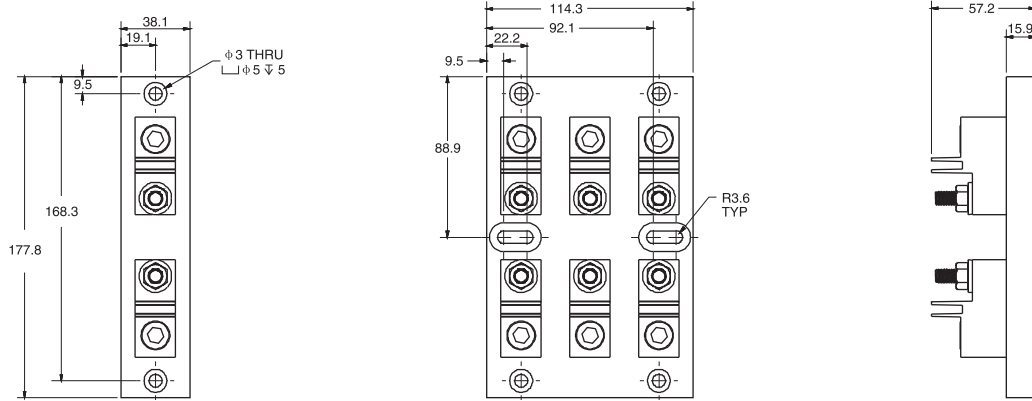


300V 100A

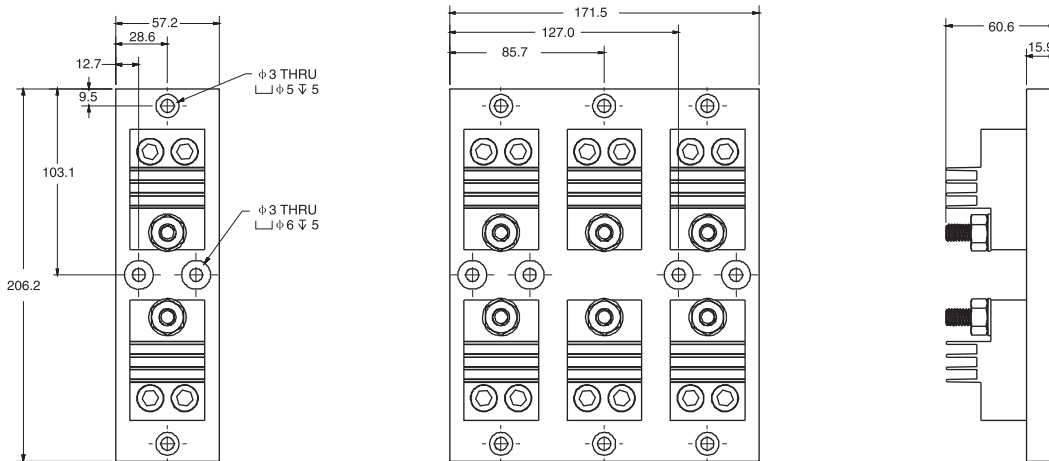


● Dimensions mm;

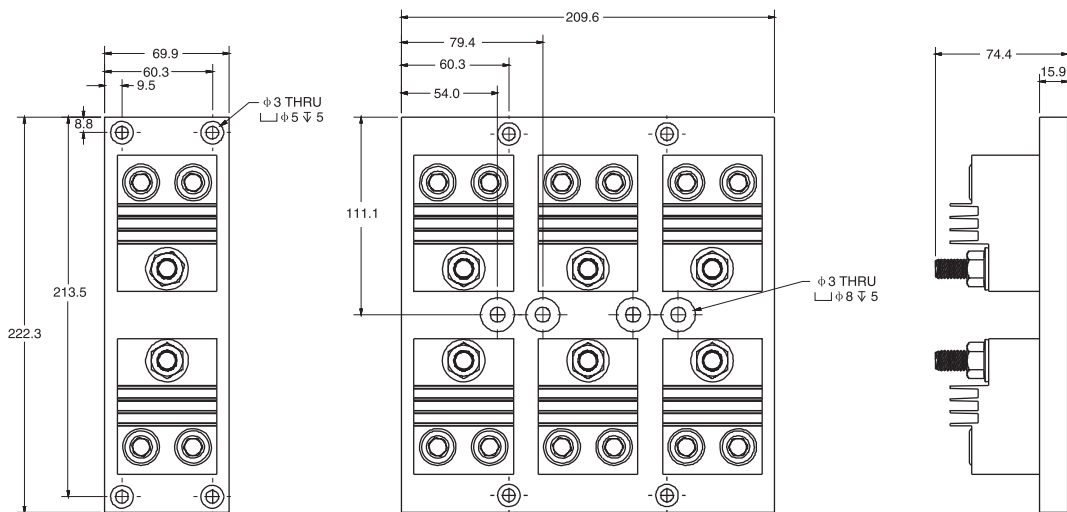
300V 200A



300V 400A

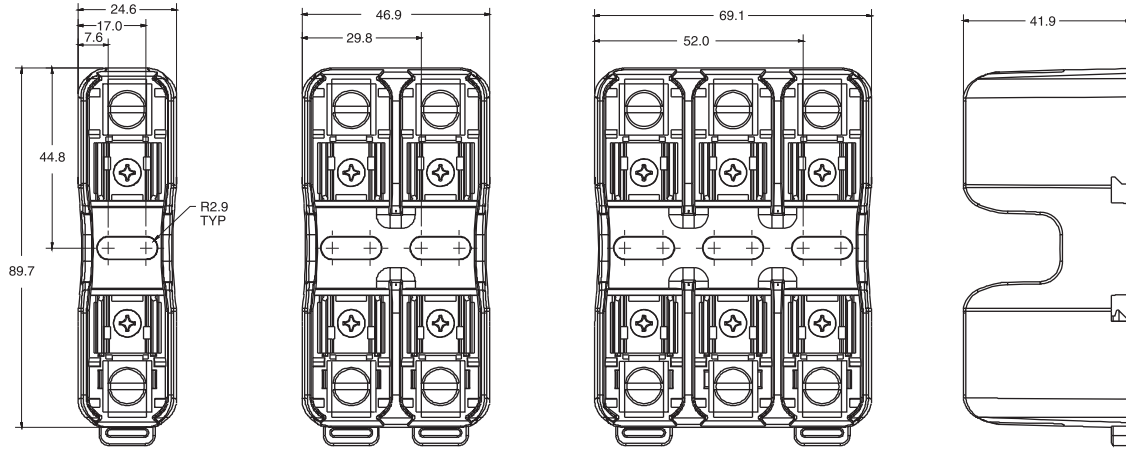


300V 600A

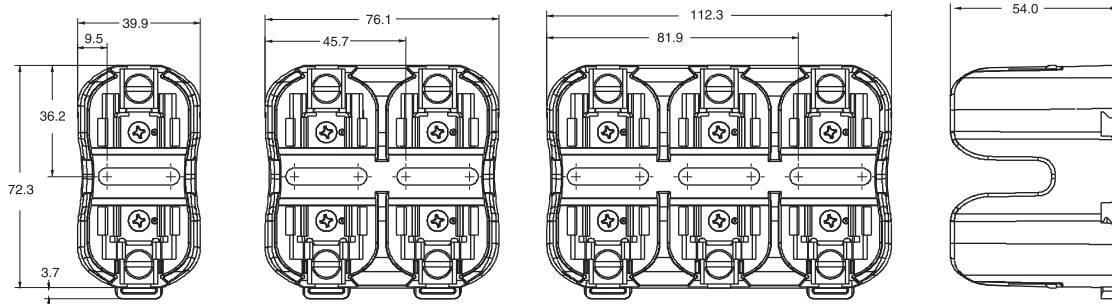


● Dimensions mm;

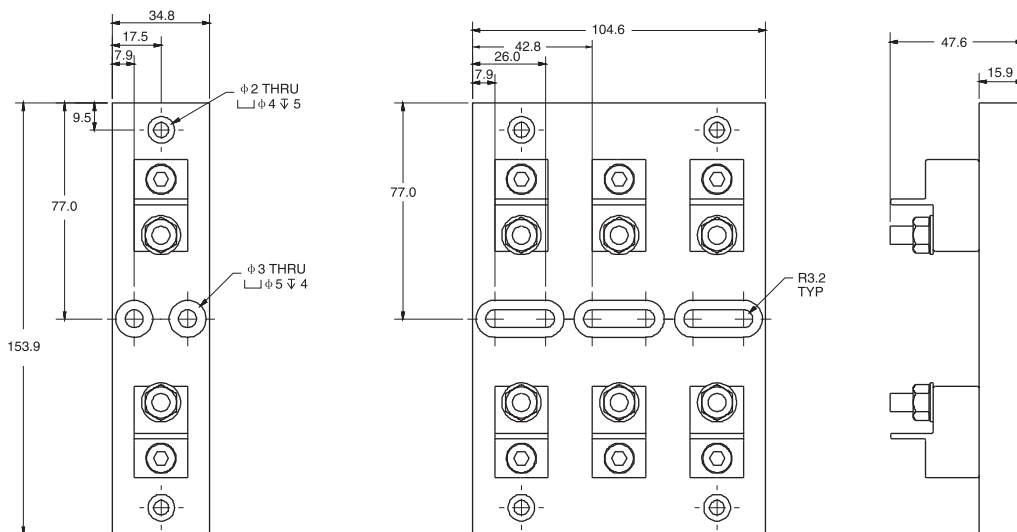
600V 30A



600V 60A

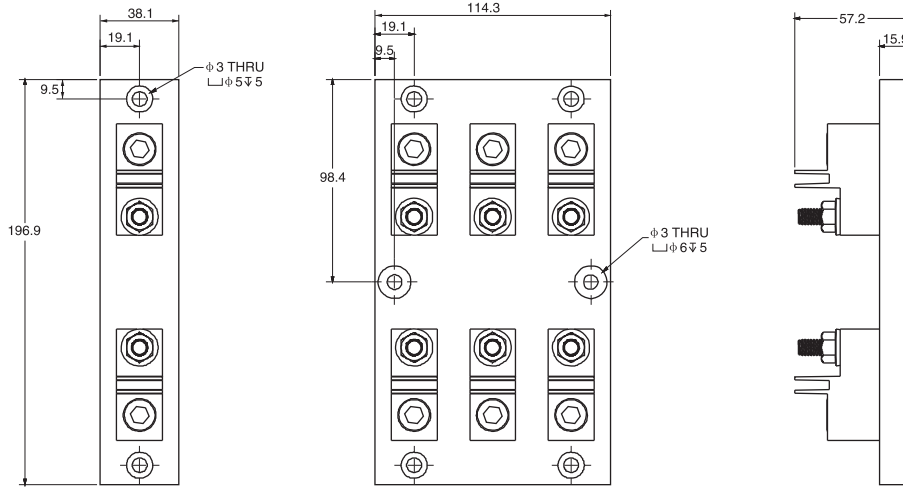


600V 100A

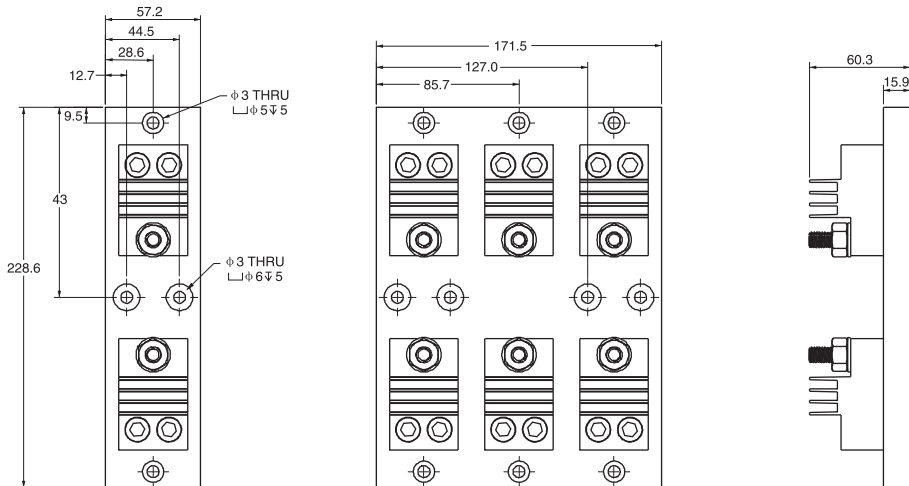


● Dimensions mm;

600V 200A



600V 400A



600V 600A

