

4

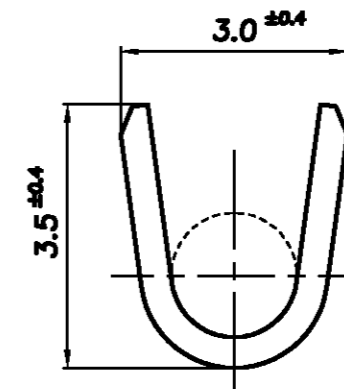
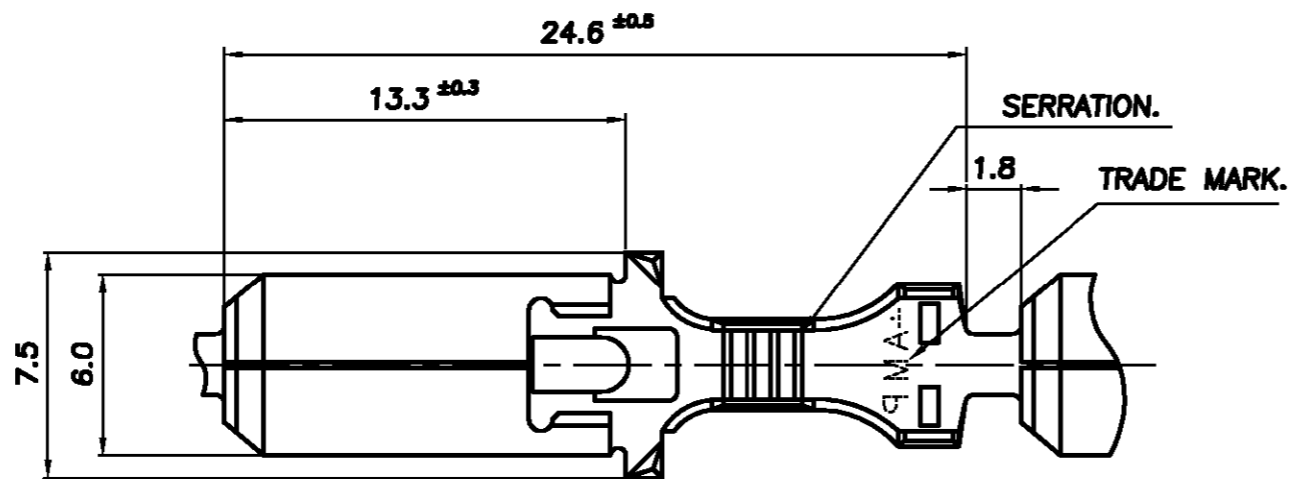
3

2

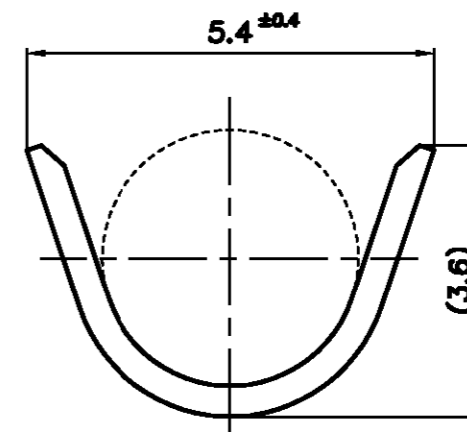
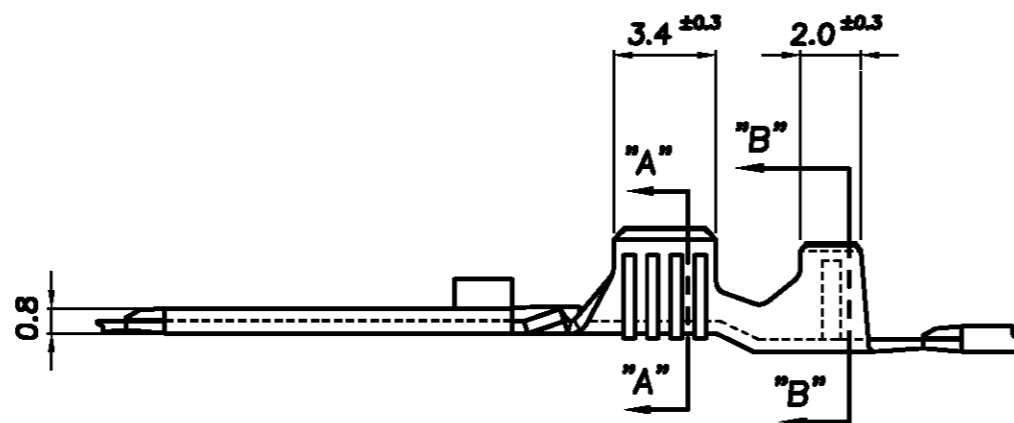
1

THIS DRAWING IS UNPUBLISHED. RELEASED FOR PUBLICATION 2004 .
 © COPYRIGHT 2004 BY AMP KOREA. ALL RIGHTS RESERVED.

LOC	DIST	REVISIONS				
P	LTR	DESCRIPTION	DATE	DWN	APVD	
	A	RELEASED	20/NOV/08	BS	JK	



SECTION "A-A"
(SCALE=10/1)



SECTION "B-B"
(SCALE=10/1)

* NOTES;
 1. RECEPTACLE CONTACT P/N 368078.

FINISH		BRASS (0.4t)		368079-1	
		MATERIAL		PART NUMBER	
THIS DRAWING IS CONTROLLED DOCUMENT FOR AMP KOREA. IT IS SUBJECT TO CHANGE AND THE CONTROLLING ENGINEERING ORGANIZATION SHOULD BE CONTACTED FOR THE LATEST REVISION.		DWN BS YOO		 AMP KOREA. kyungsan, korea	
DIMENSIONS: MM		CHK YH GNDI			
		TOLERANCES UNLESS OTHERWISE SPECIFIED:		NAME	
		0 <XX<10 ± 0.4 10<XX<30 ± 0.4		"250"SERIES TAB WITHOUT LATCH FOR SEALED CONNECTOR.	
MATERIAL		FINISH		DRAWING NO	
SEE TABLE		SEE TABLE		3 6 8 0 7 9	
		WEIGHT		SCALE 4/1 SHEET 1 OF 1 REV A	
		CUSTOMER DRAWING			