

SURGING

紹 鑫 實 業



Surge Arresters

陶瓷气体放电管

SF90 Series

Gas Discharge Tube - SF90 Series



Gas discharge tubes (GDT) use noble gasses enclosed in ceramic tubes to provide an alternate circuit path for voltage spikes. The ceramic envelope and with nickel connectors allow for high loads and Surging offers products that function at 20KA,40KA,50KA,60KA,100KA&150KA. The breakdown voltages of the devices have a wide range (up to 20% tolerance). Major applications are high frequency telecommunication lines, stations, security systems, HID and high quality Surge Protection Devices (SPD).

Features

- RoHS & HF compliant
- Size: 7.6mm*5.0mm*5.0mm
- DC Spark-over voltage: 75~1100V
- Stable breakdown voltage.
- High insulation resistance.
- High holdover voltage.
- Large absorbing transient current capability.
- Low Capacitance
- Micro-Gap Design

Recommended Applications

- Cable Modem
- xDSL
- Set-Top Box
- Satellite and CATV equipment
- Power supplier
- Consumer electronics
- General telecom equipment

Product Name

SF90 - 230X

Series:
SF9系列: $\phi 5 * 5 * 7.6$

Lead Type:
0=SMD
3=Thrust

DC Line Voltage:
90X=90V
230X=230V
102X=1000V

Gas Discharge Tube - SF90 Series

Electrical Characteristics

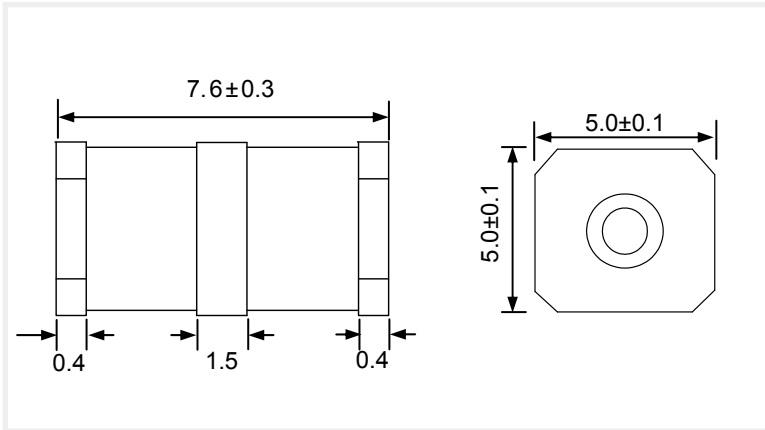
| Part Number | DC Spark-over Voltage | Max. Impulse Breakdown Voltage | | Max. Impulse Discharge Current (8/20 μ s) | | Impulse Life (10/1000 μ s) | Normal Alternating Discharge Current | | DC Holdover Voltage | Minimum Insulation Resistance | Maximum Capacitance (1MHz) |
|-------------|-----------------------|--------------------------------|--------------|---|----------|--------------------------------|--------------------------------------|---------------|---------------------|-------------------------------|----------------------------|
| | | 100V/ μ s | 1KV/ μ s | 1 time | 10 times | | 100A | 50Hz, 1Sec | | | |
| | (V) | (V) | (V) | (KA) | (Times) | (A) | (V) | (G Ω) | (pF) | | |
| SF90-75X | 75 \pm 20% | 600 | 700 | 10 | 5 | 300 | 5 | 30 | 52 | 1 | 2 |
| SF90-90X | 90 \pm 20% | 500 | 600 | 10 | 5 | 300 | 5 | 30 | 52 | 1 | 2 |
| SF90-120X | 120 \pm 20% | 500 | 600 | 10 | 5 | 300 | 5 | 30 | 80 | 1 | 2 |
| SF90-150X | 150 \pm 20% | 500 | 600 | 10 | 5 | 300 | 5 | 30 | 80 | 1 | 2 |
| SF90-200X | 200 \pm 20% | 600 | 700 | 10 | 5 | 300 | 10 | 60 | 135 | 1 | 2 |
| SF90-230X | 230 \pm 20% | 600 | 700 | 10 | 5 | 300 | 10 | 60 | 135 | 1 | 2 |
| SF90-250X | 250 \pm 20% | 600 | 700 | 10 | 5 | 300 | 10 | 60 | 135 | 1 | 2 |
| SF90-350X | 350 \pm 20% | 650 | 750 | 10 | 5 | 300 | 10 | 60 | 135 | 1 | 2 |
| SF90-400X | 400 \pm 20% | 700 | 800 | 10 | 5 | 300 | 10 | 60 | 135 | 1 | 2 |
| SF90-420X | 420 \pm 20% | 700 | 800 | 10 | 5 | 300 | 10 | 60 | 135 | 1 | 2 |
| SF90-470X | 470 \pm 20% | 800 | 900 | 10 | 5 | 300 | 10 | 60 | 135 | 1 | 2 |
| SF90-600X | 600 \pm 20% | 900 | 1000 | 10 | 5 | 300 | 5 | 30 | 135 | 1 | 2 |
| SF90-800X | 800 \pm 20% | 1150 | 1400 | 10 | 5 | 300 | 5 | 30 | 135 | 1 | 2 |
| SF90-112X | 1100 \pm 20% | 1450 | 1750 | 10 | 5 | 300 | 5 | 30 | 135 | 1 | 2 |

| DC Spark-over Voltage | DC Measuring Voltage |
|-----------------------|----------------------|
| 75-90V | 50V |
| 120-400V | 100V |
| 420-1100V | 250V |

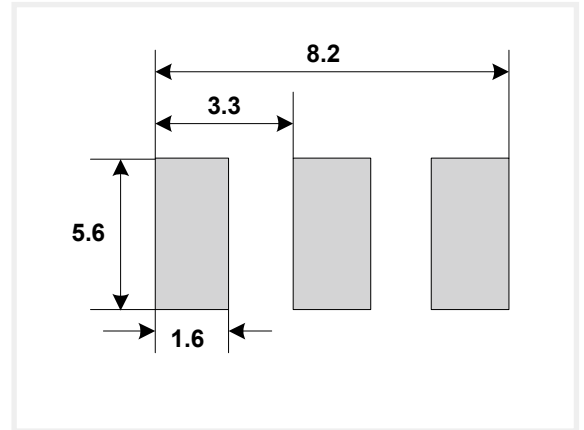
Gas Discharge Tube - SF90 Series

Product size (Unit:mm)

Dimension

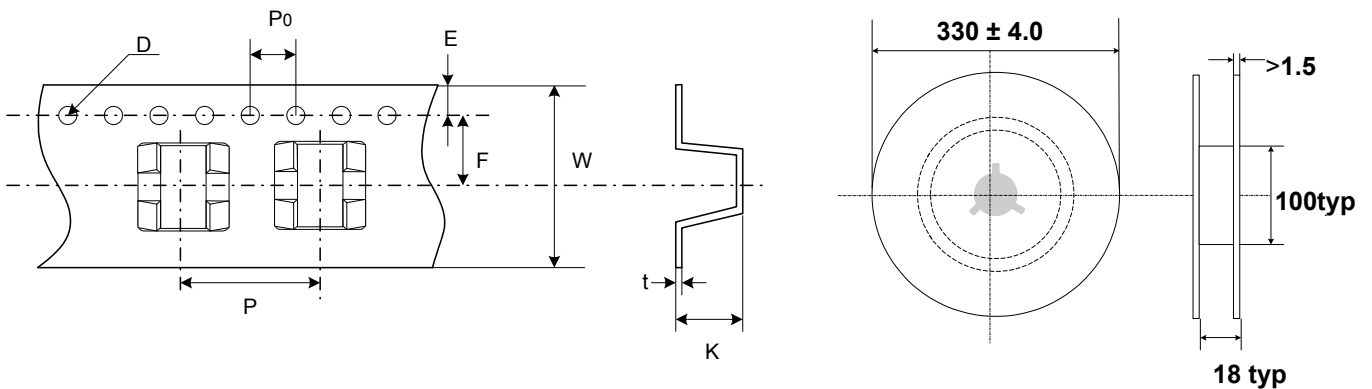


Recommended Pad Size



Packaging Taping

Unit:mm



Quantity: 900pcs per reel (13")

| Item | P | PO | W | F | E | D | K | t |
|-----------|-----------|-----------|-----------|-----------|-----------|-------------|-----------|------------|
| Spec. | 12.0 | 4.0 | 16.0 | 7.5 | 1.75 | $\Phi 1.55$ | 6.7 | 0.5 |
| Tolerance | ± 0.1 | ± 0.1 | ± 0.3 | ± 0.1 | ± 0.1 | ± 0.05 | ± 0.1 | ± 0.05 |