

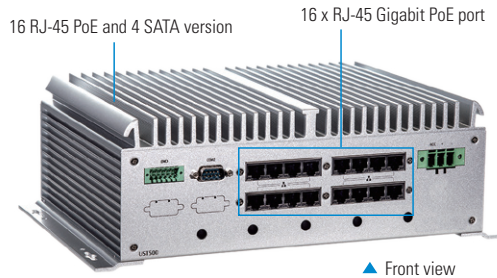
UST500-517-FL NEW

Fanless Embedded System with 7th/6th Gen Intel® Core™, Pentium® and Celeron® Processor for Vehicle and Railway PC

Features

- CE, FCC certified, E-Mark, EN 50155 compliant
- 7th/6th gen Intel® Core™ & Pentium® processors (LGA1151 up to 65W) with Intel® Q170
- Wide operating temperatures from -40°C to +70°C (*)
- Up to 16 RJ-45 Gigabit PoE ports
- 9 to 36VDC power input, ACC ignition supported
- 2 or 4 2.5" SATA drives and 1 mSATA
- Intelligent solution of vehicle power management (ACC ignition)

*The CPU loading is applied using Passmark BurnIn Test.
For detail testing criteria, please contact Axiomtek.



▲ Front view



▲ Rear View

4 x swappable 2.5" SATA drive



Specifications

Standard Color	Silver				
Construction	Aluminum extrusion and heavy-duty steel, IP40				
CPU	7th gen Intel® Core™, 35W 6th gen Intel® Core™, 35 to 65W Intel® Pentium®, 35W Intel® Celeron®, 35W				
Chipset	Intel® Q170				
System Memory	2 x DDR4 SO-DIMM slot, up to 64GB				
BIOS	AMI				
System I/O Outlet	<table border="0"> <tr> <td>Rear Side</td> <td> 1 x 6-in/2-out isolated DIO 5 x Antenna opening 1 x DB9 RS-232/422/485 8/16 x PoE GbE 802.3af/802.3at supported - 8 x RJ-45 (with 2 SATA) - 16 x RJ-45 (with 4 SATA) - 8 x RJ-45, 8 x M12 A coded (with 4 SATA) - 8 x M12 A coded (with 4 SATA) 1 x 3P DC-in </td> </tr> <tr> <td>Front Side</td> <td> 4 x USB 3.0 1 x VGA 1 x DVI-D 1 x HDMI 1 x Reset button 1 x Power button 2 x External accessible SIM card socket 2 x Audio (Mic-in/Line-out) 1 x DB9 RS-232/422/485 </td> </tr> </table>	Rear Side	1 x 6-in/2-out isolated DIO 5 x Antenna opening 1 x DB9 RS-232/422/485 8/16 x PoE GbE 802.3af/802.3at supported - 8 x RJ-45 (with 2 SATA) - 16 x RJ-45 (with 4 SATA) - 8 x RJ-45, 8 x M12 A coded (with 4 SATA) - 8 x M12 A coded (with 4 SATA) 1 x 3P DC-in	Front Side	4 x USB 3.0 1 x VGA 1 x DVI-D 1 x HDMI 1 x Reset button 1 x Power button 2 x External accessible SIM card socket 2 x Audio (Mic-in/Line-out) 1 x DB9 RS-232/422/485
Rear Side	1 x 6-in/2-out isolated DIO 5 x Antenna opening 1 x DB9 RS-232/422/485 8/16 x PoE GbE 802.3af/802.3at supported - 8 x RJ-45 (with 2 SATA) - 16 x RJ-45 (with 4 SATA) - 8 x RJ-45, 8 x M12 A coded (with 4 SATA) - 8 x M12 A coded (with 4 SATA) 1 x 3P DC-in				
Front Side	4 x USB 3.0 1 x VGA 1 x DVI-D 1 x HDMI 1 x Reset button 1 x Power button 2 x External accessible SIM card socket 2 x Audio (Mic-in/Line-out) 1 x DB9 RS-232/422/485				
Watchdog Timer	255 levels, 1 to 255 sec.				

Storage	2 x Built-in 2.5" SATA drive (15 mm height) 4 x Swappable 2.5" SATA drive (15 mm height) 1 x mSATA (use 1 PCI Express Mini Card slot)
RAID Function	Intel® RAID 0/1/5/10
Expansion Interface	2 x Full-size PCI Express Mini Card slot 2 x Half-size PCI Express Mini Card slot 2 x External accessible SIM card slot
LED indicator	1 x System power 1 x HDD active 2 x Programmable
PoE Power	802.3 af/802.3at supported, 16-port PoE power output 120W (default), maximum 200W (BIOS setting)
Power Supply	DC-input: 9 to 36 VDC, ACC ignition, typical 24 VDC
Power Consumption	24VDC @9.09A
Operating Temperature	-40°C to +70°C (-40°F to +158°F) with W.T. SSD
Humidity	10% to 95%, non-condensing
Vibration Endurance (operational)	3 Grms with SSD (5 to 500 Hz, X/Y/Z direction; random)
Dimensions	280 mm (11.02") (W) x 210.5 mm (8.27") (D) x 70 mm (2.76") (H) with 2 SATA (internal accessible), w/o wall-mount 280 mm (11.02") (W) x 210.5 mm (8.27") (D) x 99.2 mm (3.91") (H) with 4 SATA with wall-mount
Weight (net/gross)	4.92 kg (10.85 lb)/5.75 kg (12.68 lb)
Certifications	CE, FCC certified, E-Mark, EN 50155 compliant
EOS support	Windows® 7, Windows® 8, Windows® 10, Linux *Windows® 7/8 only available for Skylake processor (6th gen)

Ordering Information

Standard

UST500-517-FL-16RJ-4SATA-TDC (P/N: E274500100)	Fanless embedded system with 7/6th gen Intel® desktop processor (LGA1151), Intel® Q170, VGA, DVI-D, HDMI, 6-in/2-out DIO, 2 COM, 4 USB 3.0, 16 RJ-45 Gigabit PoE, 4 SATA drive and ACC ignition
UST500-517-FL-8RJ8M12-4SATA-TDC (P/N: E274500101)	Fanless embedded system with 7/6th gen Intel® desktop processor (LGA1151), Intel® Q170, VGA, DVI-D, HDMI, 6-in/2-out DIO, 2 COM, 4 USB 3.0, 8 RJ-45 Gigabit PoE, 8 M12 A-coded Gigabit PoE, 4 SATA drive and ACC ignition
UST500-517-FL-8M12-4SATA-TDC (P/N: E274500102)	Fanless embedded system with 7/6th gen Intel® desktop processor (LGA1151), Intel® Q170, VGA, DVI-D, HDMI, 6-in/2-out DIO, 2 COM, 4 USB 3.0, 8 M12 A-coded Gigabit PoE, 4 SATA drive and ACC ignition
UST500-517-FL-8RJ-2SATA-TDC 2018 Q4 available	Fanless embedded system with 7/6th gen Intel® desktop processor (LGA1151), Intel® Q170, VGA, DVI-D, HDMI, 6-in/2-out DIO, 2 COM, 4 USB 3.0, 8 RJ-45 Gigabit PoE, 2 SATA drive and ACC ignition

*TDC: Terminal Block DC-IN connector, Vehicle&Railway SKU, DC voltage input

Optional

2.5" SATA HDD/SSD	128GB or above
mSATA	128GB
DDR4 SO-DIMM	4GB to 32GB
826N3230140E	3G/GPS module
826K6600090E	Wi-Fi/Bluetooth module
594N3202730E	LAN cable (M12-A male 8P to RJ-45)

*Specifications and certifications may vary based on different requirements.

Power Protection

SCP (short circuit protection)
 OVP (over voltage protection)
 UVP (under voltage protection)
 RVP (reverse voltage protection)

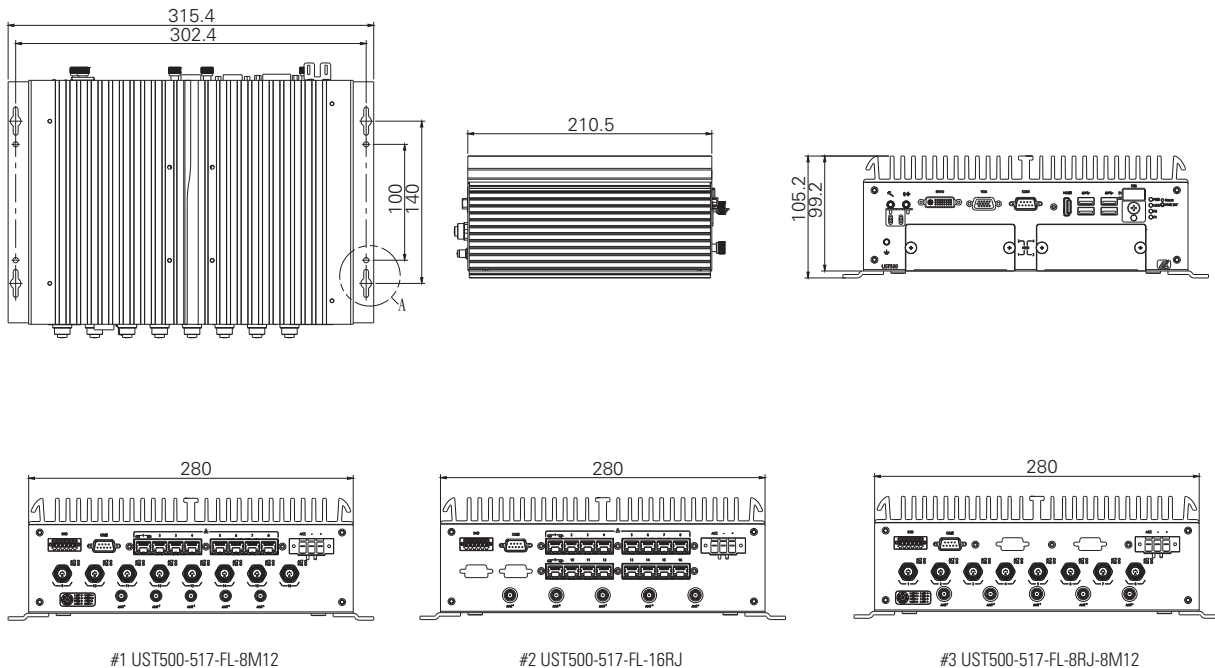
Vehicle Version

ISO 7637-2 pulse 1/2/3/4
 Setting for battery protection: Low voltage or very low voltage
 Setting for ignition control: Low voltage counter, ACC-ON delay or shut down delay

Packing List

- 1 x UST500-517-FL system unit
- 1 x Quick installation guide
- 1 x DVD (for drivers and manual)
- 1 x CPU grease
- 1 x Audio cable fixed
- 1 x HDMI cable fixed
- 3 x Cable fixed screws
- 3 x Cable tie
- 16 x HDD screws
- 1 x Terminal block
- 1 x Programming DI/DO connector
- 1 x Wall mount kit
- 4 x Wall mount kit screw (round head)
- 8 x Mini Card slot screw x 8

Dimensions



Mouser Electronics

Authorized Distributor

Click to View Pricing, Inventory, Delivery & Lifecycle Information:

[Axiomtek:](#)

[UST500-517-FL-16RJ-4SATA-TDC](#) [UST500-517-FL-8M12-4SATA-TDC](#) [UST500-517-FL-8RJ8M12-4SATA-TDC](#)