

V4 83170 Mushroom-head button Dual-current 831709 Part number made to order



- Nominal ratings 0.1 A to 10 A / 250 VAC
- Minimum rating 1 mA / 4 VDC
- Operating temperature up to +125 °C
- Operated via multidirectional action
- Conforming to standards EN 61058 and UL 1054
- Choice of actuators with 2 possible fixing positions

Part numbers

Type	Function	Connections
MADE TO ORDER Dual-current 831709	I (changeover)	W2 - W7A5 - X1 - X1S - X2 - X2S - X3 - X3S

Specifications

Electrical characteristics

Rating nominal / 250 VAC (A)	0,1*
Rating thermal / 250 VAC (A)	6

Mechanical characteristics

Maximum operating force (N)	0,6
Min. Release force (N)	0,1
Maximum total travel force (N)	1
Max. permitted overtravel force (N)	10
Maximum rest position (mm)	10,8
Operating position (mm)	9,9 \pm 0,3
Maximum differential travel (mm)	0,15
Min. overtravel (mm)	0,5
Ambient operating temperature (°C)	-20 \rightarrow +125
Mechanical life (operations)	10 ⁶
Contact gap (mm)	0,4
Weight (g)	1,7

Comments

* see operating curves

** for 2/3 of the overtravel

Additional specifications

Components

Material

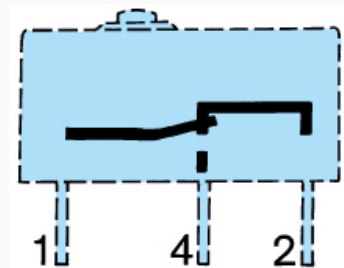
- Case : polyester UL 94 VO
- Button : glass-filled polyamide
- Contacts : nickel silver - gold alloy (dual-current)
- Terminals : cupro-nickel except W7A5 in brass

Levers

- Flat : stainless steel
- Roller : stainless steel, polyamide roller

Approvals : NF - UL - cUL

Principles

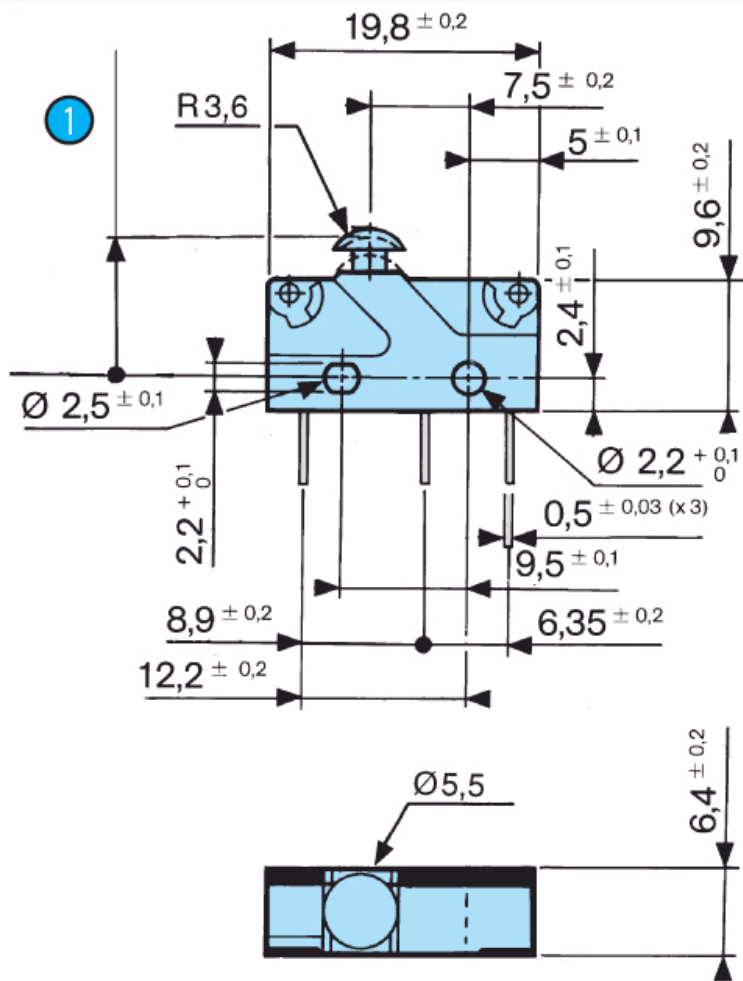


Dimensions (mm)

Product

83170

Asymmetrical version



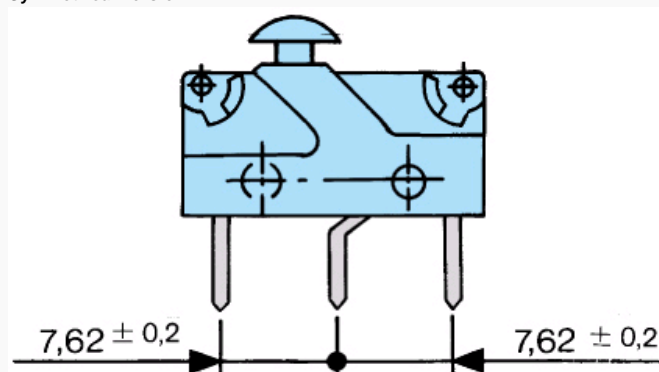
N°	Legend
①	OL : 9.1 max.

Dimensions (mm)

Product

83170

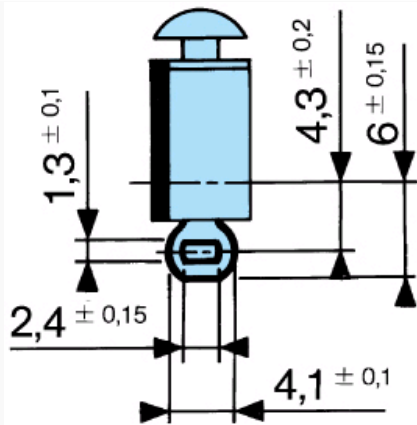
Symmetrical version



Dimensions (mm)

Connections

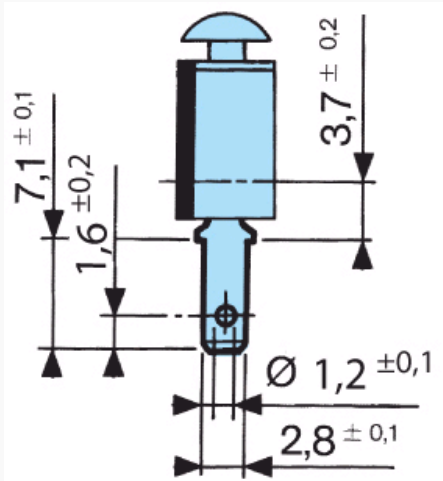
W2



Dimensions (mm)

Connections

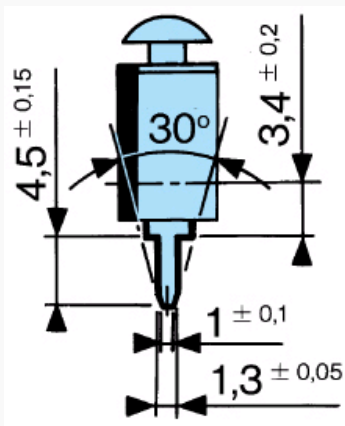
W7A5



Dimensions (mm)

Connections

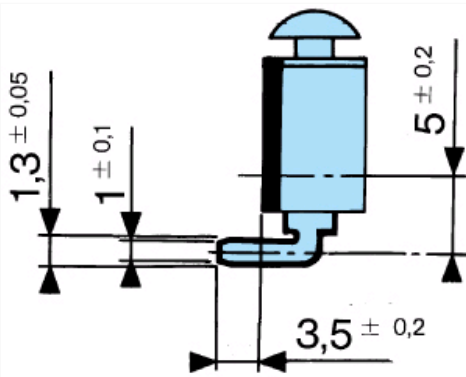
X1 - X1S



Dimensions (mm)

Connections

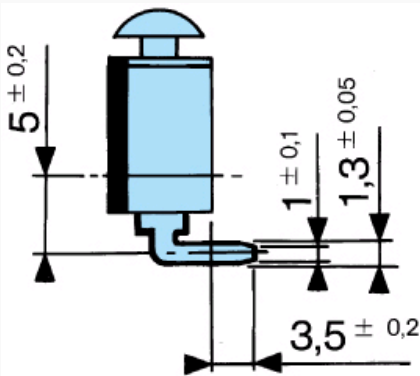
X2 - X2S



Dimensions (mm)

Connections

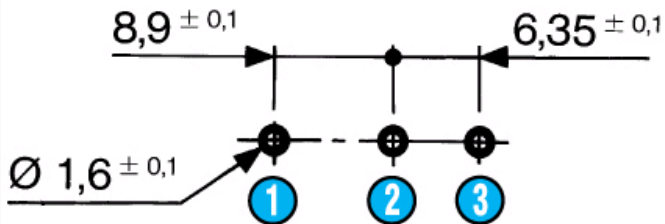
X3 - X3S



Dimensions (mm)

Drilling

Printed circuit board mounting
Asymmetrical X1 - X2 - X3

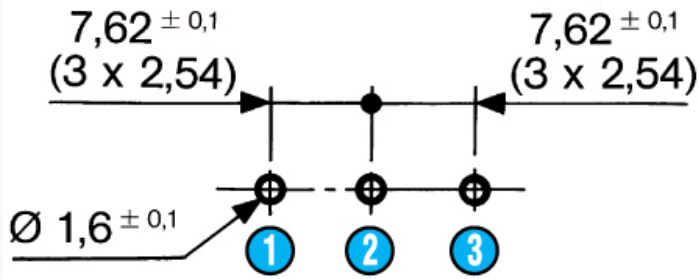


N°	Legend
1	1.C
2	4.NO
3	2.NC

Dimensions (mm)

Drilling

Printed circuit board mounting
Symmetrical X1 - X2 - X3

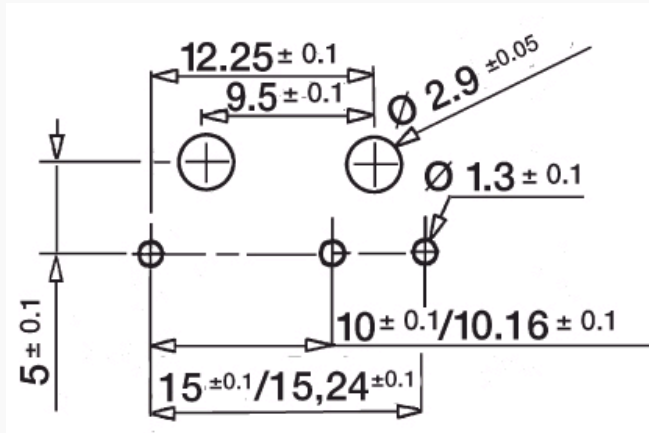


N°	Legend
1	1.N
2	4.NO
3	2.NC

Dimensions (mm)

Drilling

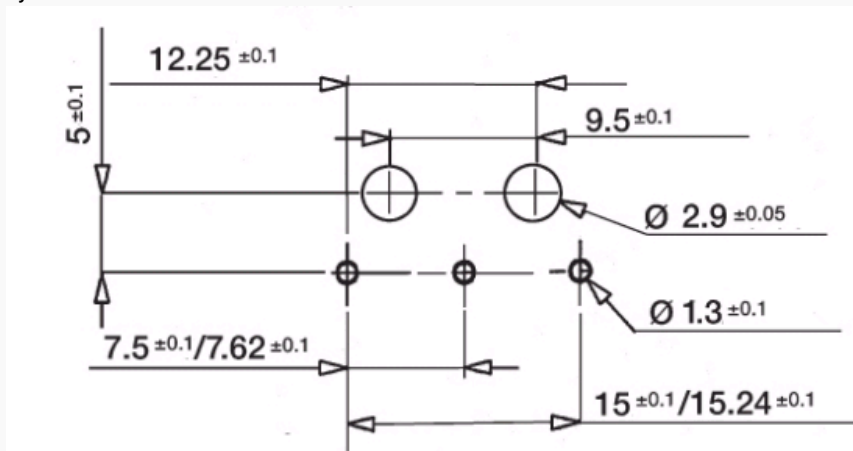
Mounting on a printed circuit board with fixing pins
Asymmetrical



Dimensions (mm)

Drilling

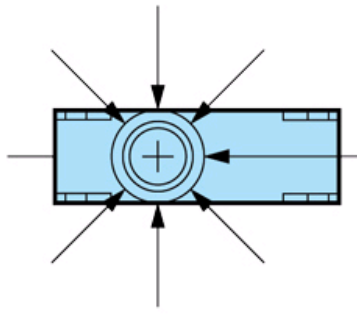
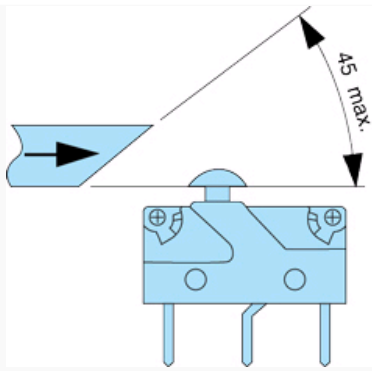
Mounting on a printed circuit board with fixing pins
Symmetrical



Dimensions (mm)

Drilling

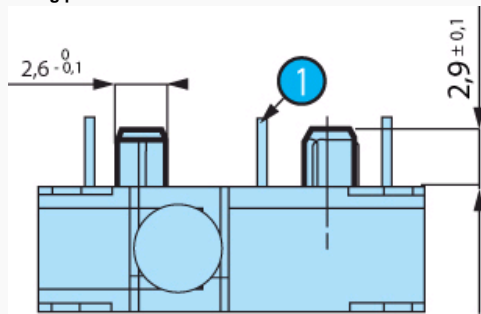
Recommendations for operation from the side



Dimensions (mm)

Drilling

Fixing pins

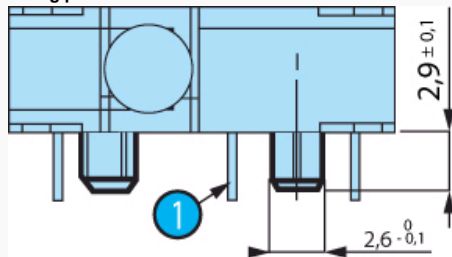


N°	Legend
①	Output on unit side : X2

Dimensions (mm)

Drilling

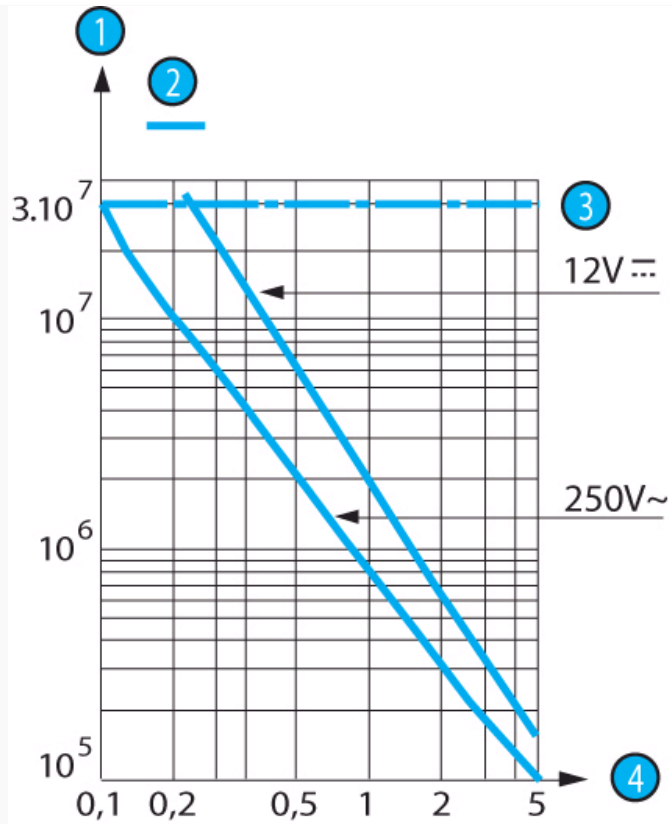
Fixing pins



N°	Legend
①	Output on cover side : X3

Curves

Operating curve for types 83 170 8 / 83 170 9



Models 83 170 8 and 83 170 9 are designed to operate equally well on dual-current (1 mA 4 V minimum) or medium-current (5 A maximum) circuits. However, a given product should only be used to switch one type of circuit during its working life.

N°	Legend
①	Number of cycles
②	Resistive circuit
③	Mechanical life limit
④	Current in Amps

Other information

Mounting - Operation

See basic technical concepts

Product adaptations



- Special connections

Mouser Electronics

Authorized Distributor

Click to View Pricing, Inventory, Delivery & Lifecycle Information:

Crouzet:

[831708C5.AL](#) [831709C1.0](#) [831709C1.EL](#) [831709C1.MB](#) [831709C2.0](#) [831709C2.AL](#) [831709C2.9785.10](#)
[831709C7.MB](#) [831709C2.BL](#) [831709C2.EL](#) [831709B1.0](#) [831709B2.0](#) [831709C1.AL](#) [831709C1.BL](#) [831709C1.CL](#)
[831709C1.79250083L](#) [831709C3.AL](#) [831709C3.FR](#) [831709C4.0](#) [831709C7.0](#) [831709C8.0](#) [831709A1.BL](#)
[831709A2.0](#) [831709B2.BL](#) [831709C2.9785.30](#) [831709C2.CL](#) [831709C2.MB](#) [831709C3.0](#) [831709C2.CR](#)
[831709C2.DL](#) [831709C2.ER](#) [831709C2.FL](#) [831709C5.0](#) [831709A1.0](#)