

DO NOT SCALE FROM THIS PRINT

DESIGNED & DIMENSIONED IN METRIC [INCHES]

IMS5-XX-XX

No. OF POSITIONS
 -02: 2 POSITIONS
 -03: 3 POSITIONS
 -04: 4 POSITIONS
 -06: 6 POSITIONS
 -08: 8 POSITIONS

OPTION
 -02: PLASTIC LATCH

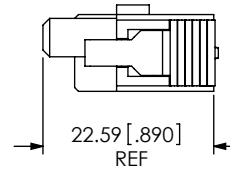
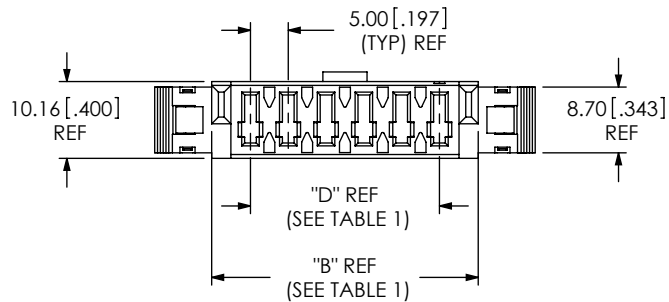
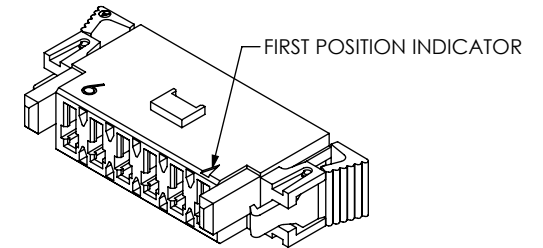
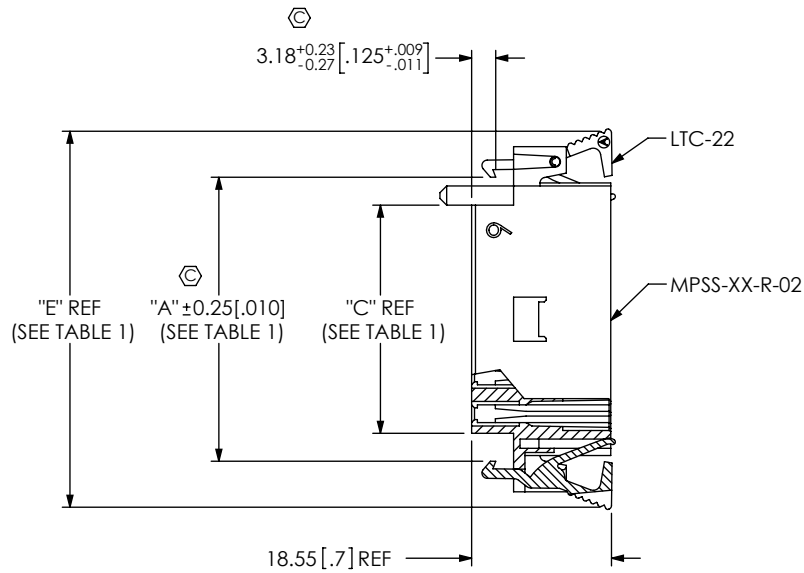


FIG 1
IMS5-06-02 SHOWN

TABLE 1					
No. OF POS	"A"	"B"	"C"	"D"	"E"
-02	17.78 [.700]	15.27 [.601]	10.19 [.401]	5.00 [.197]	30.07 [1.184]
-03	22.78 [.897]	20.26 [.798]	15.18 [.598]	10.00 [.394]	35.07 [1.381]
-04	27.79 [1.094]	25.25 [.994]	20.17 [.794]	15.01 [.591]	40.08 [1.578]
-06	37.80 [1.488]	35.26 [1.388]	30.18 [1.188]	24.99 [.984]	50.09 [1.972]
-08	47.80 [1.882]	45.26 [1.782]	40.18 [1.582]	35.00 [1.378]	60.10 [2.366]

NOTES:

1. REPRESENTS A CRITICAL DIMENSION.
2. MINIMUM LATCH RETENTION: 4.4 N [1 LB].
3. NOTE DELETED.

UNLESS OTHERWISE SPECIFIED, DIMENSIONS ARE IN MILLIMETERS. TOLERANCES ARE:
 DECIMALS ANGLES
 X.X: ±0.3 [.01] 2°
 X.XX: ±0.13 [.005]
 X.XXX: ±0.051 [.0020]

PROPRIETARY NOTE
 THIS DOCUMENT CONTAINS CONFIDENTIAL AND PROPRIETARY INFORMATION AND ALL DESIGN, MANUFACTURING, REPRODUCTION, USE, PATENT RIGHTS AND SALES RIGHTS ARE EXPRESSLY RESERVED BY SAMTEC, INC. THIS DOCUMENT SHALL NOT BE DISCLOSED, IN WHOLE OR PART, TO ANY UNAUTHORIZED PERSON OR ENTITY NOR REPRODUCED, TRANSFERRED OR INCORPORATED IN ANY OTHER PROJECT IN ANY MANNER WITHOUT THE EXPRESS WRITTEN CONSENT OF SAMTEC, INC.



520 PARK EAST BLVD, NEW ALBANY, IN 47150
 PHONE: 812-944-6733 FAX: 812-948-5047
 e-Mail info@SAMTEC.com code 55322

MATERIAL: DO NOT SCALE DRAWING SHEET SCALE: 1:1
 INSULATOR: NYLON, COLOR: BLACK
 LATCH: NYLON, COLOR: BLACK

DESCRIPTION:
 MPSS DISCRETE WIRE INSULATOR&LATCH ASM
 DWG. NO.

IMS5-XX-XX