



Ex command devices

Ex 14 RUV 10/1S-5m

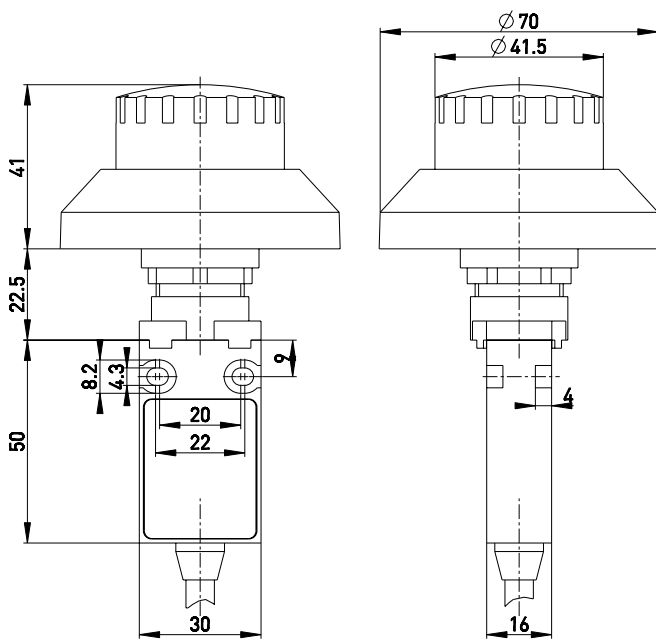
Material number: 1045527 (Material number old: 14059302)

Features/Options

- Ex zone 1 and 21
- Double insulated
- Mounting hole diameter 22.5 mm
- With pre-wired cable
- Actuator: Emergency-stop push-button RUV
- Actuator made of plastic

- Projection from front of panel 41 mm
- With collar to prevent blocking
- Reset by turning clockwise
- With pressure-point to protect against unintentional actuation
- N.B.: Please state required approvals for Russia, China, Brazil and North America with your order!

Dimensions



Technical data

Standards

EN 60947-5-1; EN 60079-0,
EN 60079-1, EN 60079-31;
EN ISO 13850; EN ISO 13849-1

Enclosure

glass-fibre reinforced,
shock-proof thermoplastic,
self-extinguishing UL 94-V0
IP 65 to IEC/EN 60529

Degree of protection

Contact material

silver

Switching system

slow action, positive break NC
contacts \ominus

Switching elements

1 NC/1 NO contact, type Zb

Connection

pre-wired cable H05VV-F

Cable cross-section

4 x 0.75 mm²

Cable length

5 m

B_{10d} (10 % Load)

60 000

T_M

max. 20 years

U_{imp}

4 kV

U_i

250 V

I_{the}

T6: 6 A, T5: 3 A

I_e/U_e

6 A/250 VAC; 0.25 A/230 VDC

Utilisation category

AC-15; DC-13

Max. fuse rating

6 A gG/gN fuse

Ambient temperature

T6: -20 °C ... +65 °C,
T5: -20 °C ... +75 °C, +90 °C with
max. 3 A

Mechanical life

> 30 000 operations

Operation cycles

1800/h

Impact energy

max. 4 J

Ex marking

Ex II 2G Ex d IIC T6/T5 Gb,

Ex II 2D Ex tb IIIC

T80 °C/T95 °C Db

IECEx Ex d IIC T6/T5 Gb,

Ex tb IIIC T80 °C/T95 °C Db

Approvals

PTB 03 ATEX 1070 X

IECEx PTB 06.0098X



Errors and omissions excepted.

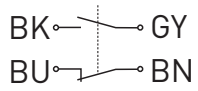


Ex command devices

Ex 14 RUV 1Ö/1S-5m

Material number: 1045527 (Material number old: 14059302)

Contact diagram



Switching diagram



Cut out dimensions

