

SAC-4P-M12MS FF TR VA - Termination resistor



1431403

<https://www.phoenixcontact.com/us/products/1431403>

Please be informed that the data shown in this PDF document is generated from our online catalog. Please find the complete data in the user documentation. Our general terms of use for downloads are valid.

FOUNDATION Fieldbus™ termination resistor, 4-pos., M12 connector, high-grade steel knurl



Commercial data

Item number	1431403
Packing unit	5 pc
Minimum order quantity	5 pc
Sales key	BF10
Product key	BF1GVX
Catalog page	Page 437 (C-2-2019)
GTIN	4046356431644
Weight per piece (including packing)	12.06 g
Weight per piece (excluding packing)	12.06 g
Customs tariff number	85332100
Country of origin	PL

SAC-4P-M12MS FF TR VA - Termination resistor



1431403

<https://www.phoenixcontact.com/us/products/1431403>

Technical data

Product properties

Product type	Terminal resistor
Number of positions	4

Insulation characteristics

Overvoltage category	II
Degree of pollution	3

Electrical properties

Insulation resistance	≥ 100 MΩ
Nominal voltage U _N	24 V AC
	24 V DC

General

Termination resistor	100 Ω (Contact 1 and 2, with 1 μF capacitor)
----------------------	--

Signaling

Status display	no
Status display present	No

Material specifications

Flammability rating according to UL 94	HB
Seal material	NBR
Material of grip body	TPU, hardly inflammable, self-extinguishing
Contact material	CuZn
Contact surface material	Ni/Au
Contact carrier material	TPU GF
Material for screw connection	Stainless steel

Connector

Connection 1

Type	Plug straight M12
Number of positions	4

Mechanical properties

Mechanical data

Insertion/withdrawal cycles	≥ 100
-----------------------------	-------

Environmental and real-life conditions

Ambient conditions

	IP65
--	------

SAC-4P-M12MS FF TR VA - Termination resistor



1431403

<https://www.phoenixcontact.com/us/products/1431403>

Degree of protection	IP67
	IP68
	IP69K
Ambient temperature (operation)	-25 °C ... 90 °C (Plug / socket)

SAC-4P-M12MS FF TR VA - Termination resistor

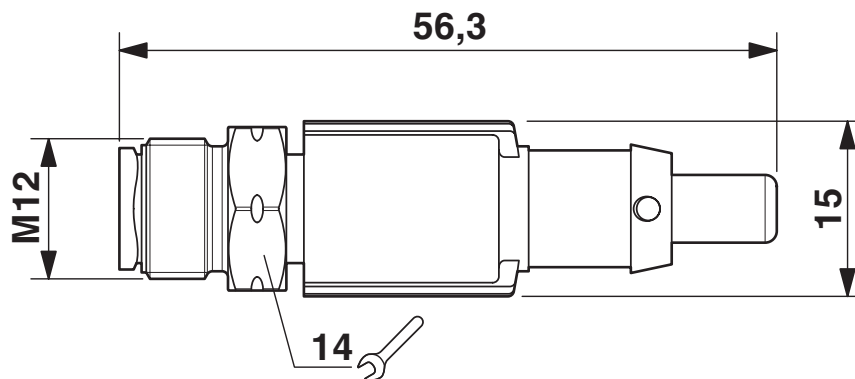


1431403

<https://www.phoenixcontact.com/us/products/1431403>

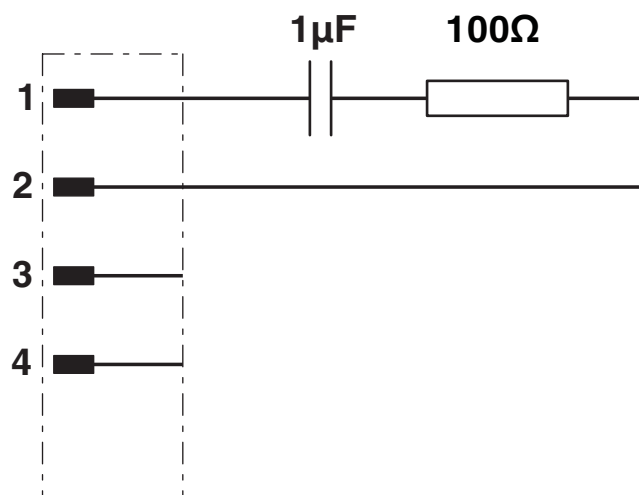
Drawings

Dimensional drawing



M12 termination resistor

Circuit diagram



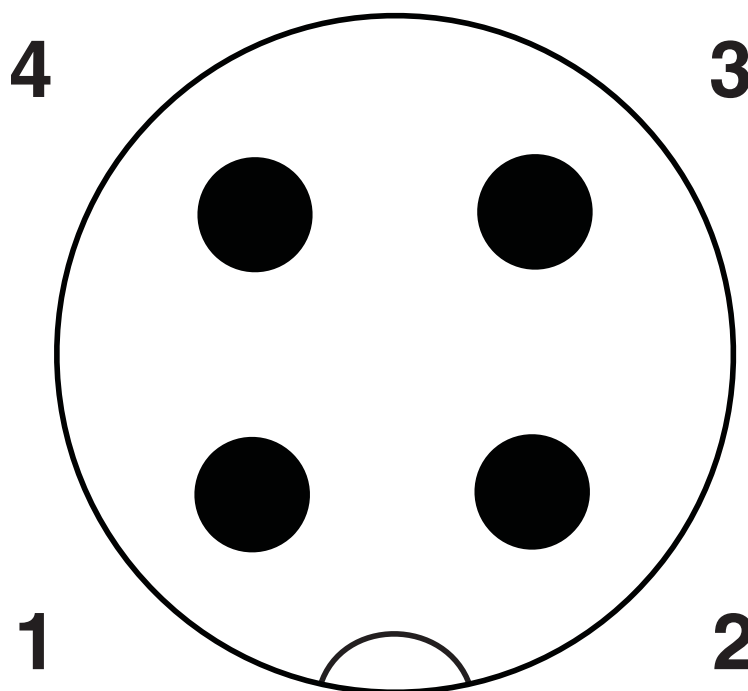
SAC-4P-M12MS FF TR VA - Termination resistor

1431403

<https://www.phoenixcontact.com/us/products/1431403>



Schematic diagram



Pin assignment M12 male connector, 4-pos., D-coded, male side

SAC-4P-M12MS FF TR VA - Termination resistor



1431403

<https://www.phoenixcontact.com/us/products/1431403>

Classifications

ECLASS

ECLASS-11.0	19070403
ECLASS-12.0	19070403
ECLASS-13.0	19070403

ETIM

ETIM 9.0	EC000448
----------	----------

UNSPSC

UNSPSC 21.0	32121600
-------------	----------

SAC-4P-M12MS FF TR VA - Termination resistor



1431403

<https://www.phoenixcontact.com/us/products/1431403>

Environmental product compliance

EU RoHS

Fulfills EU RoHS substance requirements	Yes, No exemptions
---	--------------------

China RoHS

Environment friendly use period (EFUP)	EFUP-E
	No hazardous substances above the limits

EU REACH SVHC

REACH candidate substance (CAS No.)	No substance above 0.1 wt%
-------------------------------------	----------------------------

Phoenix Contact 2024 © - all rights reserved
<https://www.phoenixcontact.com>

Phoenix Contact USA
586 Fulling Mill Road
Middletown, PA 17057, United States
(+717) 944-1300
info@phoenixcon.com