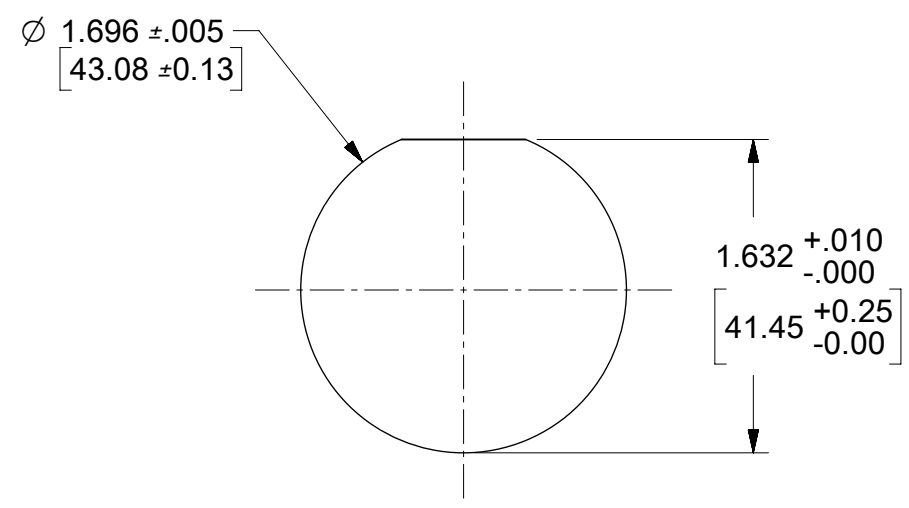
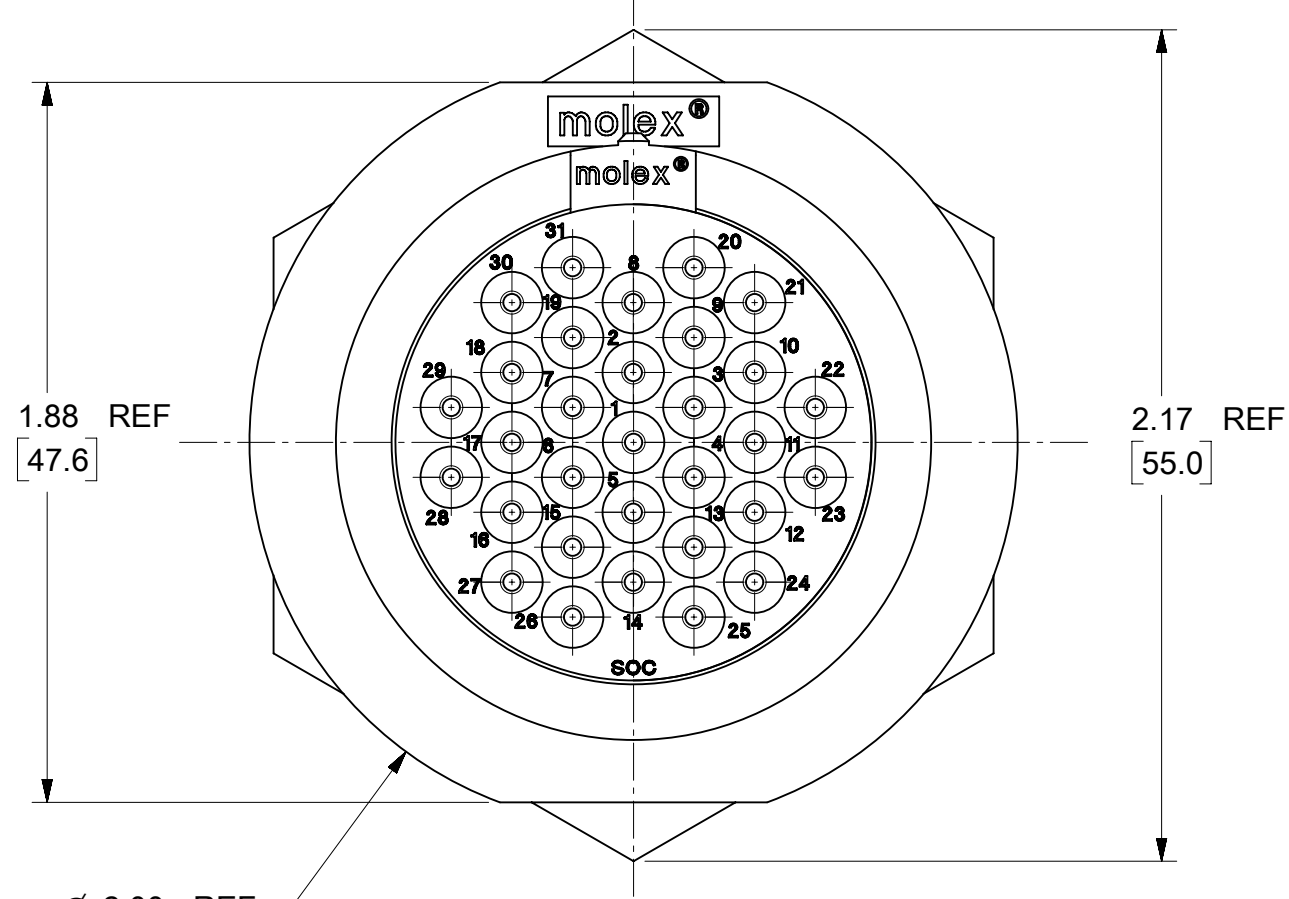


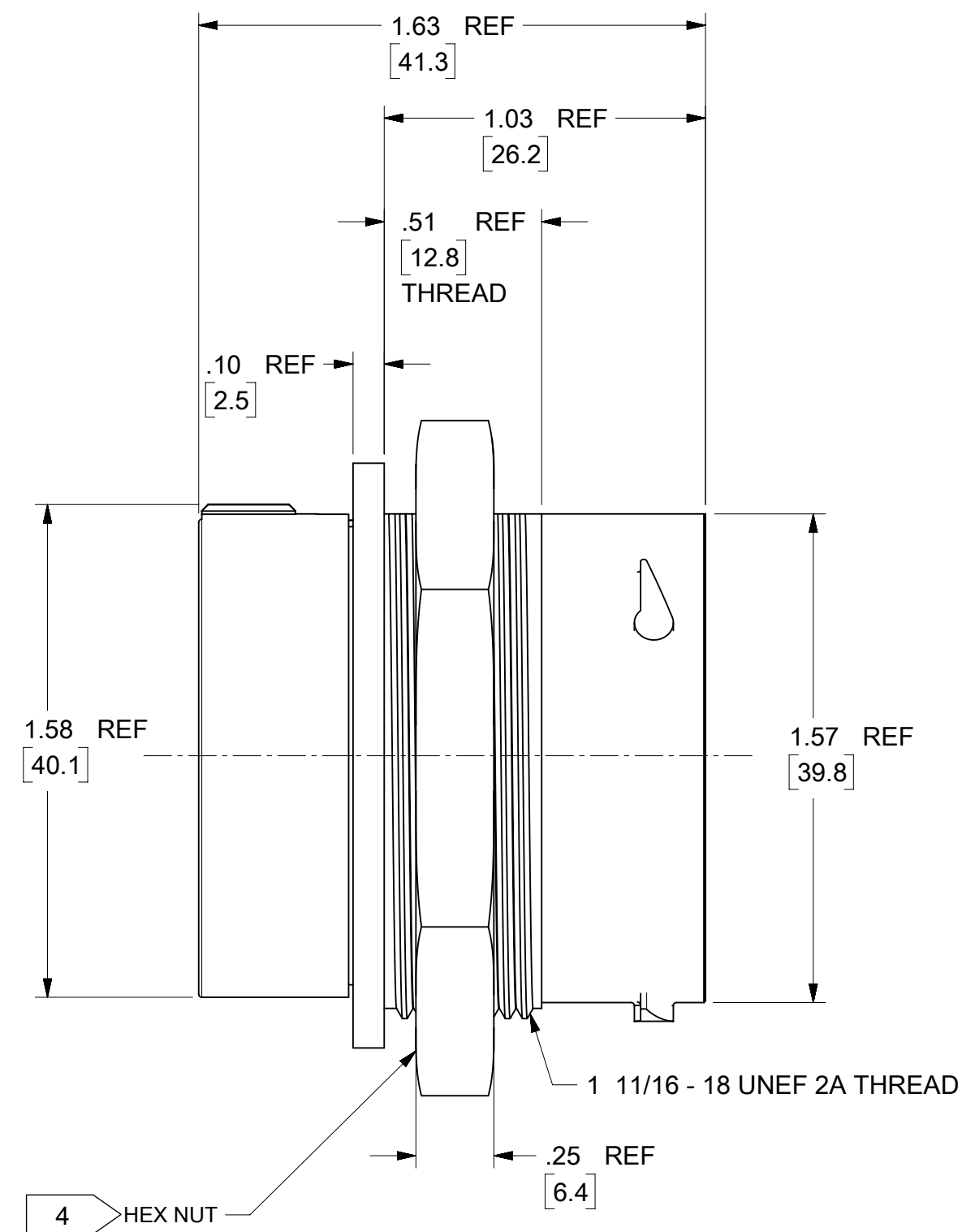
MATERIAL NUMBER	WIRE AWG	INSULATION O.D.	RING
845060001	18 - 14	.053 - .134 [1.35 - 3.40]	STANDARD BLACK



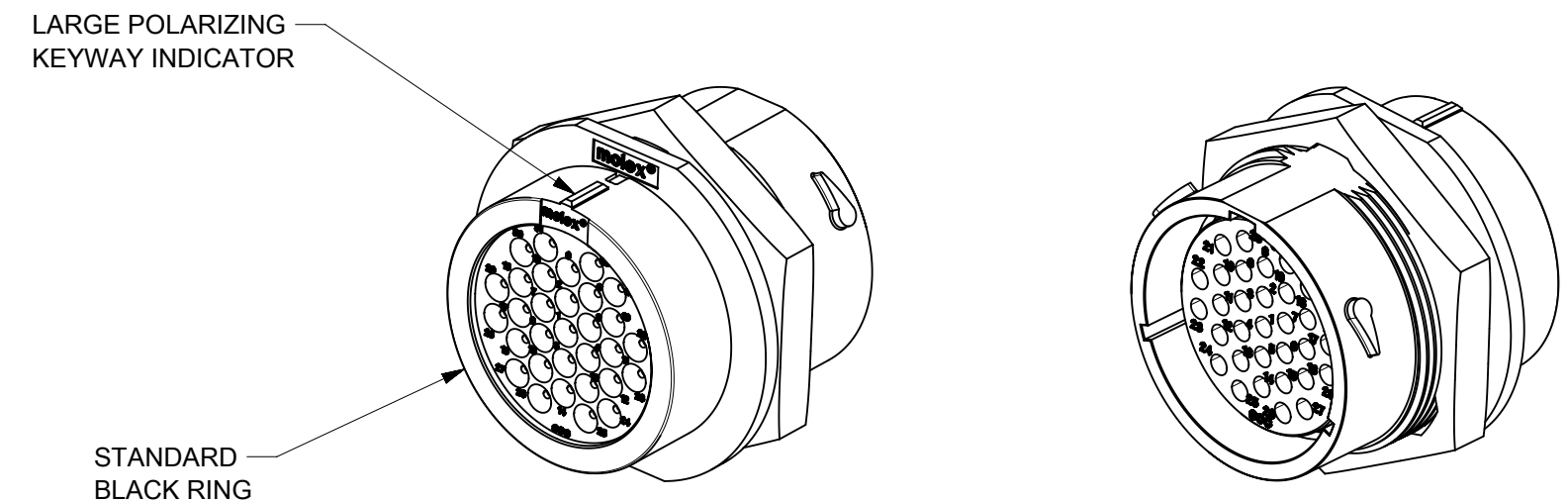
RECOMMENDED MOUNTING HOLE



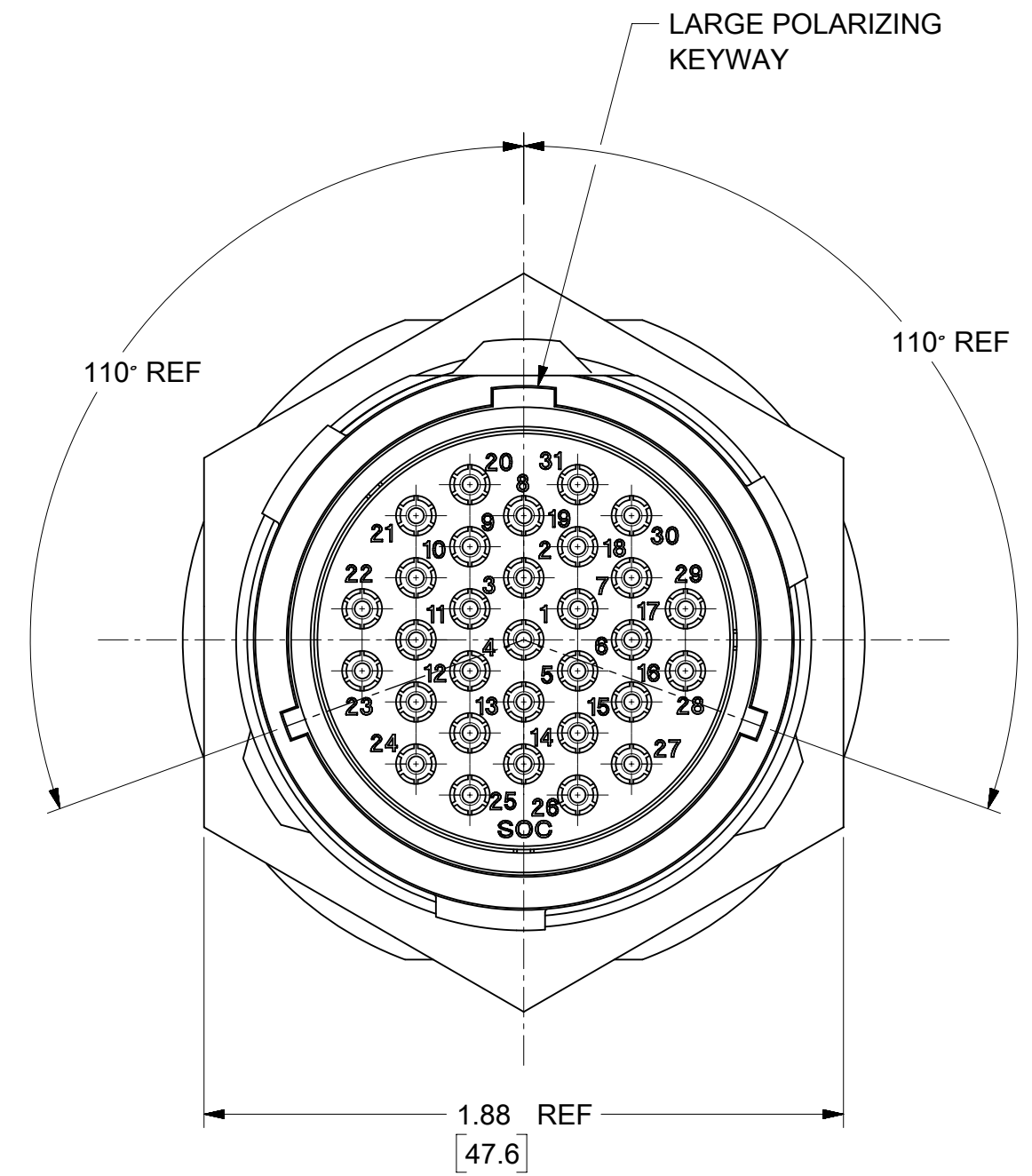
WIRE ENTRY VIEW



4 HEX NUT



SCALE 1:1

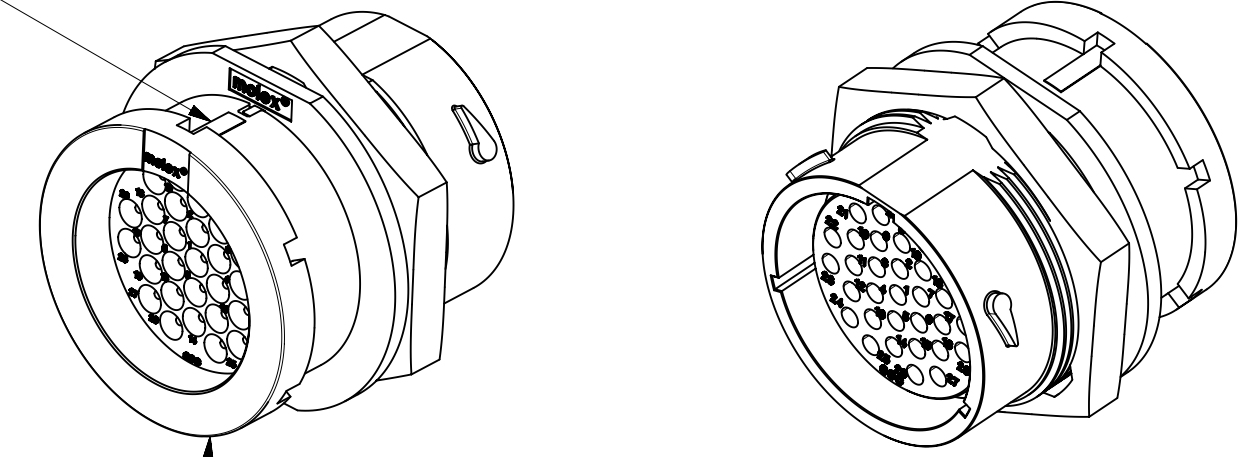


- NOTES:
1. RECOMMENDED PANEL THICKNESS .062[1.58] TO .187[4.75].
 2. USE CONNECTOR WITH FEMALE CRIMP TERMINAL SERIES 84525.
 3. MATES WITH PLUG CONNECTOR SERIES 84505.
 4. HEX NUT SOLD SEPARATELY, MOLEX MATERIAL NUMBER 84506-0012.
 5. ASSEMBLY IS ROHS COMPLIANT.
 6. PACKAGED PER PK-84501-001.

QUALITY SYMBOLS		THIS DRAWING CONTAINS INFORMATION THAT IS PROPRIETARY TO MOLEX ELECTRONIC TECHNOLOGIES, LLC AND SHOULD NOT BE USED WITHOUT WRITTEN PERMISSION			
▽ = 0	▽ = 0	CAD MIGRATION EC NO: 122085 DRWN: CRAODOREMS CHKD: SMC GREEVY REV / APPR: JDWALLACE	GENERAL TOLERANCES (UNLESS SPECIFIED)		DIMENSION UNITS
▽ = 0	▽ = 0		IN[MM]		SCALE
▽ = 0	▽ = 0		MM INCH		2:1
▽ = 0	▽ = 0		4 PLACES ± ±		DRWN BY DATE
▽ = 0	▽ = 0	3 PLACES ± ±		JPAWLICKI 2006/6/5	
▽ = 0	▽ = 0	2 PLACES ± ± 0.15		CHK'D BY DATE	
▽ = 0	▽ = 0	1 PLACES ± 0.38 ±		JPAWLICKI 2006/6/6	
▽ = 0	▽ = 0	0 PLACES ± ±		APPR BY DATE	
▽ = 0	▽ = 0	ANGULAR TOL = 2.0°		RDEROSS 2006/6/7	
▽ = 0	▽ = 0	DRAFT WHERE APPLICABLE MUST REMAIN WITHIN DIMENSIONS		DRAWING SIZE THIRD ANGLE PROJECTION	
▽ = 0	▽ = 0	C		C	
C1		SERIES		PRODUCT CUSTOMER DRAWING	
REV		84506		SERIES MATERIAL NUMBER CUSTOMER	
11		845060001		84506 845060001 GENERAL MARKET	
12		SD-84506-001		DOCUMENT NUMBER DOC TYPE DOC PART SHEET NUMBER	
14:46:19		PSD		001 1 OF 2	

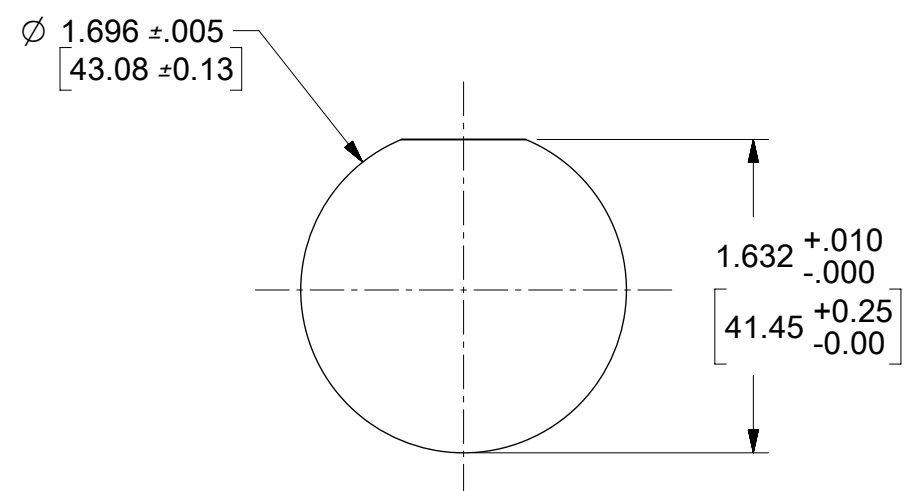
MATERIAL NUMBER	WIRE AWG	INSULATION O.D.	RING
845060003	18 - 14	.053 - .134 [1.35 - 3.40]	EXTENDED LIP BLACK

LARGE POLARIZING KEYWAY INDICATOR

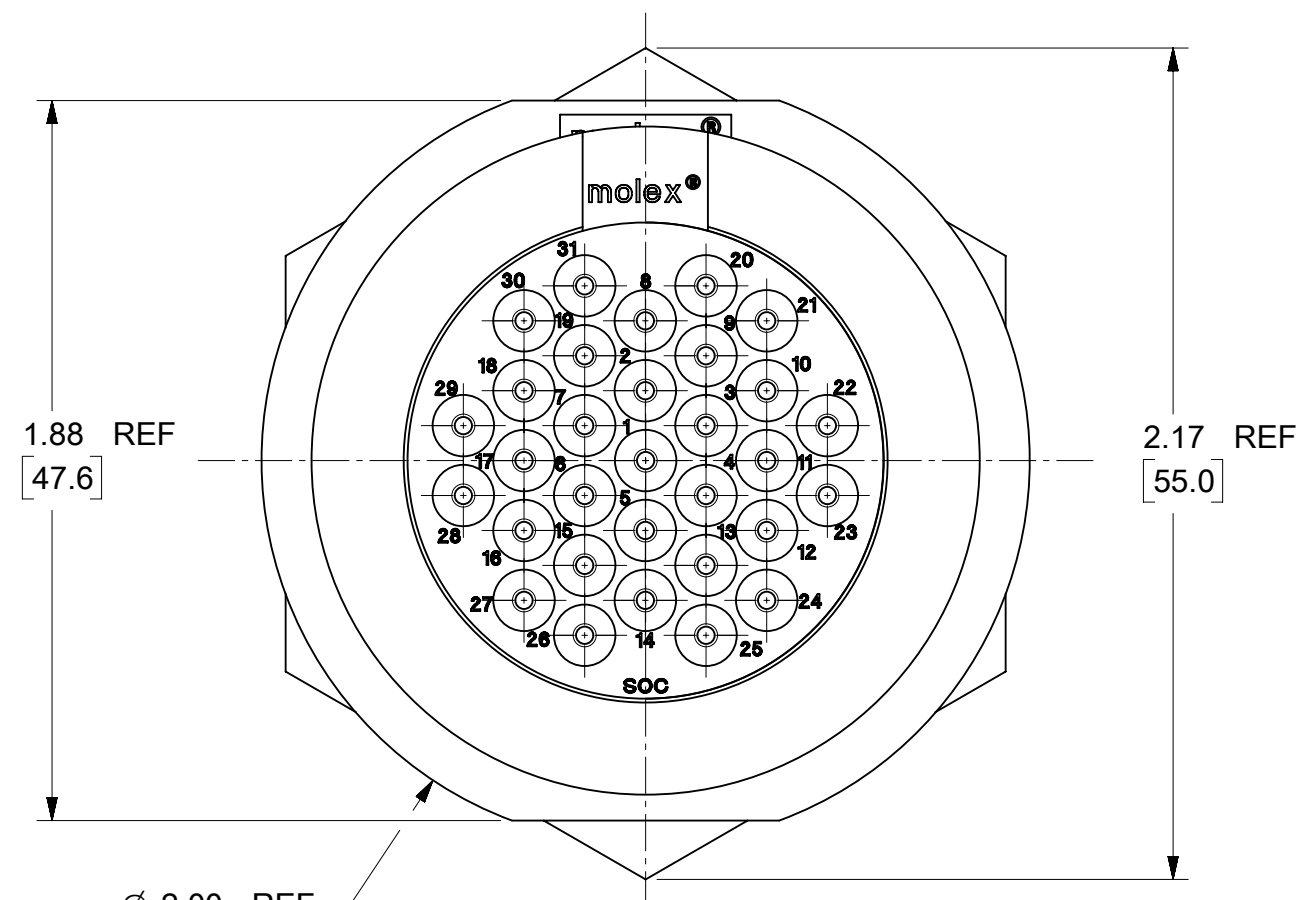


SCALE 1:1

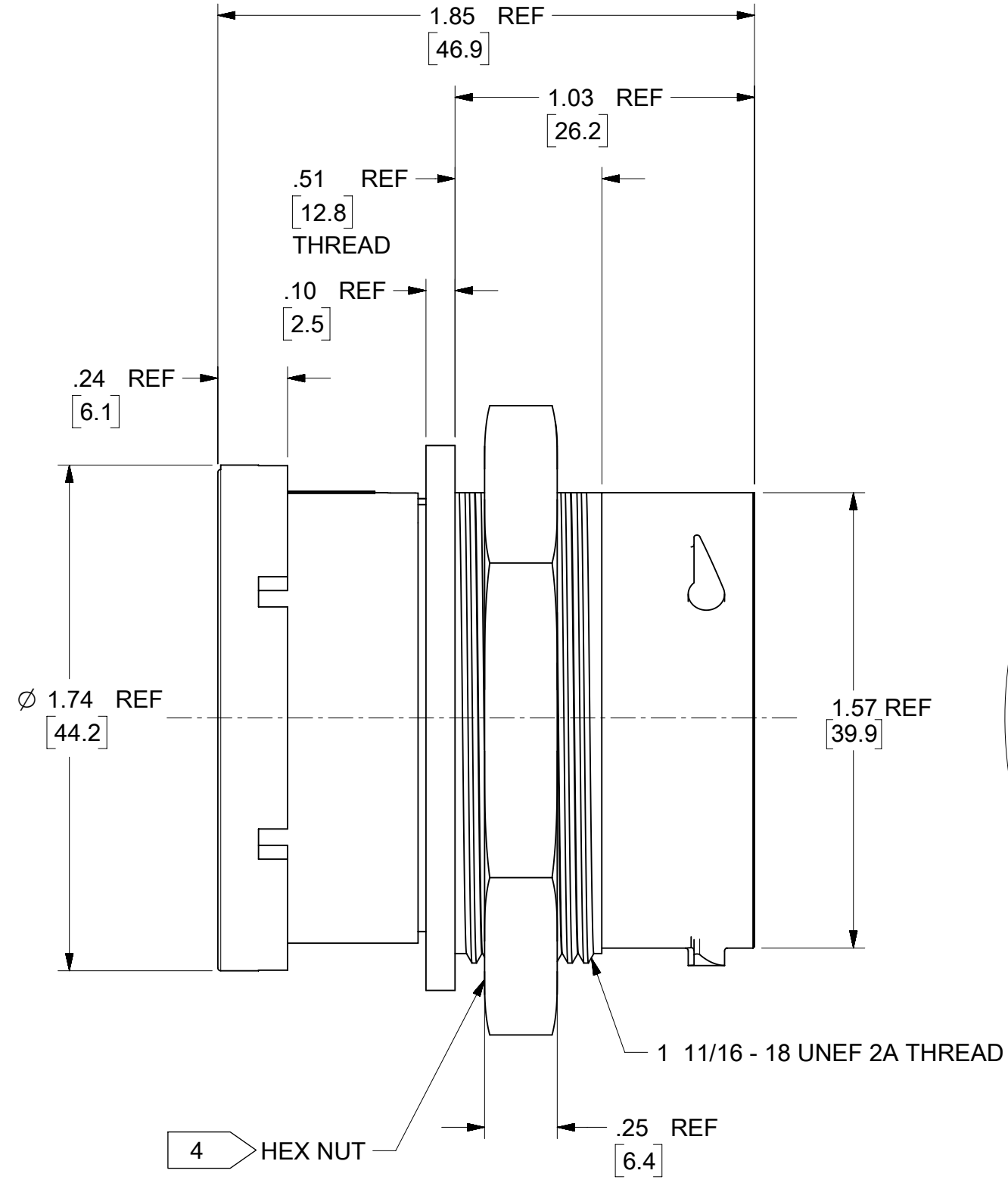
EXTENDED LIP BLACK RING



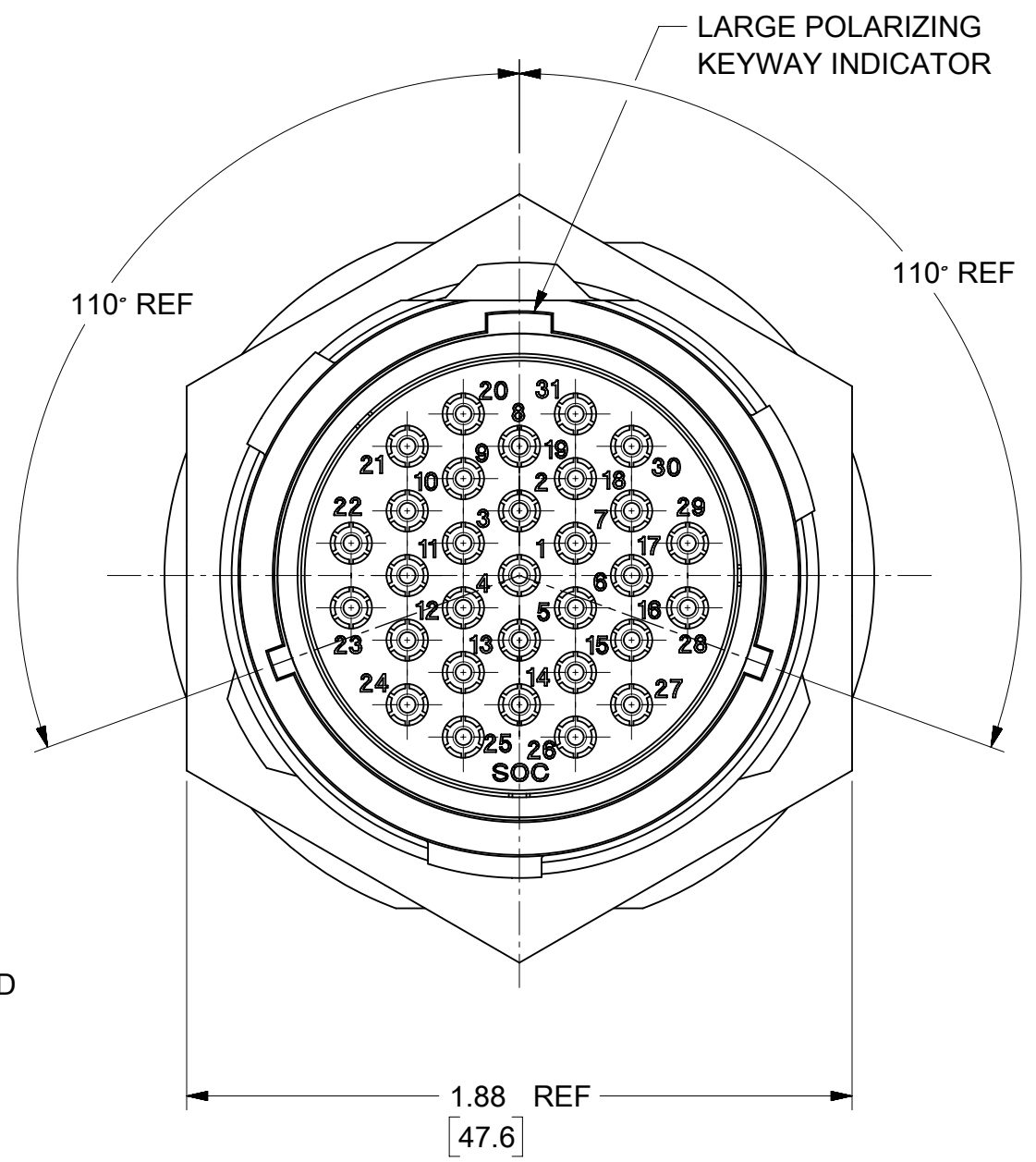
RECOMMENDED MOUNTING HOLE



WIRE ENTRY VIEW



4 HEX NUT



LARGE POLARIZING KEYWAY INDICATOR

110° REF

110° REF

- NOTES:
1. RECOMMENDED PANEL THICKNESS .062[1.58] TO .187[4.75].
 2. USE CONNECTOR WITH FEMALE CRIMP TERMINAL SERIES 84525.
 3. MATES WITH PLUG CONNECTOR SERIES 84505.
 4. HEX NUT SOLD SEPARATELY, MOLEX MATERIAL NUMBER 84506-0012.
 5. USE CONNECTOR WITH STRAIN RELIEF BACKSHELL, MOLEX MATERIAL NO. 84537-0003.
 6. ASSEMBLY IS ROHS COMPLIANT.
 7. PACKAGED PER PK-84501-001.

QUALITY SYMBOLS		THIS DRAWING CONTAINS INFORMATION THAT IS PROPRIETARY TO MOLEX ELECTRONIC TECHNOLOGIES, LLC AND SHOULD NOT BE USED WITHOUT WRITTEN PERMISSION							
CAD MIGRATION EC NO: 122085 DRWN: CRAODOREMS CHKD: SMC GREEVY REV APPR: JD WALLACE C1	2017/09/04	2017/10/03	GENERAL TOLERANCES (UNLESS SPECIFIED)		DIMENSION UNITS	SCALE			
			MM	INCH	IN[MM]	2:1			
			4 PLACES	±		DRWN BY	DATE		
			3 PLACES	±		JPAWLICKI	2006/6/5		
			2 PLACES	±	± 0.15	CHK'D BY	DATE		
			1 PLACES	±	± 0.38	JPAWLICKI	2006/6/6		
			0 PLACES	±	±	APPR BY	DATE		
						RDEROSS	2006/6/7		
					ANGULAR TOL = 2.0°	DRAWING SIZE	THIRD ANGLE PROJECTION		
					DRAFT WHERE APPLICABLE MUST REMAIN WITHIN DIMENSIONS	C			
RELEASE STATUS		P1	RELEASE DATE	03.10.2017	14:46:19				
						RECPT. CONNECTOR ASSEMBLY, 24-31 POS SOCKET TERMINALS			
						PRODUCT CUSTOMER DRAWING			
						SERIES	MATERIAL NUMBER	CUSTOMER	
						84506	845060003	GENERAL MARKET	
						DOCUMENT NUMBER	DOC TYPE	DOC PART	SHEET NUMBER
						SD-84506-001	PSD	001	2 OF 2