

RECOMMENDED PCB PATTERN LAYOUT
CONNECTOR SIDE

- NOTES:
- 1.COPLANARITY OF TERMINAL AND NAIL:0.1 MAXIMUM.
 - 2.WHEN DELIVERY, THE PUSH/PUSH MECHANISM IS IN THE STATE OF UNLOCK.
 - 3.WHEN DELIVERY, THE DETECT TERMINAL IS IN THE STATE OF CLOSE.
 - 4.PRODUCT SPECIFICATION REFER TO PS-48050-001.
 - 5.PACKAGE SPECIFICATION REFER TO PK-48050-001.

POSITION OF CARD	DETECT TERMINAL
DASHING	CLOSE
LOCK	OPEN
FULL STROKE	OPEN

NO.	DESCRIPTION	QTY	MATERIAL
9	FITTING NAIL	2	COPPER ALLOY, OVERALL: TIN(Sn) PLATING
8	SWITCH	1	COPPER ALLOY, CONTACT AREA:GOLD PLATING
7	DETECT PIN	1	COPPER ALLOY, CONTACT AREA:GOLD PLATING
6	COIL SPRING	1	PIANO WIRE
5	CAM PIN	1	STAINLESS STEEL
4	CAM SLIDER	1	HEAT RESISTANCE POLYMER, UL94V0, BLACK
3	TERMINALS	1	COPPER ALLOY, CONTACT AREA:GOLD PLATING
2	METAL SHELL	1	STAINLESS STEEL
1	HOUSING	1	HEAT RESISTANCE POLYMER, UL94V0, BLACK

PIN NO	PIN NAME(SD MODE)
1	CD/DAT3
2	CMD
3	VSS1
4	VDD
5	CLK
6	VSS2
7	DAT2
8	DAT1
9	DAT2
10	NC(FOR FUTURE USE)
11	NC(FOR FUTURE USE)

DIM'A'	REMARK
2.03	WITHOUT CARD
2.10	WITH CARD INSERTION (ONLY FOR AREA OF 'S')

REVISE
EC NO: SH2006-0214
DRWN:GLLI
CHKD:
APPR:GRMA

DATE: 2005/12/12
DATE: 2006/01/03
DATE: 2006/01/05

QUALITY SYMBOLS
▽=0
▽C=0

GENERAL TOLERANCES (UNLESS SPECIFIED)
mm INCH

4 PLACES ± --- ± ---
3 PLACES ± --- ± ---
2 PLACES ± 0.15 ± ---
1 PLACE ± 0.25 ± ---
ANGULAR ±1/2°

DRAFT WHERE APPLICABLE
MUST REMAIN WITHIN DIMENSIONS

DIMENSION STYLE
MM ONLY

DRAWN BY DATE
DIXON LI 2005/10/18

CHECKED BY DATE
GRATE MA 2005/10/18

APPROVED BY DATE
GARY CHEN 2005/10/18

MATERIAL NO.
48050-0001

SCALE
2:1

DESIGN UNITS
METRIC

THIRD ANGLE PROJECTION

TITLE
SALES DRAWING
MINI SD CONNECTOR
-LEAD FREE-

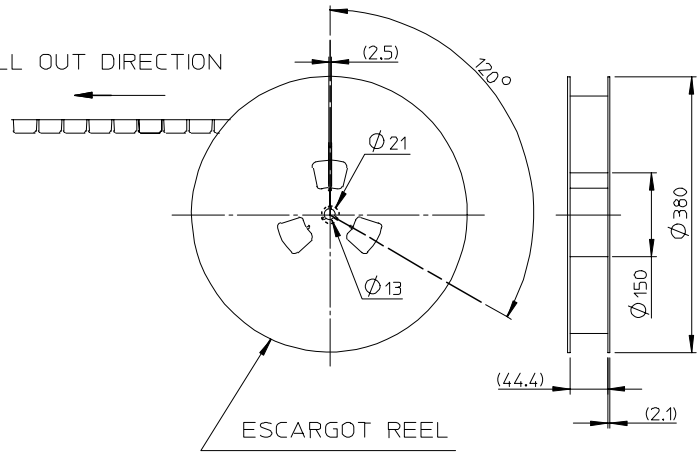
MOLEX INCORPORATED

DOCUMENT NO.
SD-48050-001

SHEET NO.
1 OF 2

THIS DRAWING CONTAINS INFORMATION THAT IS PROPRIETARY TO MOLEX INCORPORATED AND SHOULD NOT BE USED WITHOUT WRITTEN PERMISSION

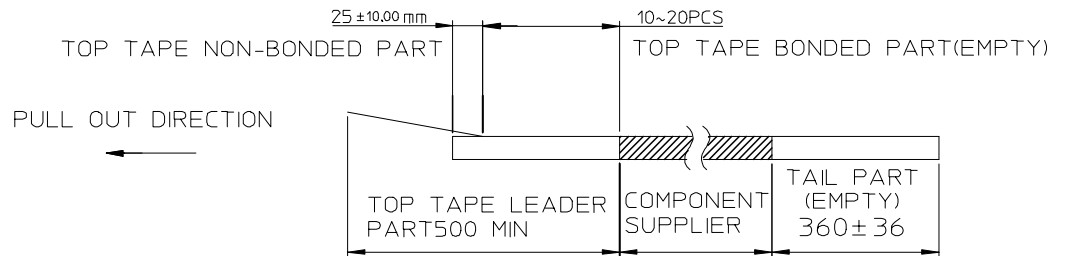
PULL OUT DIRECTION



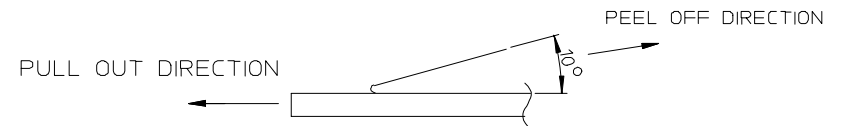
ESCARGOT REEL

NOTES

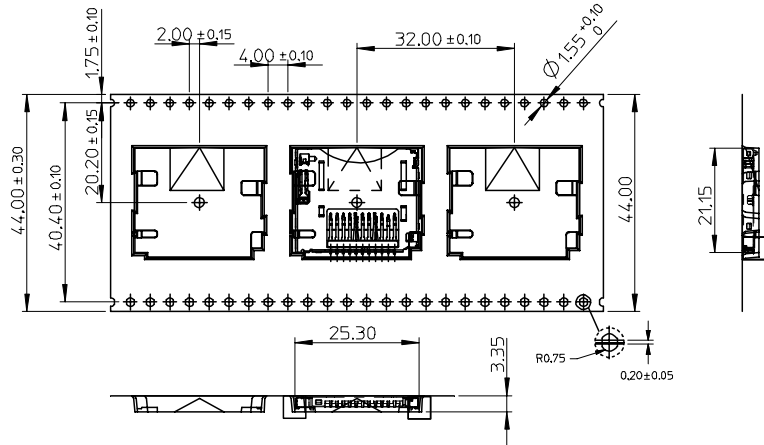
1. NUMBER OF CONNECTORS: 250 PCS/REEL
- 2.



3. PEEL OFF FORCE OF TOP TAPE: 0.1~1.3 N (10.2~130gf)
PEELING DIRECTION AS SHOWN IN FOLLOWING FIG.)
(PEEL OFF SPEED: 300mm/min.REF.)



4. PACKAGING DRAWING REFERS TO PK-48141-001.



PULL OUT DIRECTION

DIRECTION OF CONNECTOR IN EMBOSSED TAPE

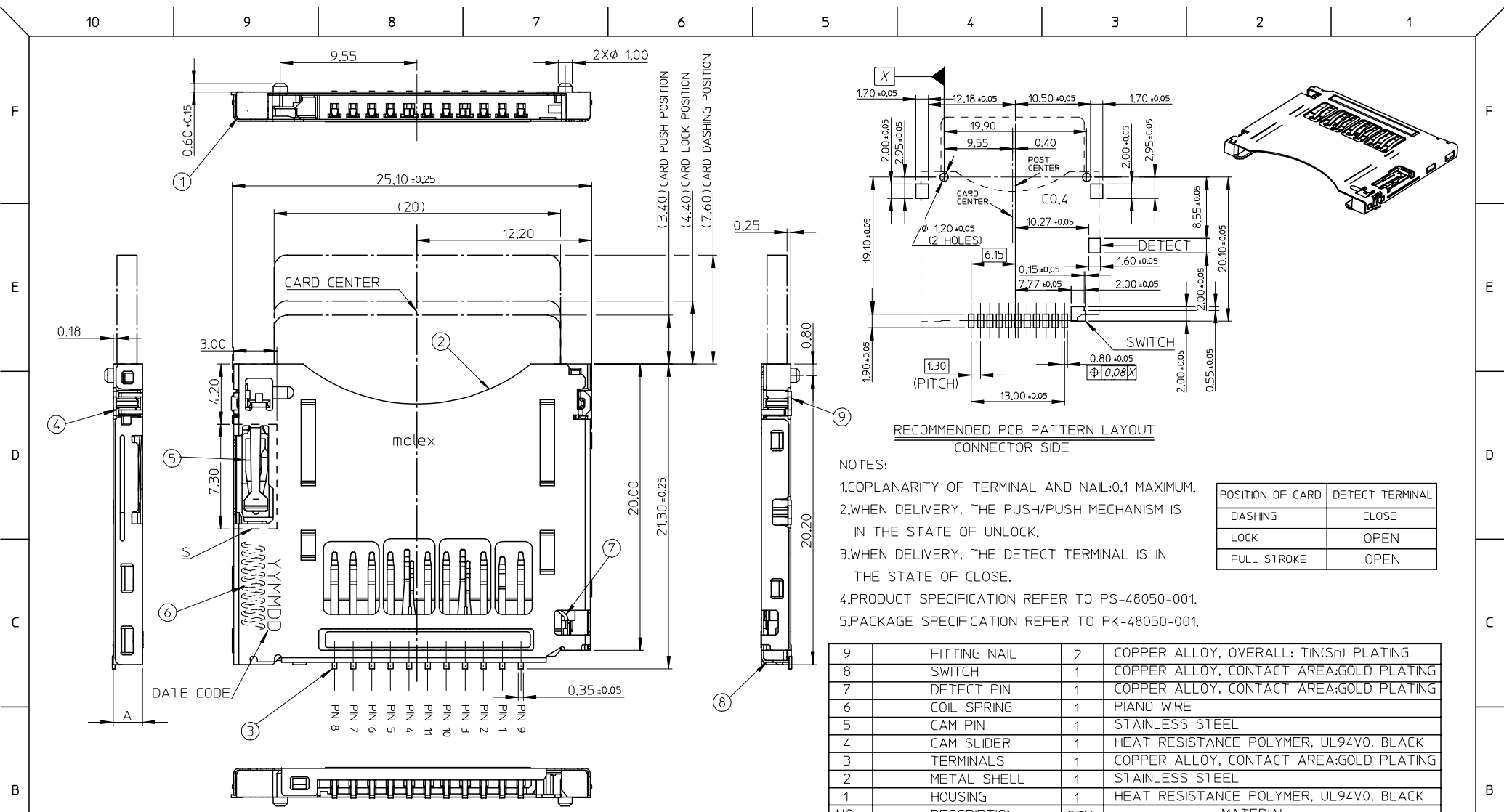
REVISE SH:2006-0214 EC NO: SH2006-0214 DRWN:GLLI CHKD: APPR:GRMA	2005/12/12	DESCRIPTION
	2006/01/03	
	2006/01/05	

QUALITY SYMBOLS	▽=0
	∇=0

GENERAL TOLERANCES (UNLESS SPECIFIED)	
mm	INCH
4 PLACES ± ---	± ---
3 PLACES ± ---	± ---
2 PLACES ± 0.15	± ---
1 PLACE ± 0.25	± ---
ANGULAR ± 1/2°	
DRAFT WHERE APPLICABLE MUST REMAIN WITHIN DIMENSIONS	

DIMENSION STYLE MM ONLY	
DRAWN BY DIXON LI	DATE 2005/10/18
CHECKED BY GRATE MA	DATE 2005/10/18
APPROVED BY GARY CHEN	DATE 2005/10/18
MATERIAL NO. 48050-0001	

SCALE	DESIGN UNITS METRIC	THIRD ANGLE PROJECTION	
TITLE SALES DRAWING MINI SD CONNECTOR -LEAD FREE-		MOLEX INCORPORATED	
DOCUMENT NO. SD-48050-001	SHEET NO. 2 OF 2		



- NOTES:
- 1.COPLANARITY OF TERMINAL AND NAIL:0.1 MAXIMUM.
 - 2.WHEN DELIVERY, THE PUSH/PUSH MECHANISM IS IN THE STATE OF UNLOCK.
 - 3.WHEN DELIVERY, THE DETECT TERMINAL IS IN THE STATE OF CLOSE.
 - 4.PRODUCT SPECIFICATION REFER TO PS-48050-001.
 - 5.PACKAGE SPECIFICATION REFER TO PK-48050-001.

POSITION OF CARD	DETECT TERMINAL
DASHING	CLOSE
LOCK	OPEN
FULL STROKE	OPEN

NO.	DESCRIPTION	QTY	MATERIAL
9	FITTING NAIL	2	COPPER ALLOY, OVERALL: TIN(Sn) PLATING
8	SWITCH	1	COPPER ALLOY, CONTACT AREA:GOLD PLATING
7	DETECT PIN	1	COPPER ALLOY, CONTACT AREA:GOLD PLATING
6	COIL SPRING	1	PIANO WIRE
5	CAM PIN	1	STAINLESS STEEL
4	CAM SLIDER	1	HEAT RESISTANCE POLYMER, UL94V0, BLACK
3	TERMINALS	1	COPPER ALLOY, CONTACT AREA:GOLD PLATING
2	METAL SHELL	1	STAINLESS STEEL
1	HOUSING	1	HEAT RESISTANCE POLYMER, UL94V0, BLACK

PIN NO	PIN NAME(SD MODE)
1	CD/DAT3
2	CMD
3	VSS1
4	VDD
5	CLK
6	VSS2
7	DAT2
8	DAT1
9	DAT2
10	NC(FOR FUTURE USE)
11	NC(FOR FUTURE USE)

DIM'A'	REMARK
2.03	WITHOUT CARD
2.10	WITH CARD INSERTION (ONLY FOR AREA OF 'S')

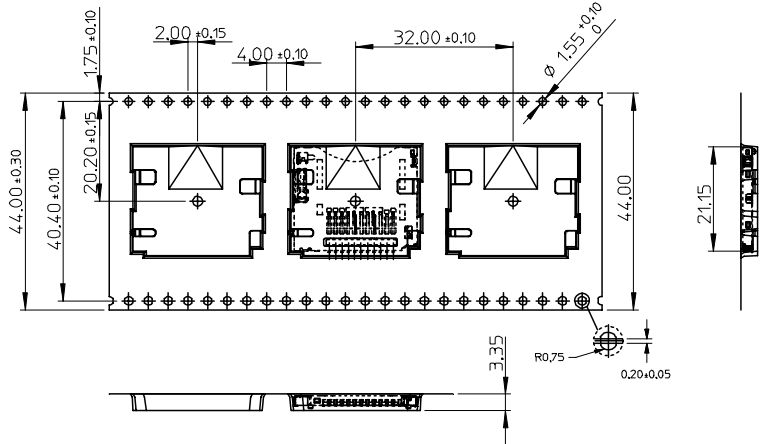
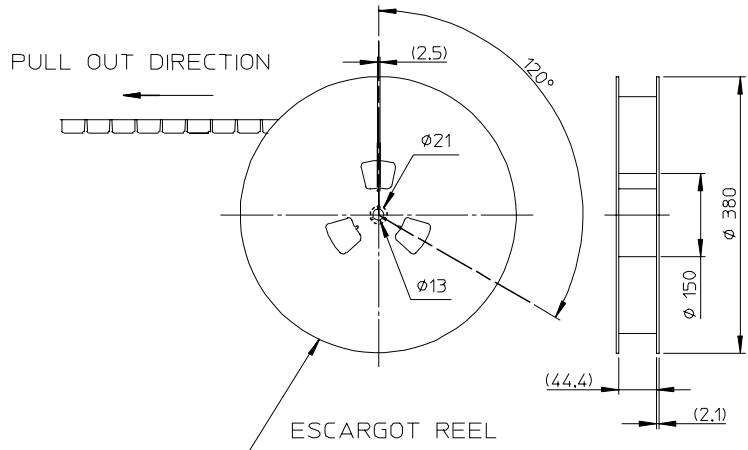
RTM
 EC NO: 2005/04/06
 DRAWN:GLL 2005/04/07
 CHKD: 2005/04/07
 APPR: YTYAP 2005/04/08

QUALITY SYMBOLS
 ▽ = 0
 ▽ = 0
 ▽ = 0

GENERAL TOLERANCES (UNLESS SPECIFIED)
 4 PLACES ± --- ± ---
 3 PLACES ± --- ± ---
 2 PLACES ± 0.15 ± ---
 1 PLACE ± 0.25 ± ---
 ANGULAR ± 1/2°
 DRAFT WHERE APPLICABLE
 MUST REMAIN WITHIN DIMENSIONS

SCALE 2:1
 DESIGN UNITS METRIC
 DIMENSION STYLE MM ONLY
 DRAWN BY VPENG DATE 20031015
 CHECKED BY WWSCHANG DATE 20031015
 APPROVED BY ELAN DATE 20031015

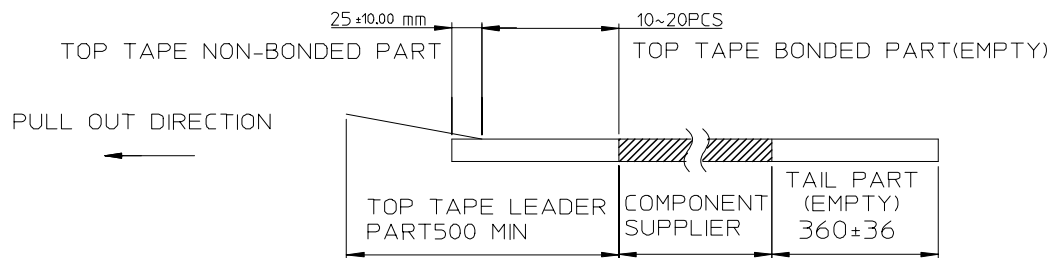
THIRD ANGLE PROJECTION
 REVISE ON CAD ONLY
 SALES DRAWING
 MINI SD CONNECTOR
 -LEAD FREE-
 MOLEX INCORPORATED
 MATERIAL NO. 48050-0001
 DOCUMENT NO. SD-48050-001
 SHEET NO. 1 OF 2
 THIS DRAWING CONTAINS INFORMATION THAT IS PROPRIETARY TO MOLEX INCORPORATED AND SHOULD NOT BE USED WITHOUT WRITTEN PERMISSION



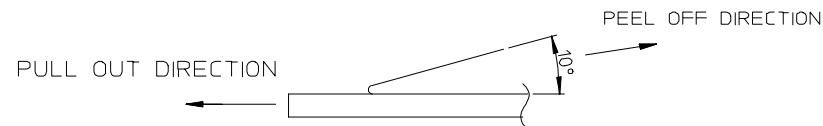
PULL OUT DIRECTION
DIRECTION OF CONNECTOR IN EMBOSSED TAPE

NOTES

1. NUMBER OF CONNECTORS: 250 PCS/REEL
- 2.



3. PEEL OFF FORCE OF TOP TAPE: 0.1~1.3 N (10.2~130gf)
PEELING DIRECTION AS SHOWN IN FOLLOWING FIG.)
(PEEL OFF SPEED: 300mm/min.REF.)



4. PACKAGING DRAWING REFERS TO PK-48141-001.

RTM SH2005-0114 EC NO: SH2005-0114 DRAWN: GLLI CHKD: 2005/04/07 APPR: YIYAP 2005/04/06 2005/04/08	QUALITY SYMBOLS	GENERAL TOLERANCES (UNLESS SPECIFIED)	DIMENSION STYLE MM ONLY	SCALE	DESIGN UNITS METRIC	THIRD ANGLE PROJECTION																																	
	$\nabla = 0$ $\sphericalcap = 0$	<table border="1"> <thead> <tr> <th></th> <th>mm</th> <th>INCH</th> </tr> </thead> <tbody> <tr> <td>4 PLACES</td> <td>± ---</td> <td>± ---</td> </tr> <tr> <td>3 PLACES</td> <td>± ---</td> <td>± ---</td> </tr> <tr> <td>2 PLACES</td> <td>± 0.15</td> <td>± ---</td> </tr> <tr> <td>1 PLACE</td> <td>± 0.25</td> <td>± ---</td> </tr> <tr> <td colspan="3">ANGULAR ± 1/2°</td> </tr> </tbody> </table>		mm	INCH	4 PLACES	± ---	± ---	3 PLACES	± ---	± ---	2 PLACES	± 0.15	± ---	1 PLACE	± 0.25	± ---	ANGULAR ± 1/2°			<table border="1"> <thead> <tr> <th>DRAWN BY</th> <th>DATE</th> <th>TITLE</th> </tr> </thead> <tbody> <tr> <td>VPENG</td> <td>20031015</td> <td rowspan="4"> SALES DRAWING MINI SD CONNECTOR -LEAD FREE- MOLEX INCORPORATED </td> </tr> <tr> <td>CHECKED BY</td> <td>DATE</td> </tr> <tr> <td>MWSCHANG</td> <td>20031015</td> </tr> <tr> <td>APPROVED BY</td> <td>DATE</td> </tr> <tr> <td>ELAN</td> <td>20031015</td> <td> MOLEX INCORPORATED DOCUMENT NO. SD-48050-001 </td> </tr> </tbody> </table>	DRAWN BY	DATE	TITLE	VPENG	20031015	SALES DRAWING MINI SD CONNECTOR -LEAD FREE- MOLEX INCORPORATED	CHECKED BY	DATE	MWSCHANG	20031015	APPROVED BY	DATE	ELAN	20031015	MOLEX INCORPORATED DOCUMENT NO. SD-48050-001			
		mm	INCH																																				
	4 PLACES	± ---	± ---																																				
3 PLACES	± ---	± ---																																					
2 PLACES	± 0.15	± ---																																					
1 PLACE	± 0.25	± ---																																					
ANGULAR ± 1/2°																																							
DRAWN BY	DATE	TITLE																																					
VPENG	20031015	SALES DRAWING MINI SD CONNECTOR -LEAD FREE- MOLEX INCORPORATED																																					
CHECKED BY	DATE																																						
MWSCHANG	20031015																																						
APPROVED BY	DATE																																						
ELAN	20031015	MOLEX INCORPORATED DOCUMENT NO. SD-48050-001																																					
DESCRIPTION	DRAFT WHERE APPLICABLE MUST REMAIN WITHIN DIMENSIONS	MATERIAL NO. 48050-0001	SIZE A3	SHEET NO. 2 OF 2																																			
REV		THIS DRAWING CONTAINS INFORMATION THAT IS PROPRIETARY TO MOLEX INCORPORATED AND SHOULD NOT BE USED WITHOUT WRITTEN PERMISSION																																					

Mouser Electronics

Authorized Distributor

Click to View Pricing, Inventory, Delivery & Lifecycle Information:

[Molex:](#)

[48050-0001](#)