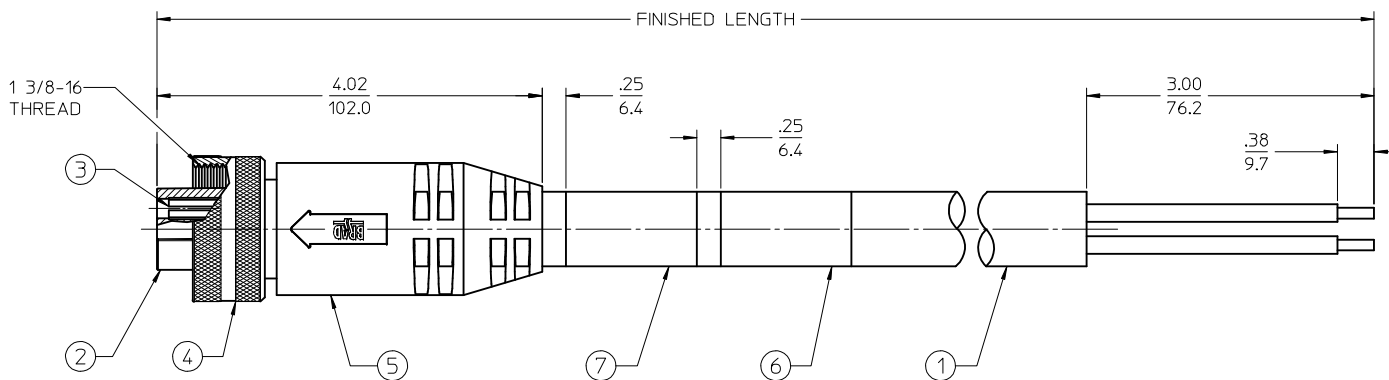
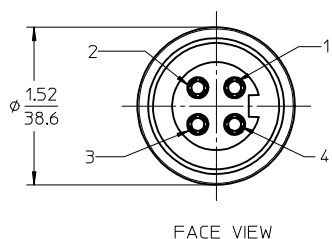


MATERIAL NO.	ENGINEERING NO.	LENGTH
1300633005	C04000K17M010G	1M
1300630273	C04000K17M020G	2M
1300633006	C04000K17M030G	3M

(B1)

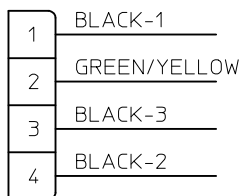
CABLE LENGTH TOLERANCES

>.3M [1FT]: +19mm-0 [+1.75in-0]  
 .3 - .9M [1 - 3FT]: +44.5mm-0 [+1.75in-0]  
 .9 - 1.8M [3 - 6FT]: +55.6mm-0 [+2.19in-0]  
 1.8 - 3.7M [6 - 12FT]: +88.9mm-0 [+3.50in-0]  
 3.7 - 7.3M [12 - 24FT]: +165.1mm-0 [+6.50in-0]  
 7.3-14.6M [24 - 48FT]: +317.5mm-0 [+12.50in-0]  
 14.6 - 30.5M [48-100FT]: +622.3mm-0 [+24.50in-0]  
 OVER 30M [100FT] +2% OF FINISHED LENGTH



(B1)

- NOTES:
- MATERIAL: AS NOTED
  - FINISHES: AS NOTED
  - ELECTRICAL SPECIFICATIONS  
 VOLTAGE RATING: 500V PER IEC60664  
 600V PER UL2237  
 CURRENT RATING: 32 AMPS
  - PROTECTION: IP67 (WHEN MATED)
  - TEMP RANGE: -20°C TO +90°C
  - AGENCY LISTING: E258922
  - DIMS SHOWN ARE FOR REFERENCE UNLESS NOTED OTHERWISE



WIRING DIAGRAM

PART NUMBER LEGEND

C04000K17M001G

CABLE TYPE: 10 AWG TC ER, BLACK

OVERMOLD COLOR: BLACK

FINISHED LENGTH:  
 M001= .1M  
 M010= 1.0M  
 M100= 10.0M

7	WARNING LABEL	VINYL	ORANGE/BLACK
6	WRAP LABEL	VINYL	BLACK/YELLOW
5	OVERMOLD	PVC	BLACK
4	COUPLING	ALUMINUM	CLEAR ANODIZE
3	CONTACT SOCKET	Cu ALLOY	GOLD PLATED
2	INSERT	PVC	BLACK
1	CABLE, 10/4 TC-ER (SEE NOTE 5)	TPE JACKET	BLACK
ITEM	DESCRIPTION	MATERIAL	FINISH

REV	DESCRIPTION	DATE
B1	UPDATE NOTES, ADD P/N & LENGTH TOL TABLES	2017/05/24
	APPR: BWOODMAN	2017/05/24
	CHKD: M ZIELIN	2017/04/28
	DRWN: RSTONE	2017/04/14

QUALITY SYMBOLS

▽=2

▽=0

GENERAL TOLERANCES (UNLESS SPECIFIED)

	mm	INCH
4 PLACES	± .005	± .0005
3 PLACES	± .005	± .0005
2 PLACES	± .005	± .0005
1 PLACE	± .005	± .0005
0 PLACE	± .005	± .0005

ANGULAR ± --- °  
 DRAFT WHERE APPLICABLE MUST REMAIN WITHIN DIMENSIONS

DIMENSION STYLE IN/MM

DRAWN BY DATE  
 RSTONE 2016/01/14

CHECKED BY DATE  
 BWOODMAN 2016/03/25

APPROVED BY DATE  
 BWOODMAN 2016/03/25

SCALE 1:1

DESIGN UNITS INCH

THIRD ANGLE PROJECTION

TITLE  
 QUICK CHANGE 4 POLE FEMALE STRAIGHT 10/4 TPE BLACK

DOCUMENT NO. SD-130063-095

SHEET NO. 1 OF 1

THIS DRAWING CONTAINS INFORMATION THAT IS PROPRIETARY TO MOLEX INCORPORATED AND SHOULD NOT BE USED WITHOUT WRITTEN PERMISSION

SIZE C

# Mouser Electronics

Authorized Distributor

Click to View Pricing, Inventory, Delivery & Lifecycle Information:

[Molex:](#)

[1300630273](#)