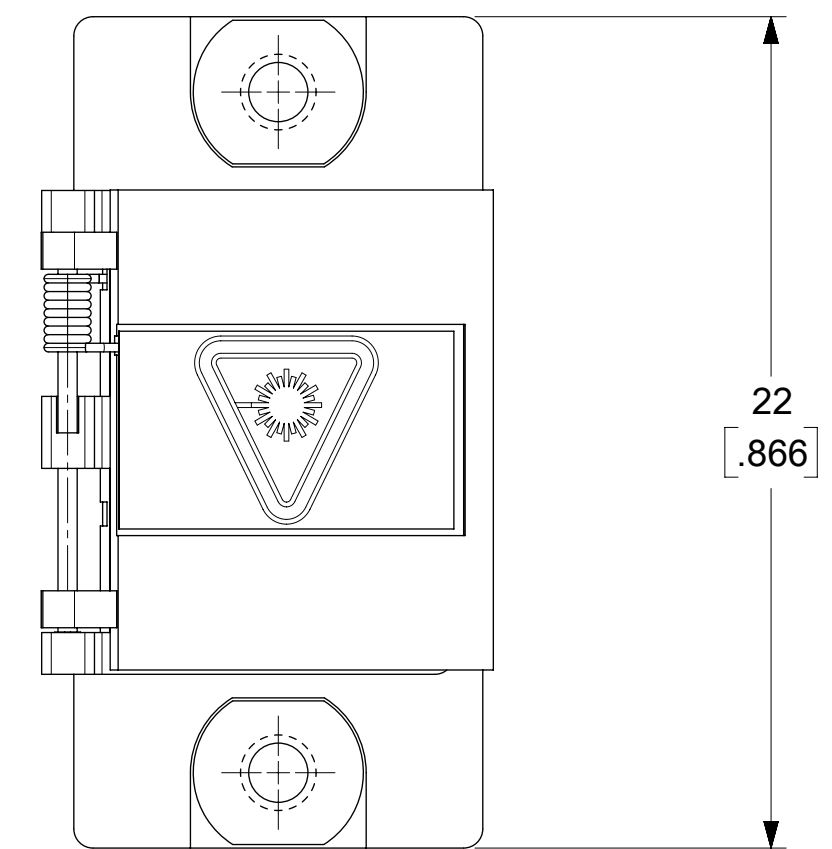
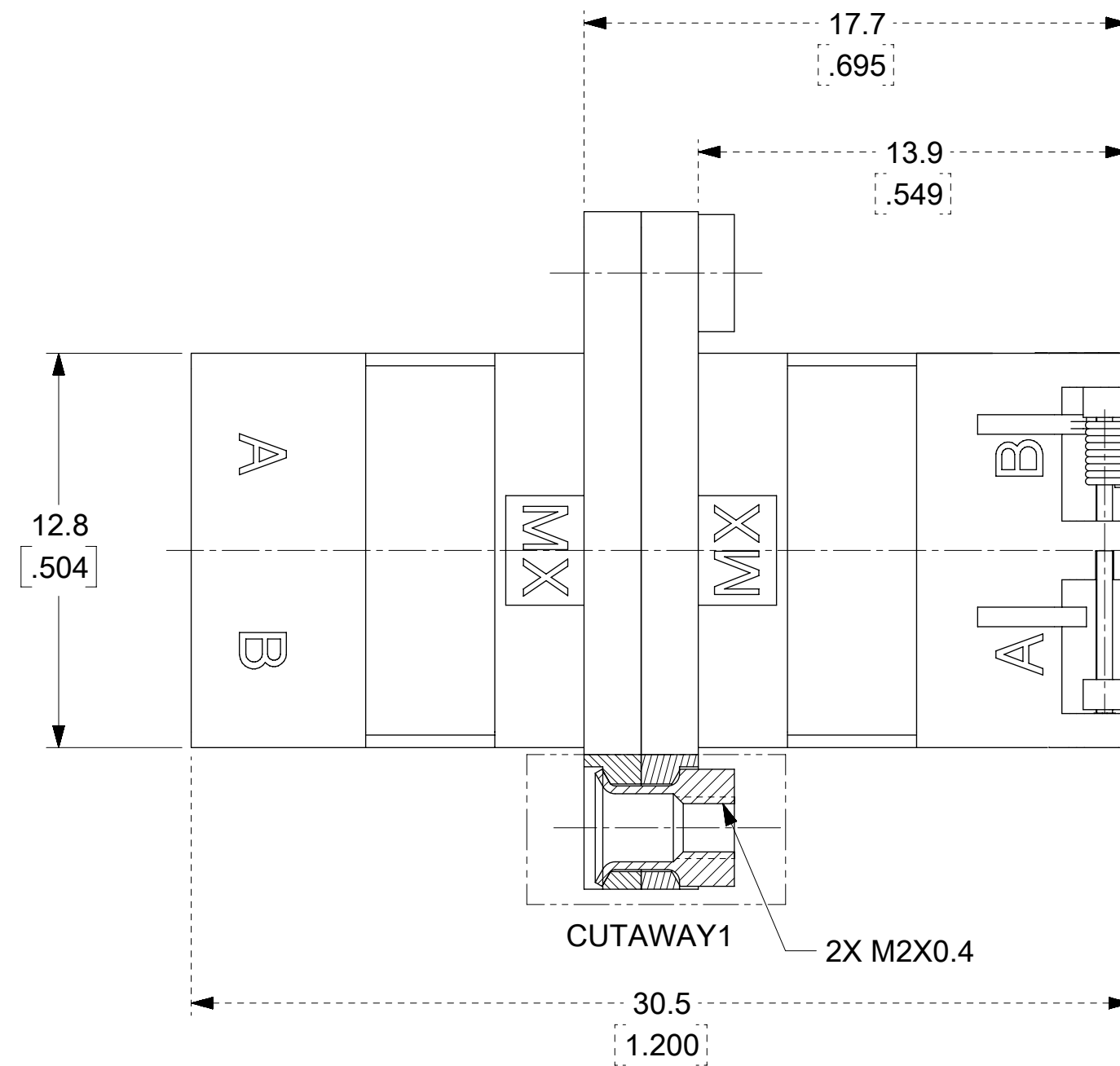
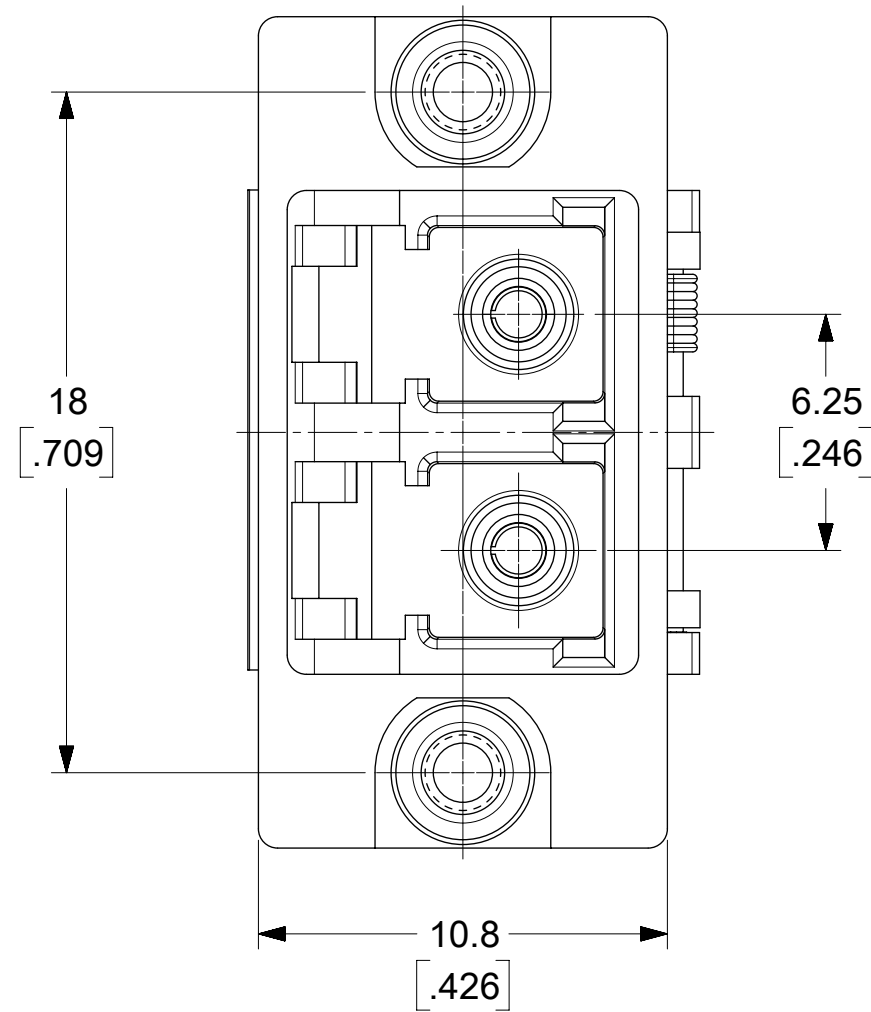
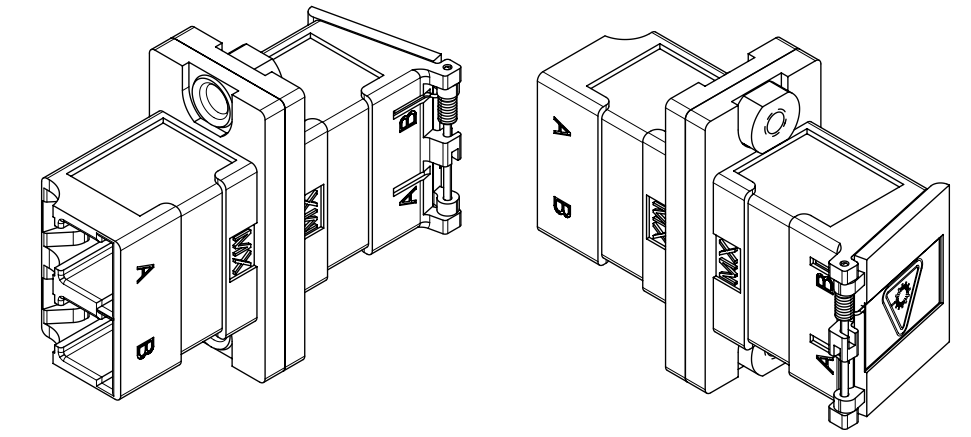
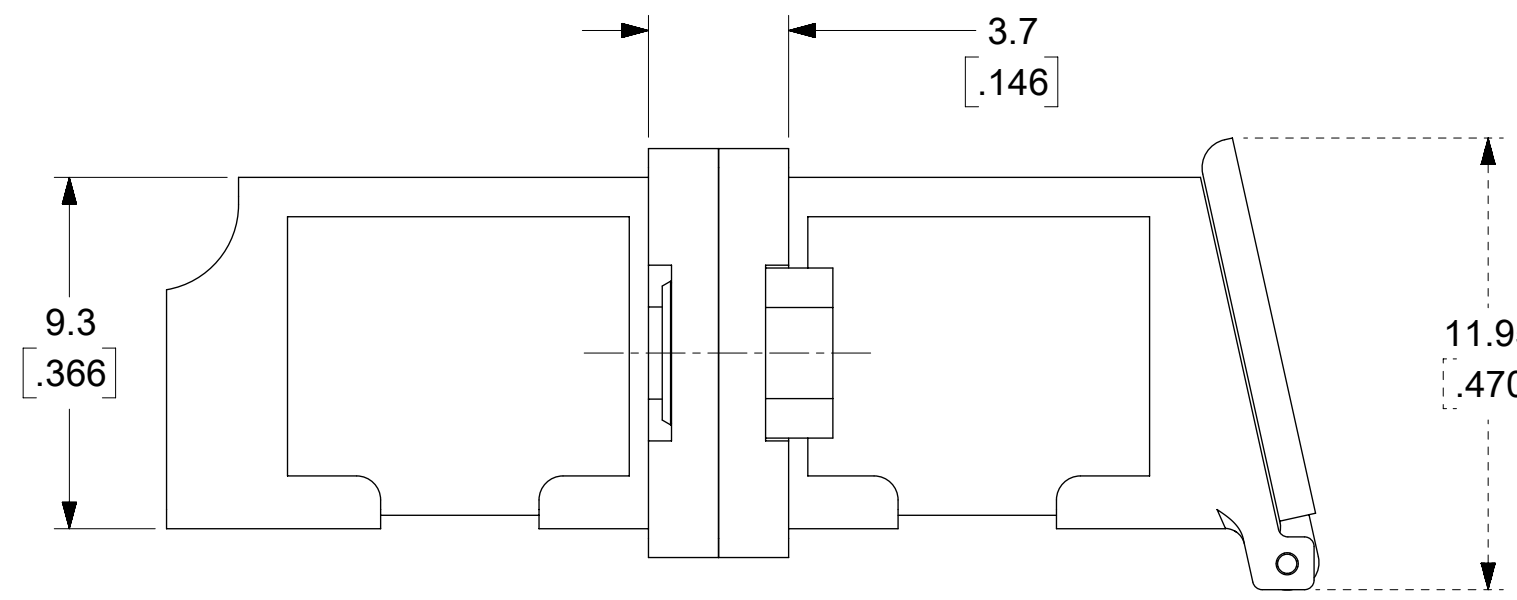


RECOMMENDED MOUNTING CUTOUT PANEL



NOTES:

1. ALL DIMENSIONS ARE FOR REFERENCE ONLY.
2. DUST CAP NOT SHOWN
3. SPLIT SLEEVE MATERIAL: PHOSPHOR BRONZE.
4. ADAPTERS TO BE PACKAGED IN TRAY.

THIS DRAWING CONTAINS INFORMATION THAT IS PROPRIETARY TO MOLEX ELECTRONIC TECHNOLOGIES, LLC AND SHOULD NOT BE USED WITHOUT WRITTEN PERMISSION																
SYMBOLS	DIMENSION UNITS	SCALE	CURRENT REV DESC: MIGRATED TO NX													
▽ = 0	HYBRID	5:1	molex METAL LC DUPLEX ADAPTER W/SHUTTER PHOSPHOR BRONZE SLEEVE PRODUCT CUSTOMER DRAWING													
▽ = 0	GENERAL TOLERANCES (UNLESS SPECIFIED)									EC NO: 610674 DRWN: PKUMARG 2018/01/05 CHK'D: WCHEN 2019/01/18 APPR: WCHEN 2019/01/18						
▽ = 0	ANGULAR TOL ± 0.5°									INITIAL REVISION: DRWN: SMIGO 2009/12/17 APPR: BANDREI 2010/08/19						
▽ = 0	4 PLACES ±									DOCUMENT NUMBER: SD-106127-1990 DOC TYPE: PSD DOC PART: 001 REVISION: B						
▽ = 0	3 PLACES ±		MATERIAL NUMBER: 1061271990 CUSTOMER: GENERAL MARKET SHEET NUMBER: 1 OF 1													
▽ = 0	2 PLACES ±		DRAFT WHERE APPLICABLE MUST REMAIN WITHIN DIMENSIONS THIRD ANGLE PROJECTION DRAWING: C-SIZE SERIES: 106127													
▽ = 0	1 PLACE ±															
▽ = 0	0 PLACES ±															