

LF SERIES CLASS T FUSE BLOCKS

300 V • 600 V



Description

The Littelfuse Class T fuse blocks offer many advantages such as space saving design, universal mounting holes, snap-to-release DIN rail mounts and available covers.

Features/Benefits

- Space-saving design
- Universal mounting holes for easy replacement
- One hand release from DIN rail for 30–60 A fuses
- Reinforced fuse clips are standard
- Covers available for most amperages to enhance safety

Specifications

Voltage Ratings	300 V/600 V
Ampere Ratings	0 – 600 A
Leakage Current	<0.6 mA at 600 V
Withstand Rating	200 kA RMS SYM
Flammability Rating	UL94 V-0
Approvals	UL Listed (File: E14721) CSA Certified (File: LR7316)
Environmental	RoHS Compliant, Lead (Pb) Free

Recommended Fuses

300V JLLN
600V JLLS

Web Resources

Sample requests, downloadable CAD drawings and other technical information:

littelfuse.com/lft
littelfuse.com/fuseblocks

Ordering Information (Class T 300 V)

AMP RATING	ORDERING NUMBER							TORQUE	WIRE RANGE	WIRE TYPE	BASE TEMP RATING	DIN RAIL MOUNT	COVER ORDERING NUMBER*
	BASE ORDERING NUMBER	POLES			TERMINAL SUFFIX								
		1	2	3	BOX LUG	PRESSURE PLATE	SCREW						
30	LFT30030	1	2	3	C	—	—	5.6 N-m (50 in-lbs) 2.8 N-m (25 in-lbs)	2-4 AWG 6-14 AWG	CU-AL Solid/Stranded	125°C	•	LFT30030FBC
60	LFT30060	1	2	3	C	—	—	5.6 N-m (50 in-lbs) 2.8 N-m (25 in-lbs)	2-4 AWG 6-14 AWG		125°C	•	LFT30060FBC
100	LFT30100	1	—	3	CS	—	—	13.6 N-m (120 in-lbs) 4.5 N-m (40 in-lbs)	2/0-6 AWG 8 AWG		130°C	—	LFT30100FBC
200	LFT30200	1	—	3	CS	—	—	4.0 N-m (35 in-lbs)	10-14 AWG		130°C	—	—
400	LFT30400	1	—	3	CS	—	—	31.1 N-m (275 in-lbs)	250 kcmil-6		130°C	—	—
600	LFT30600	1	—	3	CS	—	—	(2) 31.1 N-m (275 in-lbs) (2) 42.4 N-m (375 in-lbs)	250 kcmil-6 500 kcmil-6		130°C	—	—

Ordering Information (Class T 600 V)

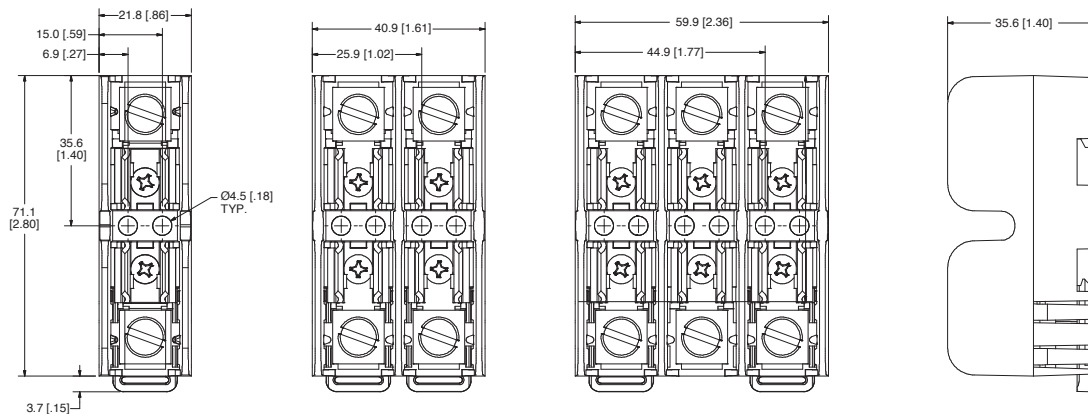
AMP RATING	ORDERING NUMBER							TORQUE	WIRE RANGE	WIRE TYPE	BASE TEMP RATING	DIN RAIL MOUNT	COVER ORDERING NUMBER*
	BASE ORDERING NUMBER	POLES			TERMINAL SUFFIX								
		1	2	3	BOX LUG	PRESSURE PLATE	SCREW						
30	LFT60030	1	2	3	C	P	S	5.6 N-m (50 in-lbs) 2.8 N-m (25 in-lbs)	2-4 AWG 6-14 AWG	[†] see note	125°C	•	LFT60030FBC
60	LFT60060	1	2	3	C	—	—	5.6 N-m (50 in-lbs) 2.8 N-m (25 in-lbs)	2-4 AWG 6-14 AWG	CU-AL Solid/Stranded	125°C	•	LFT60060FBC
100	LFT60100	1	—	3	CS	—	—	13.6 N-m (120 in-lbs) 4.5 N-m (40 in-lbs)	2/0-6 AWG 8 AWG		130°C	—	LT60100FBC
200	LFT60200	1	—	3	CS	—	—	4.0 N-m (35 in-lbs)	10-14 AWG		130°C	—	LT60200FBC
400	LFT60400	1	—	3	CS	—	—	31.1 N-m (275 in-lbs)	250 kcmil-6		130°C	—	LT60400FBC
600	LFT60600	1	—	3	CS	—	—	(2) 31.1 N-m (275 in-lbs) (2) 42.4 N-m (375 in-lbs)	250 kcmil-6 500 kcmil-6		130°C	—	LT60600FBC

* Covers sold individually. One cover needed for each pole.
[†] Wire Type for Pressure Plate and Screw Terminal is CU only

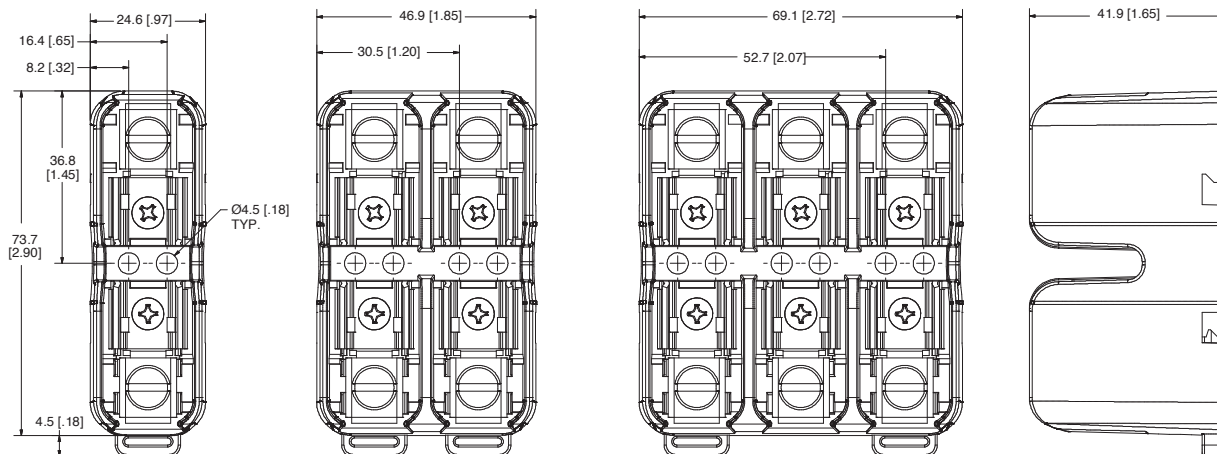
LF SERIES CLASS T FUSE BLOCKS

Dimensions mm (inches)

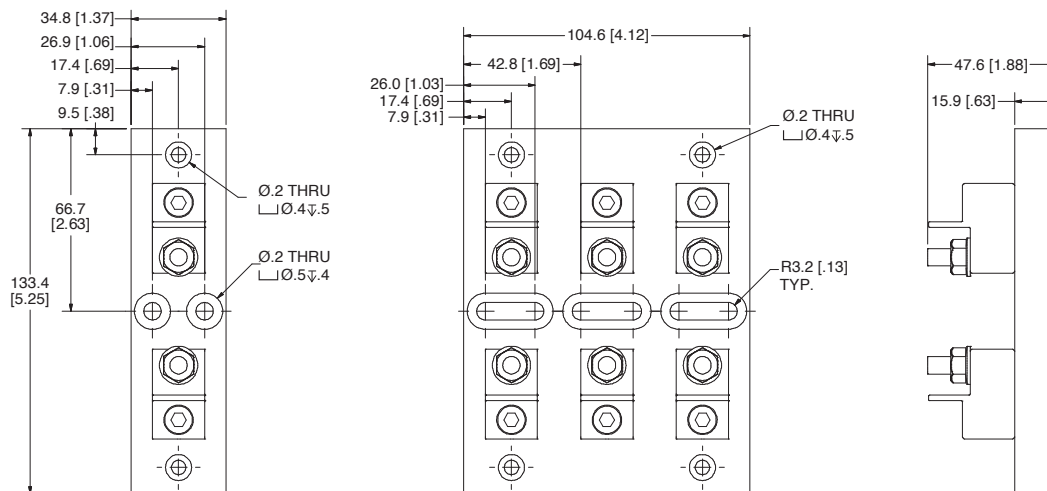
300 V 30 A



300 V 60 A



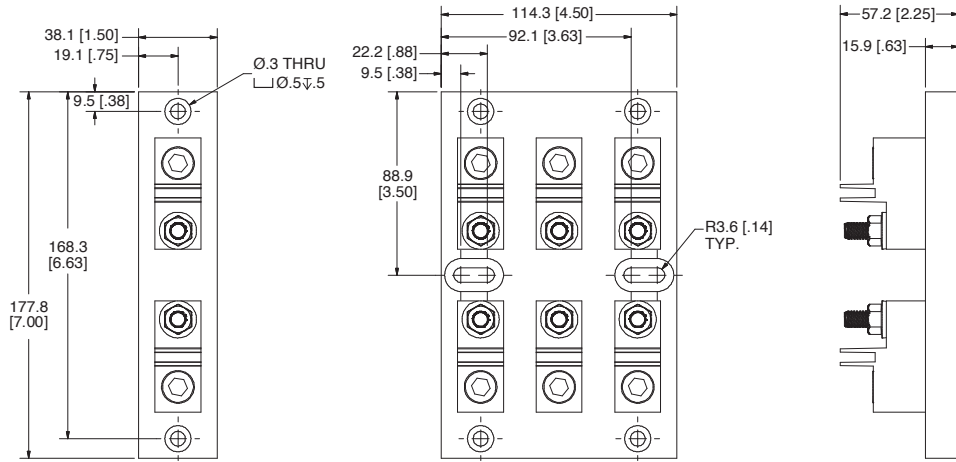
300 V 100 A



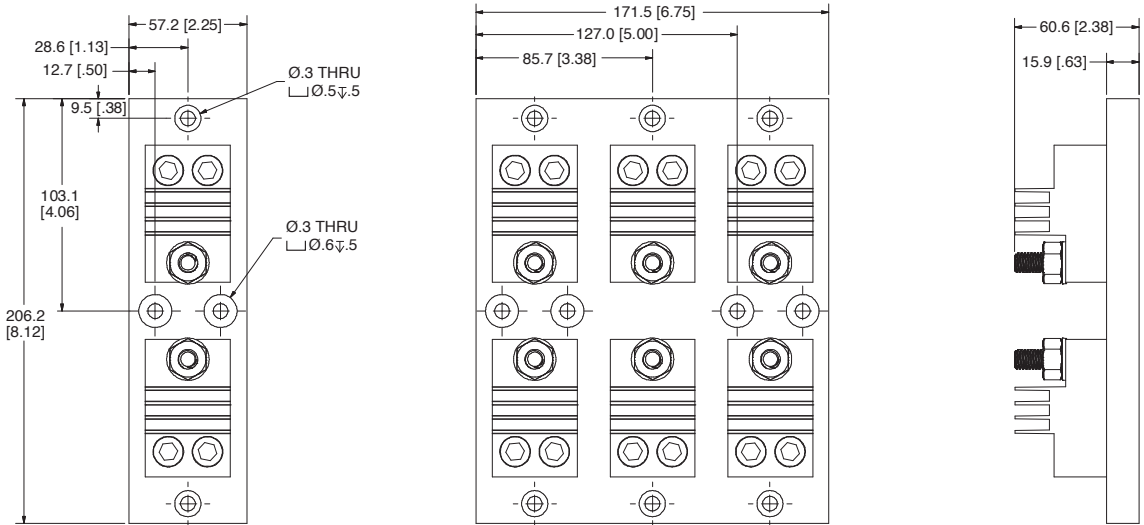
LF SERIES CLASS T FUSE BLOCKS

Dimensions mm (inches)

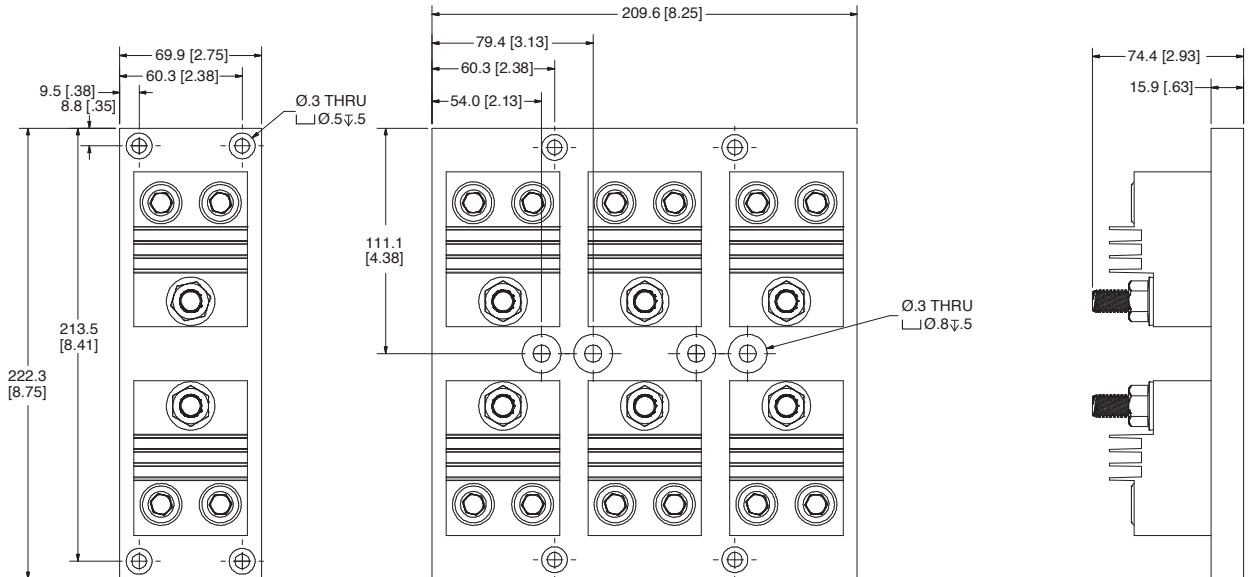
300 V 200 A



300 V 400 A



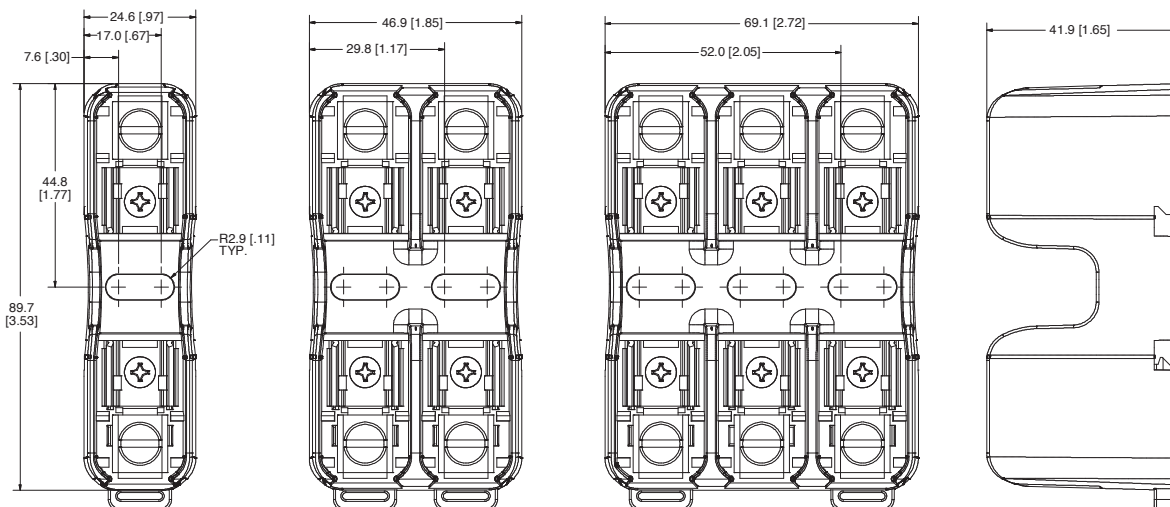
300 V 600 A



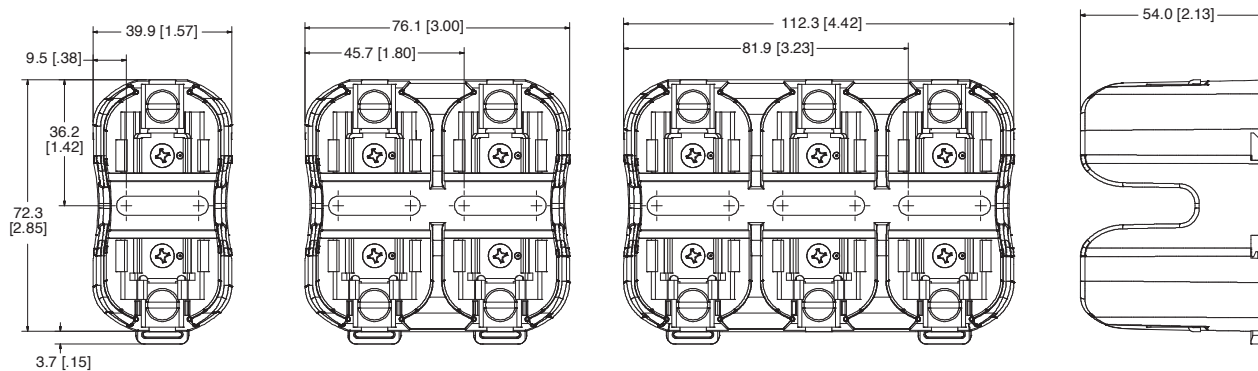
LF SERIES CLASS T FUSE BLOCKS

Dimensions mm (inches)

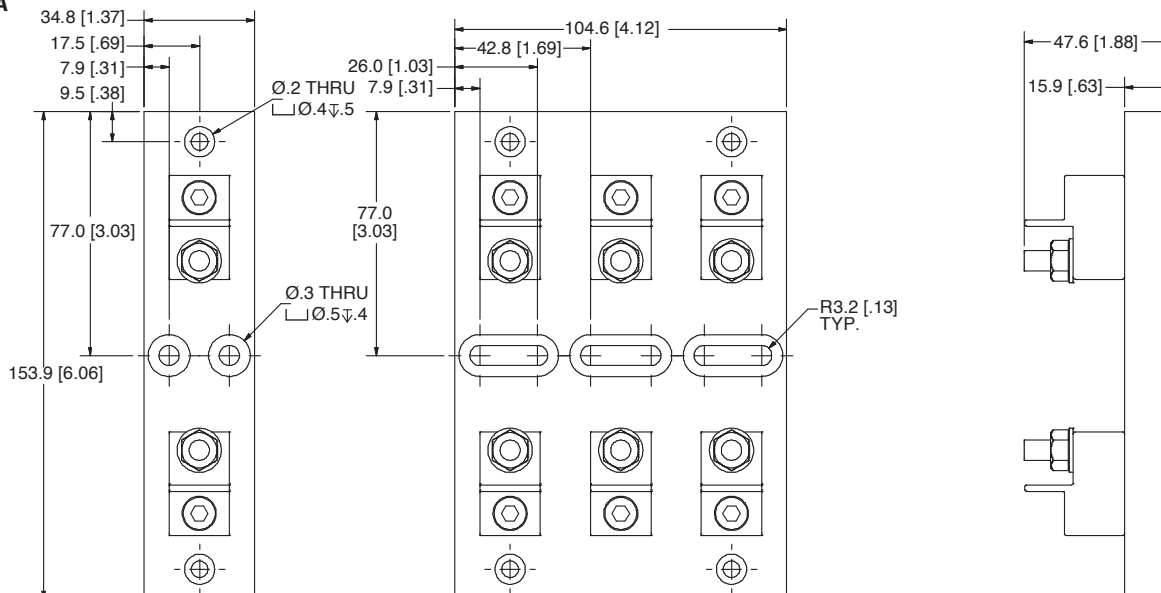
600 V 30 A



600 V 60 A



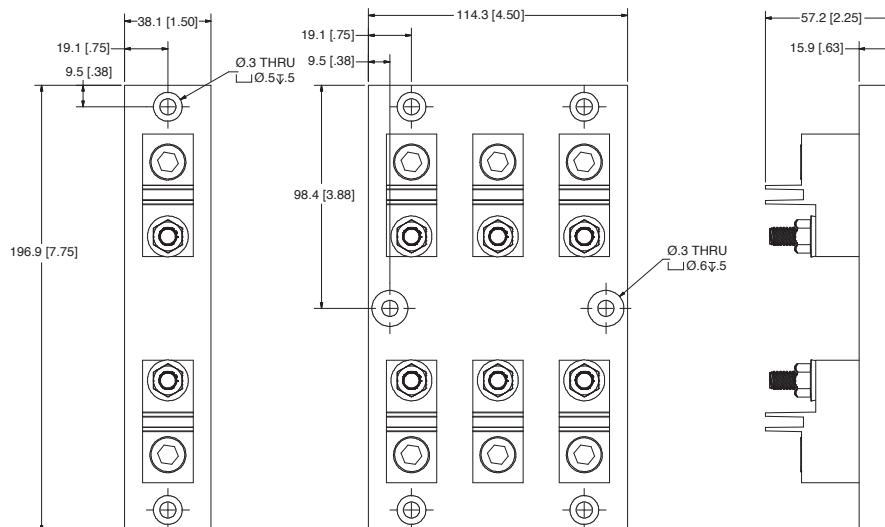
600 V 100 A



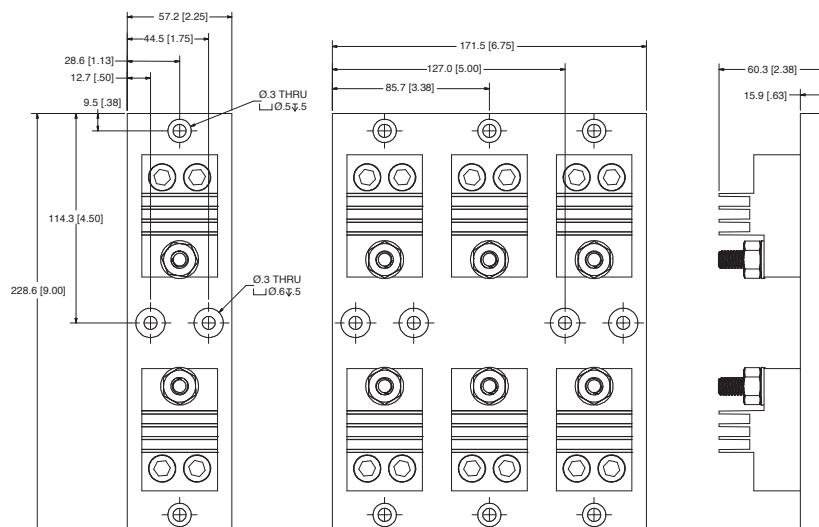
LF SERIES CLASS T FUSE BLOCKS

Dimensions mm (inches)

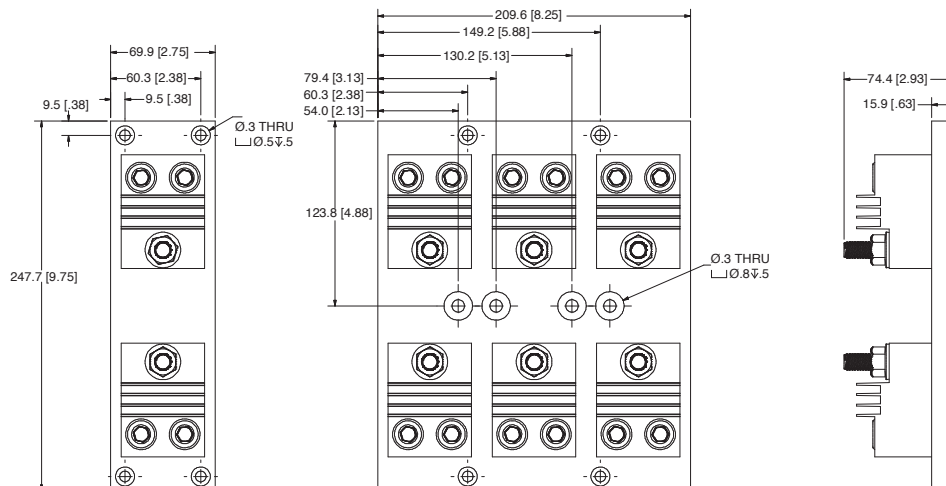
600 V 200 A



600 V 400 A



600 V 600 A



Disclaimer Notice – Information furnished is believed to be accurate and reliable. However, users should independently evaluate the suitability of and test each product selected for their own applications. Littelfuse products are not designed for, and may not be used in, all applications. Read complete Disclaimer Notice at www.littelfuse.com/product-disclaimer.