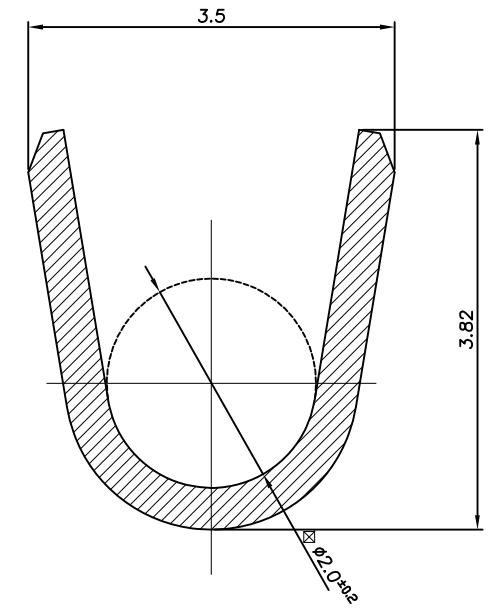
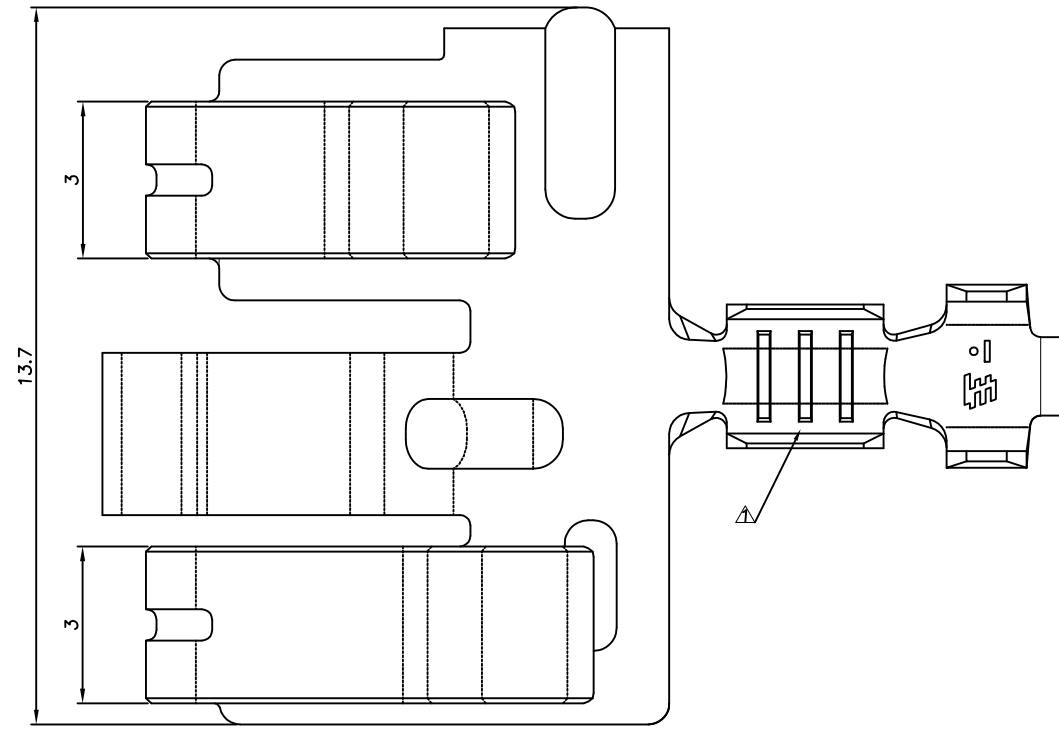
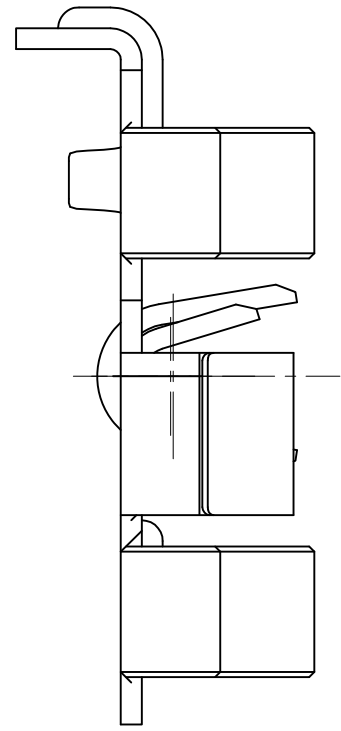
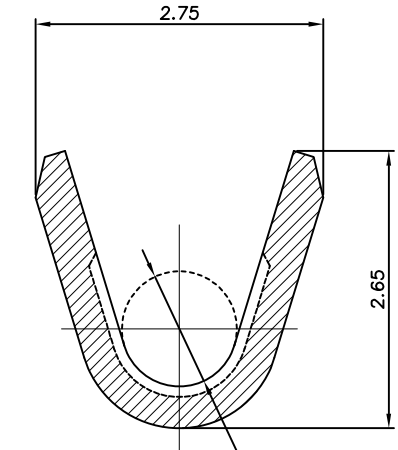


THIS DRAWING IS UNPUBLISHED. RELEASED FOR PUBLICATION  
 © COPYRIGHT BY TYCO ELECTRONICS CORPORATION. ALL RIGHTS RESERVED.

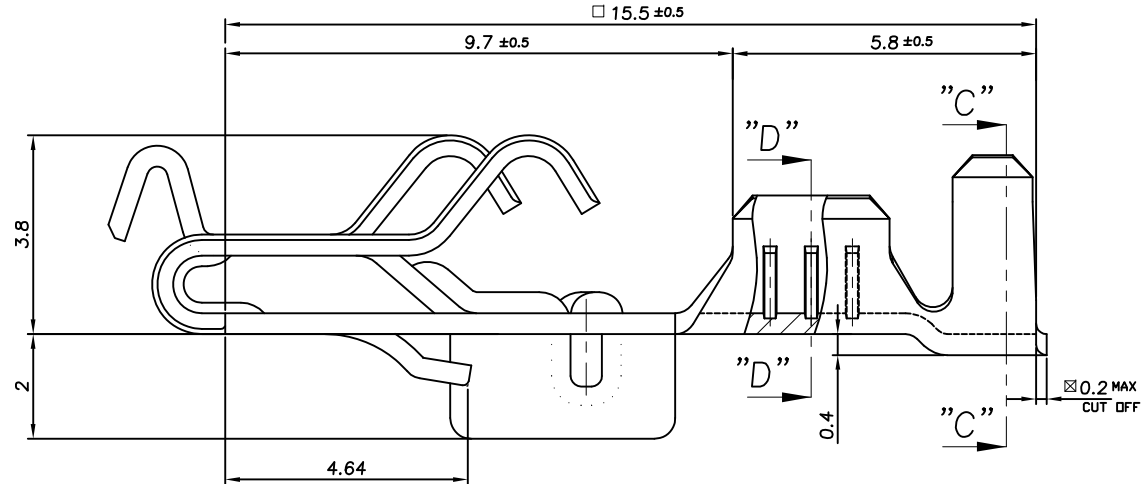
LOC		DIST		REVISIONS				DATE	DWN	APVD
DS	-	P	LTR	DESCRIPTION						
		A		RELEASED			12.JAN.'10	IS	HG	



SECTION "C-C"  
Scale 20/1



SECTION "D-D"  
Scale 20/1



\* NOTES  
 △ THREE SERRATIONS CENTERED IN WIRE BARREL.  
 2 WIRE SIZE EQUIV AVS 0.5~ AVS 0.85 Sqmm.

PRE-TINNED	Cu Alloy	0.40THK.	2005164-1
FINISH	MATERIAL		PART NUMBER

<small>THIS DRAWING IS A CONTROLLED DOCUMENT FOR TYCO ELECTRONICS CORPORATION. IT IS SUBJECT TO CHANGE AND THE CONTROLLING ENGINEERING ORGANIZATION SHOULD BE CONTACTED FOR THE LATEST REVISION.</small>		DWN IS WOO	AMP KOREA, kyungsan, korea	
DIMENSIONS: MM 		CHK JW JUNG	NAME	
TOLERANCES UNLESS OTHERWISE SPECIFIED: 0-PLG ± 1-PLG ± 2-PLG ± 3-PLG ± 4-PLG ± ANGLES ± 2° FINISH -		APVD HG CHO	GROUND TML FOR T-20 BULB ASS'Y	
MATERIAL		PRODUCT SPEC	SIZE	RESTRICTED TO
		APPLICATION SPEC	A200779C=2005164	-
		WEIGHT	SCALE 10/1	SHEET 1 OF 1 REV A
		CUSTOMER DRAWING		