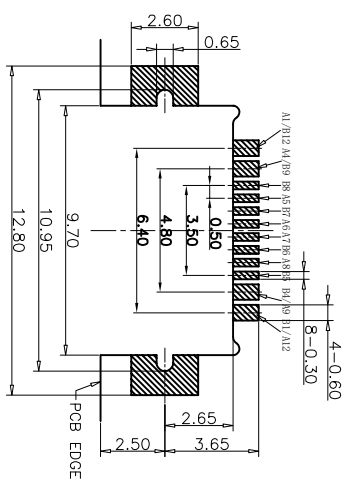
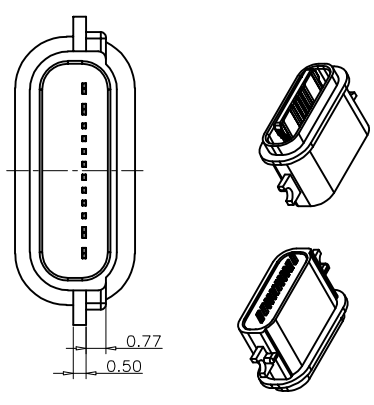
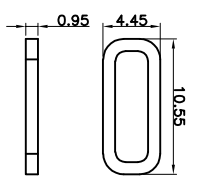
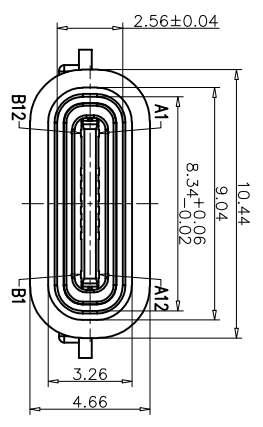
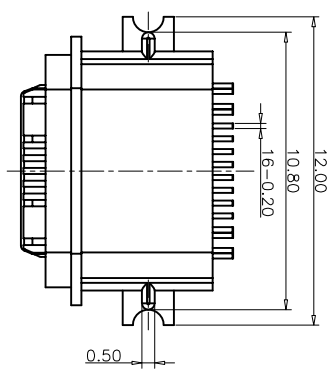
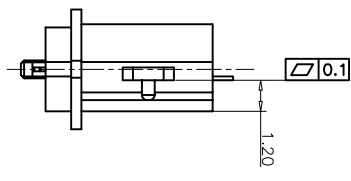
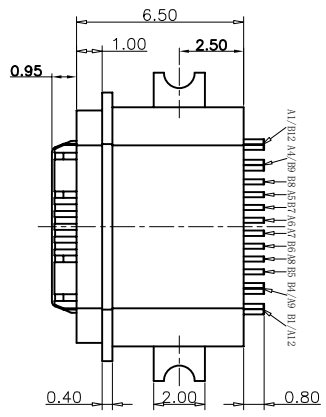


REV.	ECN NO.	DESCRIPTION	DATE	DESIGN



RECOMMEND P.C.B LAYOUT  
TOLERANCE UNSPECIFIED ±0.05mm

- NOTES:  
SPECIFICATION:  
1 CURRENT RATING: 3.0 A  
2 VOLTAGE RATING: 3.0 V  
3 VBUS & GND PINS AND OTHER PINS: 40mD/PIN MAX SHIELD : 50mQ/MAX  
4 IFCOR MAX: CHANGE OF ALL PINS: 100m  
4 INSULATION RESISTANCE: 100MO MIN  
5 DIELECTRIC WITHSTAND VOLTAGE: AC 100V FOR 1MINUTE  
6 INSERTION FORCE: 0.5~2.0kgf  
7 UNMATING FORCE: 0.8~2.0kgf  
8 DURABILITY : 10000 CYCLES  
9 OPERATING TEMPERATURE: -35°C~+85°C  
10 THE PEAK TEMPERATURE ON THE BOARD SHALL BE MAINTAINED FOR 10 SECONDS AT 210-230°C  
11 WATERPROOF: IP-X7



防水圈图示

USB TYPE C PIN ASSIGNMENTS

PIN NUMBER	SIGNAL NAME	PIN NUMBER	SIGNAL NAME
A1	GND	B12	GND
A4	VBUS	B9	VBUS
A5	CC1	B8	SN12
A6	DP1	B7	DN2
A7	DM1	B6	DP2
A8	SN11	B5	CC2
A9	VBUS	B4	VBUS
A12	GND	B1	GND

TABLE:

NO	PART	QTY	Material
1	SHELL	1	ZINC ALLOG,N130U*Min PLATED
2	CONTACT	16	C7025,TIN80U*/Au3u*/Ni30u*PLATED
3	MID PLATE	1	SUS301,NO PLATING
4	HOUSING	1	LCP(E130) UL94 V-0 BLACK
5	WATERPROOF RING	1	SILICONE(SI/60-65A) UL94 V-0 BLACK

TOLERANCE		NAME (INTENDED USE)	
X.X ±0.30	X.X' ±10'	CUSTOMER DRAWING	
XX ±0.20	X.X' ±8'	PART NO.	
XXX ±0.10	.XX' ±5'	F723-0107C161F26512-02	
UNITS	mm	DESIGN:	ZXM
MATERILA	---	CHED:	---
FINISH	---	APPD:	---
DRAWNG NO.		TITLE:	
F723-0107C161F26512-02		TYPE C 16P防水母座沉板L2锌合金	
SCALE		SHEET	
1:1		1/2	
REV.		REV.	
A		A	

**F7YOU** 广东富盈兴业精密科技有限公司  
Guangdong F7YOU Precision Electronic Technology Co.,Ltd.