
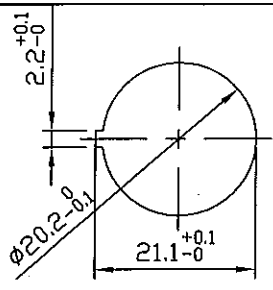
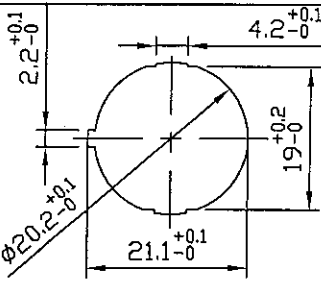
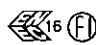
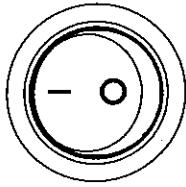
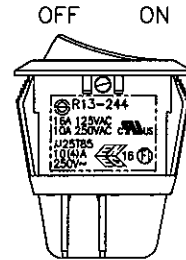
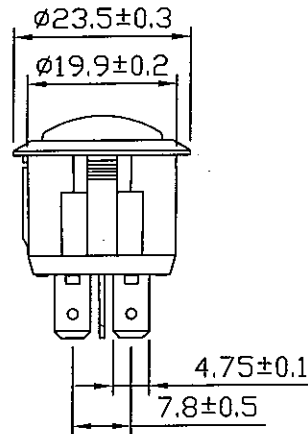
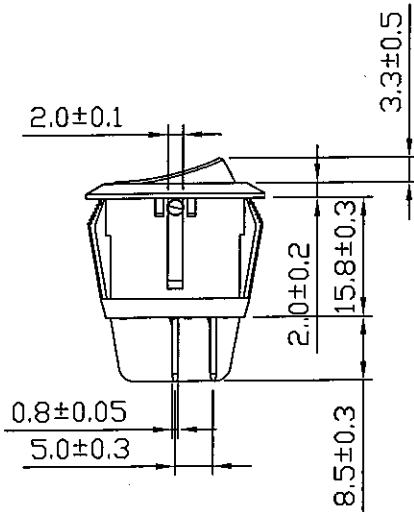
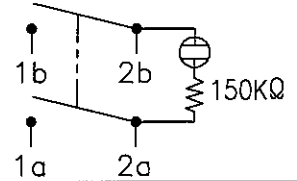


Rating	16A 125VAC, 10A 250VAC, T85 C 	<b>Mounting Hole</b> 	
	10(4)A 250VAC, 25T85 		
Contact Resistance	50m ohm Max.		
Insulation Resistance	DC 500V 100M ohm Min.		
Dielectric Strength	AC 1500V 1 minute		
Operation Temperature	-25°C~85°C		
Switch Function	4P DPST ON-OFF(Illuminated)		

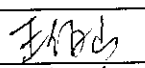
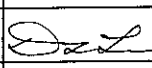


Frame: Black, Nylon 66  
 Actuator: Blue, PC  
 Printed: White, hot stamping

**Circuit Diagram**



C8\R13\R13-244B-02(1824356)

						△	
						△	
Date	Name	Description				NO	
Drawn	Checked	Approved	SCI BOM NO	1824356	Model Name	ROCKER SWITCH	
曹盈芳			Customer No.		Model No.	R13-244B-02	REV.
11/18/08	11/18/08	11/18/08	Unit	mm	SHIN CHIN INDUSTRIAL CO., LTD.		0