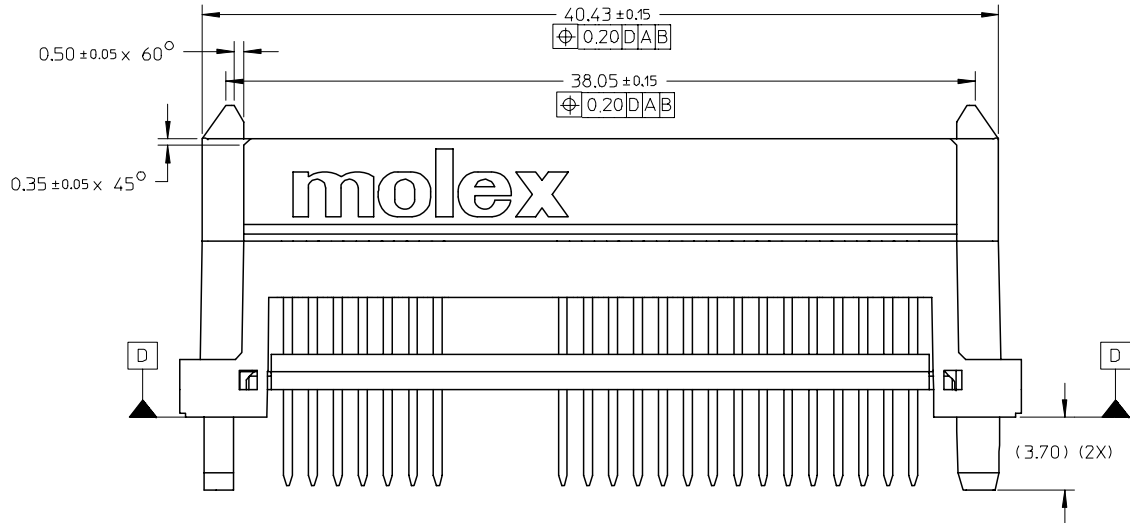
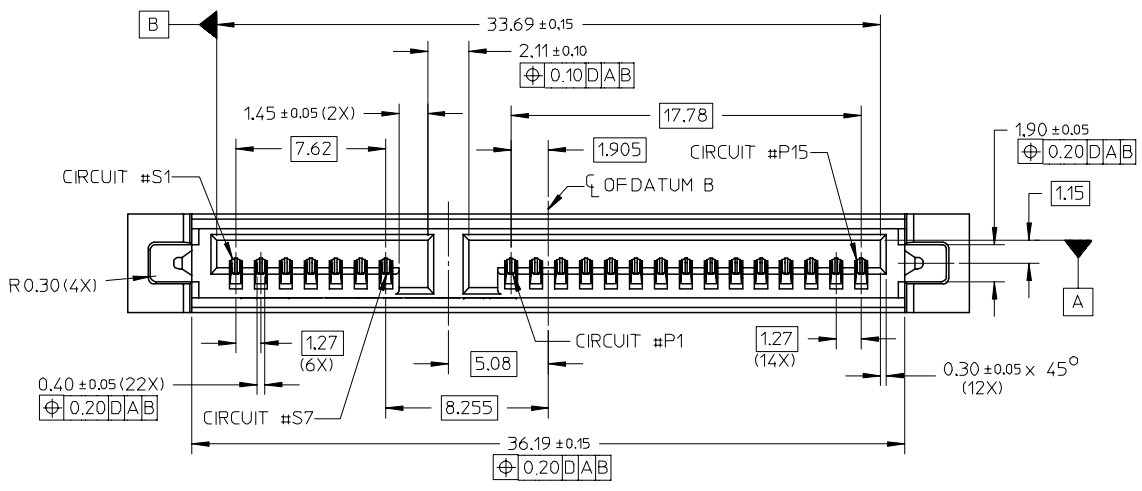
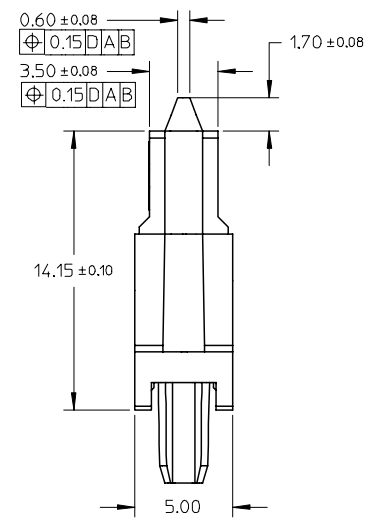


10 9 8 7 6 5 4 3 2 1



NOTES:

1. MATERIAL: LCP, GLASS FILLED, UL 94V-0, COLOR: BLACK
TERMINAL: COPPER ALLOY
2. PLATING
CONTACT: 0.76µm MIN. SELECTIVE GOLD OVER 1.27µm MIN. NICKEL
UNDERPLATE
SOLDERTAIL: 2.54µm MIN. TIN OVER 1.27µm MIN. NICKEL UNDERPLATE
3. MOLEX LOGO LOCATED APPROXIMATELY AS SHOWN
4. MAXIMUM WARPAGE OF 0.13 mm OVER THE LENGTH OF THE CONNECTOR
IN ANY DIRECTION BEFORE AND AFTER EXPOSURE TO MAX. 260°C
FOR 10 SECONDS
5. PRODUCT SPECIFICATION 87678-029 APPLIES
6. PACKAGING
30 CONNECTORS PER TRAY



OBS TIN/LEAD P/N EC NO: S2006-0984 DRWN:MLONG CHKD:CGTAN APPR:KCLING	QUALITY SYMBOLS ▽=0 △=0	GENERAL TOLERANCES (UNLESS SPECIFIED)		DIMENSION STYLE MM ONLY		SCALE NTS	DESIGN UNITS METRIC	THIRD ANGLE PROJECTION		
			mm	INCH	DRAWN BY DKOH	DATE 2003/03/20	SERIAL ATA BACKPLANE EXT. HT., RECEPT., T/H			
		4 PLACES	± ---	± ---	CHECKED BY KCLING	DATE 2003/03/28				
		3 PLACES	± ---	± ---	APPROVED BY SKTOH	DATE 2003/03/31	MOLEX INCORPORATED			
2 PLACES	± 0.20	± ---	MATERIAL NO. 87678-1001		DOCUMENT NO. SD-87678-023		SHEET NO. 1 OF 4			
1 PLACE	± ---	± ---	ANGULAR ± 3°		SIZE A3		THIS DRAWING CONTAINS INFORMATION THAT IS PROPRIETARY TO MOLEX INCORPORATED AND SHOULD NOT BE USED WITHOUT WRITTEN PERMISSION			
DRAFT WHERE APPLICABLE MUST REMAIN WITHIN DIMENSIONS										

9 8 7 6 5 4 3 2 1

10 9 8 7 6 5 4 3 2 1

F

F

E

E

D

D

C

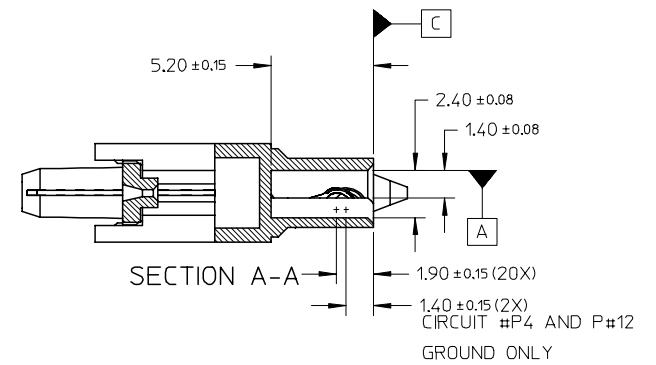
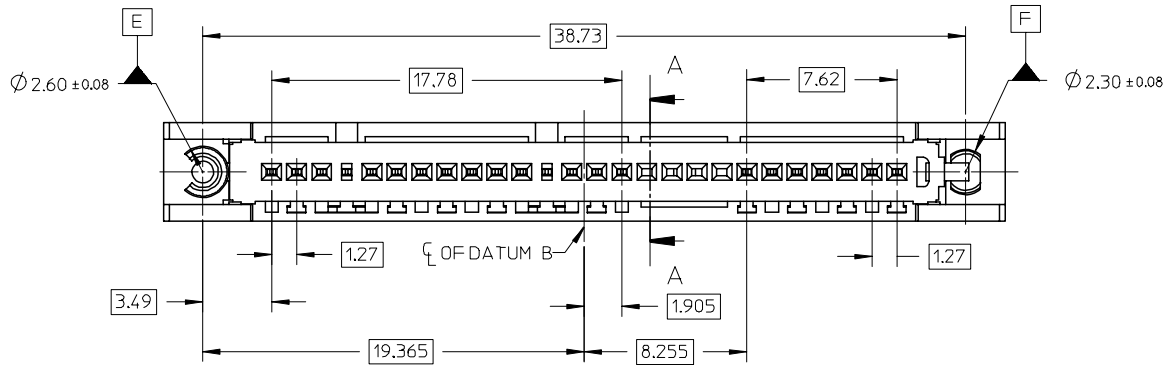
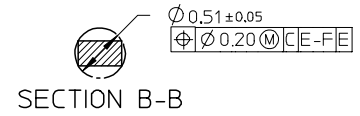
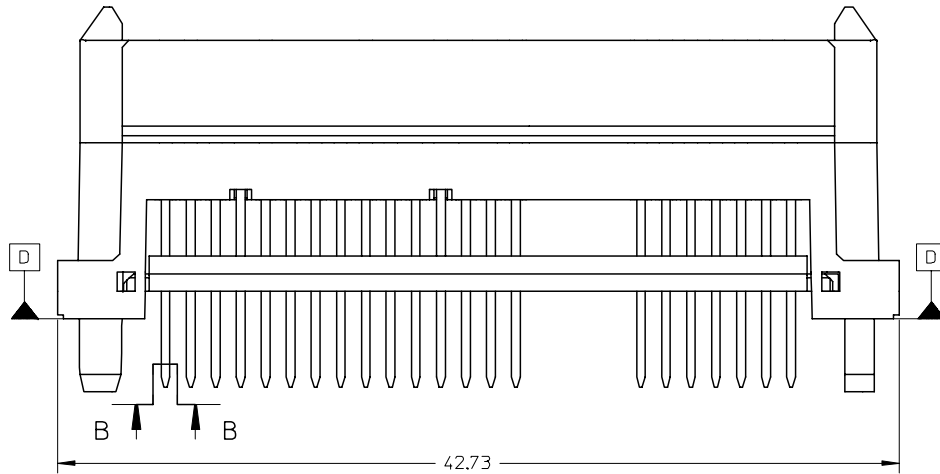
C

B

B

A

A



OBS TIN/LEAD P/N EC NO: S2006-0984 DRWN:MLONG CHKD:CGTAN APPR:KCLING	2006/04/04 2006/04/04 2006/04/04 2006/04/04	DESCRIPTION REV	QUALITY SYMBOLS ▽=0 ▽C=0	GENERAL TOLERANCES (UNLESS SPECIFIED)	DIMENSION STYLE MM ONLY	SCALE NTS	DESIGN UNITS METRIC	THIRD ANGLE PROJECTION
				mm INCH	DRAWN BY DKOH	DATE 2003/03/20	TITLE SERIAL ATA BACKPLANE EXT. HT., RECEPT., T/H	
				4 PLACES ± --- ± --- 3 PLACES ± --- ± --- 2 PLACES ± 0.20 ± --- 1 PLACE ± --- ± ---	CHECKED BY KCLING	DATE 2003/03/28		
				ANGULAR ± 3 °	APPROVED BY SKTOH	DATE 2003/03/31	MATERIAL NO. 87678-1001	DOCUMENT NO. SD-87678-023
			DRAFT WHERE APPLICABLE MUST REMAIN WITHIN DIMENSIONS	SIZE A3	THIS DRAWING CONTAINS INFORMATION THAT IS PROPRIETARY TO MOLEX INCORPORATED AND SHOULD NOT BE USED WITHOUT WRITTEN PERMISSION			

9 8 7 6 5 4 3 2 1

10 9 8 7 6 5 4 3 2 1

F F

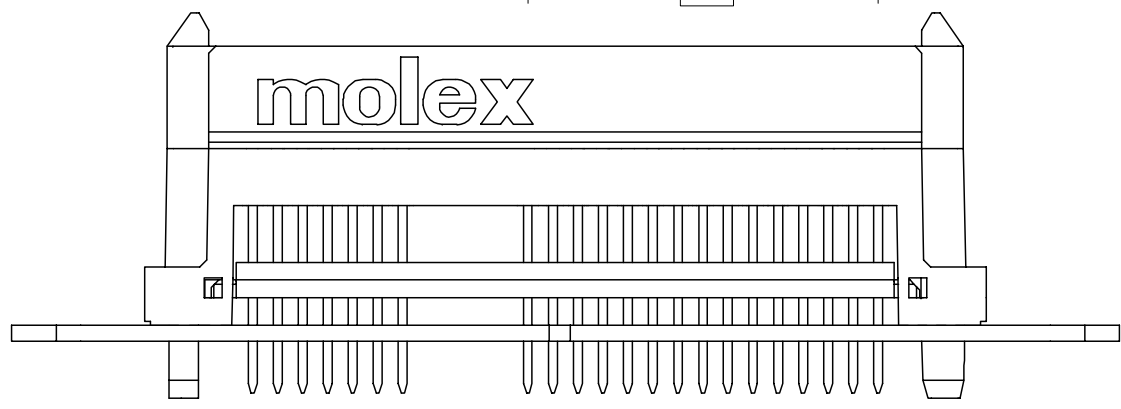
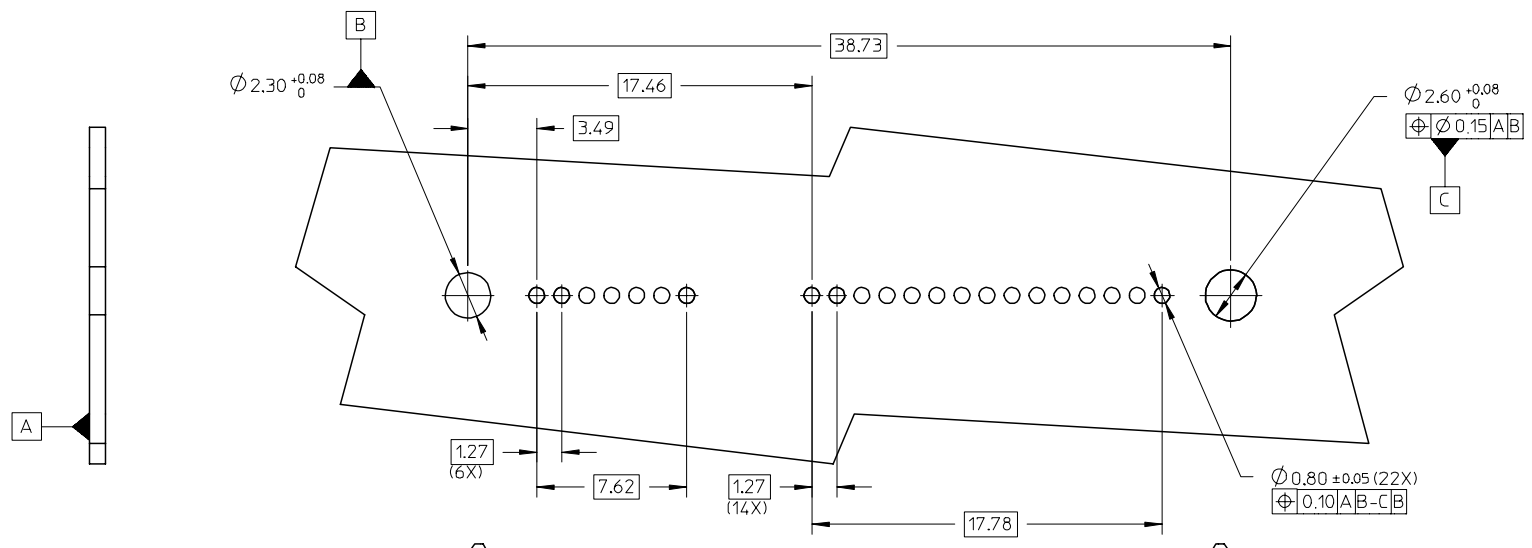
E E

D D

C C

B B

A A



PCB THICKNESS: 0.80 mm - 2.50 mm
RECOMMENDED PCB LAYOUT

OBS TIN/LEAD P/N EC NO: S2006-0984 DRWN:MLONG CHKD:CGTAN APPR:KCLING	2006/04/04 2006/04/04 2006/04/04 2006/04/04	QUALITY SYMBOLS ▽=0 ▽=0	GENERAL TOLERANCES (UNLESS SPECIFIED)		DIMENSION STYLE MM ONLY		SCALE NTS	DESIGN UNITS METRIC	THIRD ANGLE PROJECTION			
			4 PLACES ± --- ± ---	3 PLACES ± --- ± ---	2 PLACES ± 0.20 ± ---	1 PLACE ± --- ± ---	ANGULAR ± 3 °	DRAWN BY DKOH	DATE 2003/03/20	TITLE SERIAL ATA BACKPLANE EXT. HT., RECEPT., T/H		
			DRAFT WHERE APPLICABLE MUST REMAIN WITHIN DIMENSIONS			MATERIAL NO. 87678-1001		DOCUMENT NO. SD-87678-023		SHEET NO. 3 OF 4		
			SIZE A3			THIS DRAWING CONTAINS INFORMATION THAT IS PROPRIETARY TO MOLEX INCORPORATED AND SHOULD NOT BE USED WITHOUT WRITTEN PERMISSION						

9 8 7 6 5 4 3 2 1

10 9 8 7 6 5 4 3 2 1

F

F

E

E

D

D

C

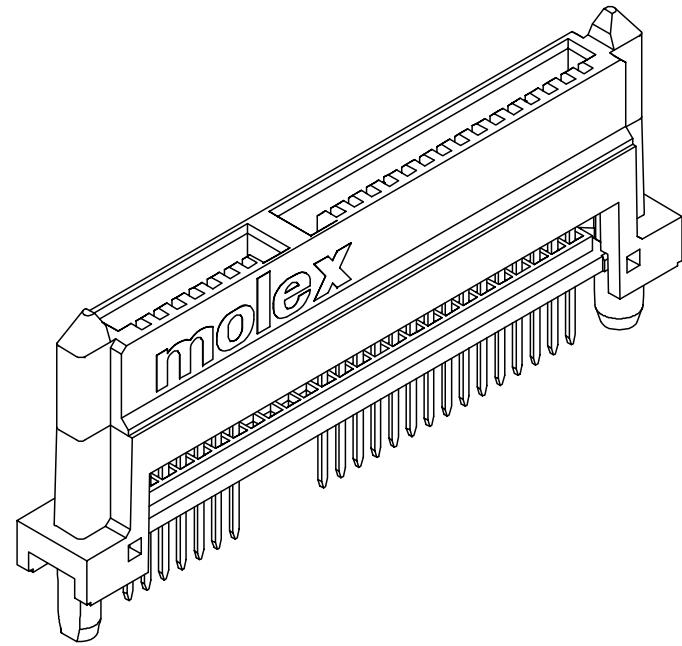
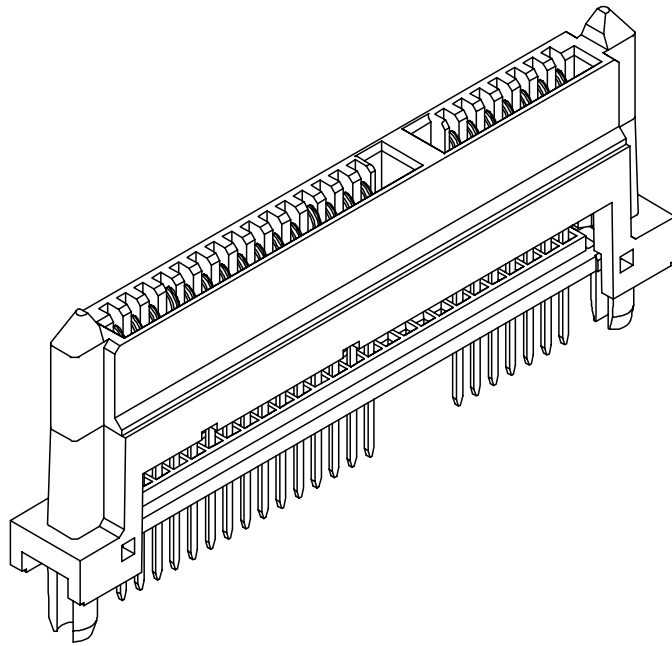
C

B

B

A

A



OBS TIN/LEAD P/N EC NO: S2006-0984 DRWN:MLONG CHKD:CGTAN APPR:KCLING	2006/04/04	
	2006/04/04	
	2006/04/04	
	2006/04/04	
REV	DESCRIPTION	

QUALITY SYMBOLS	$\nabla = 0$
	$\triangle = 0$

GENERAL TOLERANCES (UNLESS SPECIFIED)	
	mm INCH
4 PLACES	\pm --- \pm ---
3 PLACES	\pm --- \pm ---
2 PLACES	± 0.20 \pm ---
1 PLACE	\pm --- \pm ---
ANGULAR $\pm 3^\circ$	
DRAFT WHERE APPLICABLE MUST REMAIN WITHIN DIMENSIONS	

DIMENSION STYLE MM ONLY	
DRAWN BY	DATE
DKOH	2003/03/20
CHECKED BY	DATE
KCLING	2003/03/28
APPROVED BY	DATE
SKTOH	2003/03/31
MATERIAL NO.	
87678-1001	
SIZE	
A3	

SCALE NTS	DESIGN UNITS METRIC	THIRD ANGLE PROJECTION
TITLE SERIAL ATA BACKPLANE EXT. HT., RECEPT., T/H		
MOLEX INCORPORATED		
DOCUMENT NO. SD-87678-023	SHEET NO. 4 OF 4	
THIS DRAWING CONTAINS INFORMATION THAT IS PROPRIETARY TO MOLEX INCORPORATED AND SHOULD NOT BE USED WITHOUT WRITTEN PERMISSION		

9 8 7 6 5 4 3 2 1