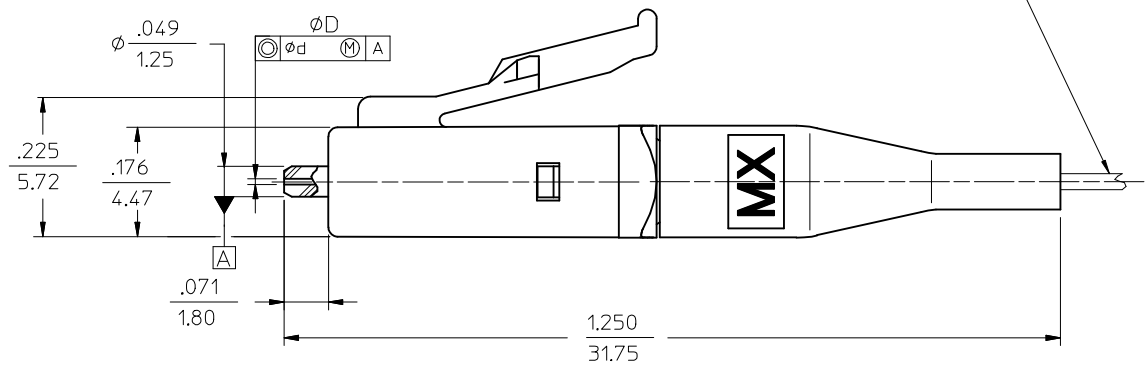
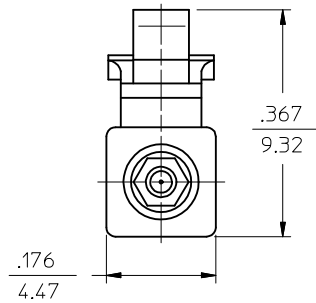


CONNECTOR P/N	øD (µm)	ød (µm)	HOUSING COLOR	BOOT COLOR	CABLE TYPE
106024-2500	125.50 ^{+0.50} / ₀	1.0	BLUE		SINGLE MODE
106024-3550*	127.00 ^{+3.00} / ₀	3.0	BEIGE	WHITE	MULTIMODE
106024-3500				BLUE	
106024-3530	125.00 ^{+0.50} / ₀	1.0	BLUE	WHITE	SINGLE MODE
106024-4500				BLUE	
106024-5500				WHITE	
106024-5540*	126.00 ^{+1.00} / ₀	1.0	BLUE	WHITE	SINGLE MODE
106024-5590				BLUE	
106024-6500	125.25 ^{+0.50} / ₀	0.5	BLUE	WHITE	SINGLE MODE
106090-2700	125.50 ^{+0.50} / ₀				
106090-4500	125.00 ^{+0.50} / ₀				
106090-6500	125.25 ^{+0.50} / ₀				
106090-4510	125.2-125.5				
106090-4520	125.51-125.9	1.4	BLUE	WHITE	SINGLE MODE
106099-0500	81.0±0.5				
106024-2513	125.50 ^{+0.50} / ₀	0.5	BEIGE	YELLOW	
106024-5530	126.00 ^{+1.00} / ₀	1.0	BEIGE	WHITE	

(DUST CAP NOT SHOWN)



NOTE:

- 1. ALL DIMENSIONS ARE GIVEN IN INCHES/MM, EXCEPT OTHERWISE SPECIFIED.
- *2. P/N 106024-3310 AND 106024-5540 ARE BULK PACKED.

ENTER DESCRIPTION EC NO: MF2017-0132 DRW: M/HANUMAPPARE 2016/11/03 CHKD: APPR: LGUMIN 2016/11/16	QUALITY SYMBOLS	GENERAL TOLERANCES (UNLESS SPECIFIED)	DIMENSION STYLE	SCALE	DESIGN UNITS	THIRD ANGLE PROJECTION
	▽=0	mm INCH	IN/MM	5:1	INCH	
	▽7=0	4 PLACES ± --- ± ---	DRAWN BY DATE	TITLE		
		3 PLACES ± 0.38 ± .005	PGIBLIN 2005/09/02	LC CONNECTOR (BARE FIBER)		
		2 PLACES ± 0.013 ± .015	CHECKED BY DATE	molex		
	1 PLACE ± --- ± ---	APPROVED BY DATE	MATERIAL NO.	DOCUMENT NO.	SHEET NO.	
	0 PLACE ± ±		SEE TABLE	SD-1060KK-KKKO	1 OF 1	
		ANGULAR ± 1 °	THIS DRAWING CONTAINS INFORMATION THAT IS PROPRIETARY TO MOLEX INCORPORATED AND SHOULD NOT BE USED WITHOUT WRITTEN PERMISSION			
		DRAFT WHERE APPLICABLE MUST REMAIN WITHIN DIMENSIONS				