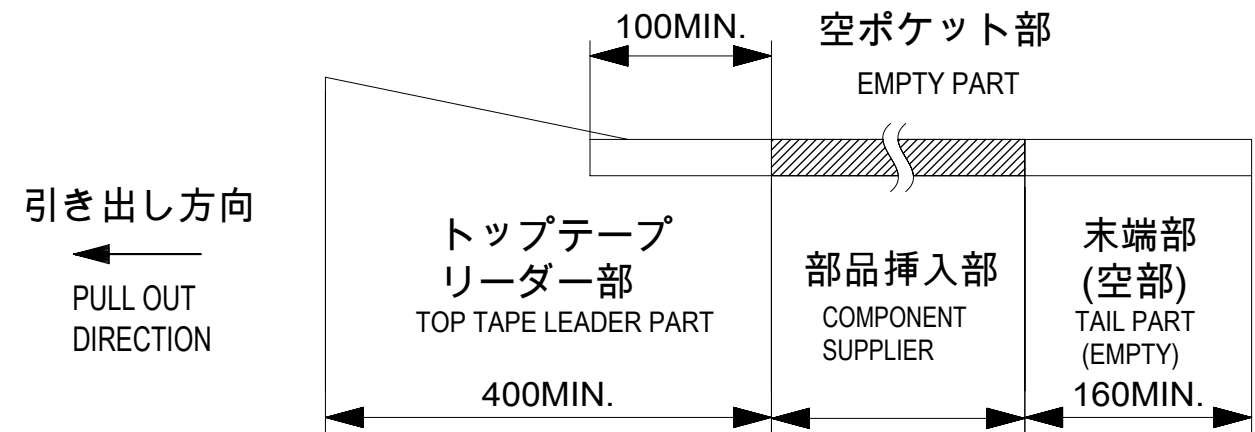


NOTES

- 梱包数量 : 3000個 / リール
NUMBER OF CONNECTORS : 3000 PCS/REEL.
- リードテープ長さ
LEAD TAPE LENGTH



- カバーテープの剥離強度については、IEC60286-3に準拠。
COVER TAPE PEEL FORCE IS DEFINED BY IEC 60286-3.

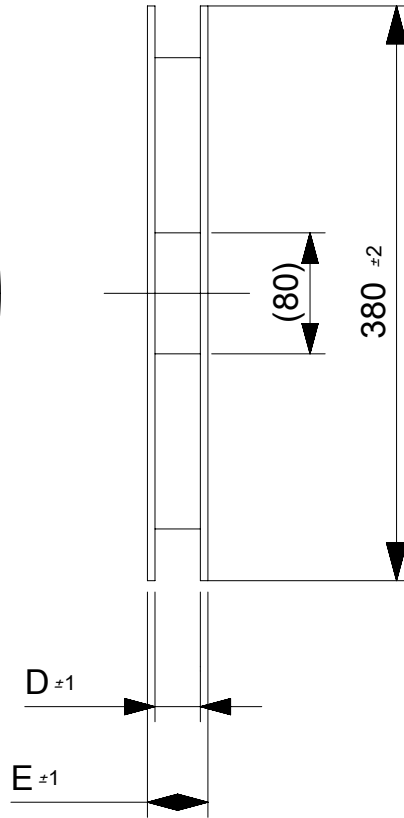
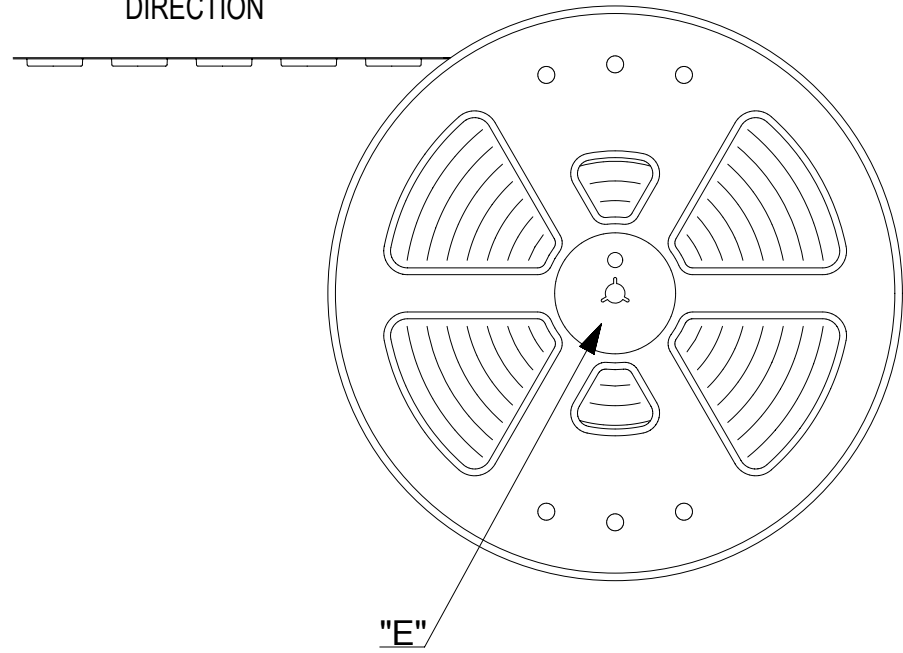
- 製品詳細寸法については、図面 5051101008を参照下さい。
FOR DIMENSIONS OF PRODUCT, REFER TO 5051101008.

- 材料 MATERIAL
キャリアテープ : ポリスチレン
CARRIER TAPE : POLYSTYRENE
トップテープ : ポリエチレンテレフタレート、ポリエチレン
TOP TAPE : POLYETHYLENE TEREPHTHALATE, POLYETHYLENE
リール : ポリスチレン<リサイクル材を含む>
REEL : POLYSTYRENE <RECYCLE MATERIAL CONTAINED >

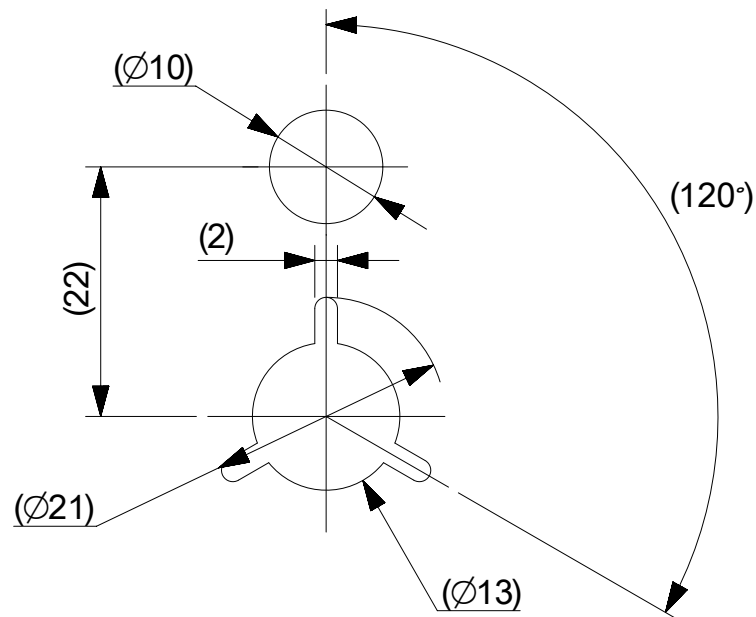
- ELV及びRoHS適合品 ELV AND RoHS COMPLIANT.

引き出し方向

PULL OUT
DIRECTION



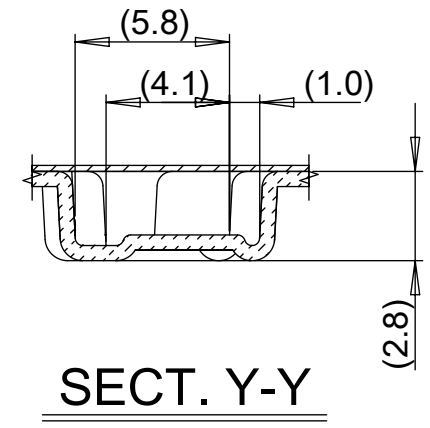
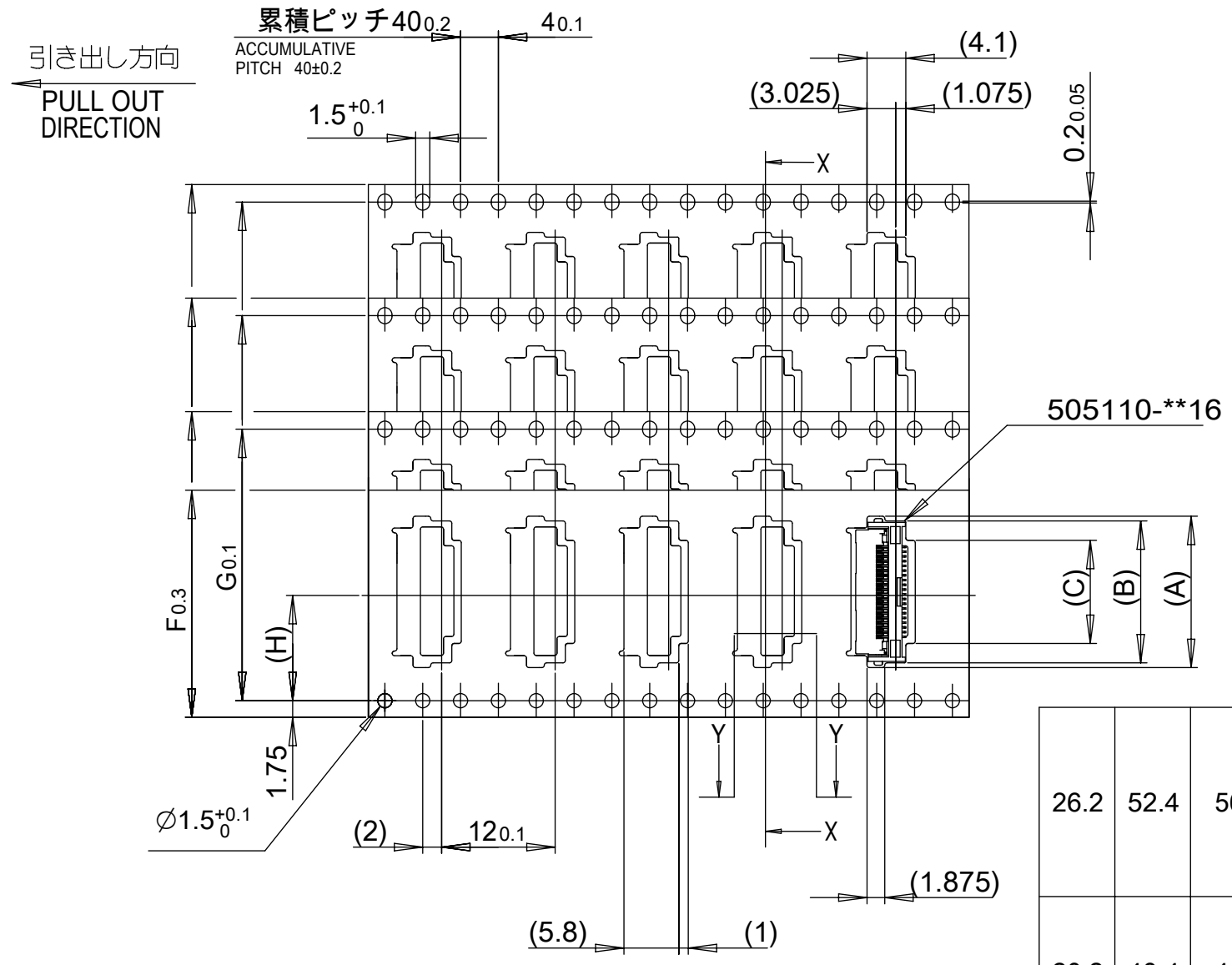
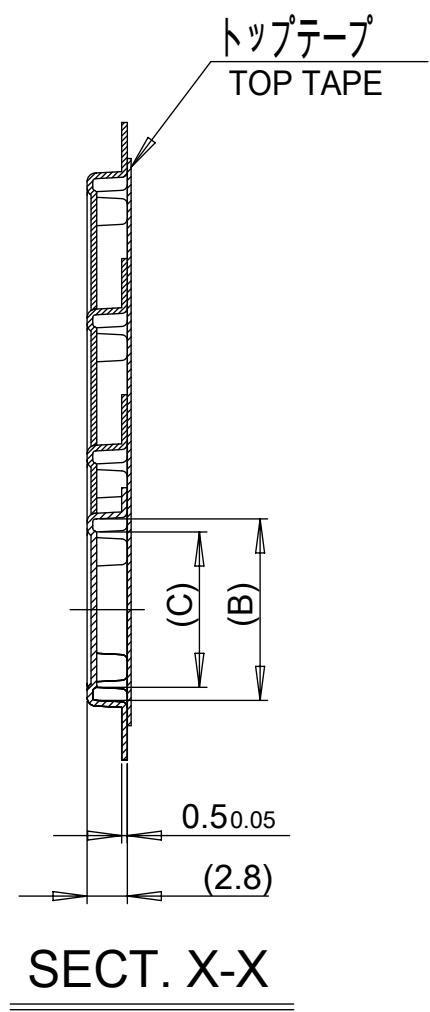
"E"



DETAIL "E"

THIS DRAWING CONTAINS INFORMATION THAT IS PROPRIETARY TO MOLEX ELECTRONIC TECHNOLOGIES, LLC AND SHOULD NOT BE USED WITHOUT WRITTEN PERMISSION

EC NO: 103203 DRWN: NKONDO CHK'D: KTAKAHASHI APPR: TKUSUHARA01	2016/02/29	2016/02/29	2016/02/29	GENERAL TOLERANCES (UNLESS SPECIFIED) ANGULAR TOL ± 1.0 ° 4 PLACES ± 0.03 3 PLACES ± 0.03 2 PLACES ± 0.05 1 PLACE ± 0.1 0 PLACES ± 0.2 DRAFT WHERE APPLICABLE MUST REMAIN WITHIN DIMENSIONS	DIMENSION UNITS	SCALE				
	RELEASED	MM	1:1							
	DRWN BY	DATE	CHK'D BY		DATE	0.5 FPC CONN ZIF E/O 2 CONT TYPE EMB PKG				
	NKONDO	2016/02/18	KTAKAHASHI		2016/02/19					
APPR BY	DATE	PRODUCT CUSTOMER DRAWING								
TKUSUHARA01	2016/02/19	SERIES	MATERIAL NUMBER	CUSTOMER	505110 SEE SHEET 2 GENERAL					
DRAWING SIZE	THIRD ANGLE PROJECTION	505110	SEE SHEET 2	GENERAL						
B	REV	A3		DOCUMENT NUMBER	DOC TYPE	DOC PART	SHEET NUMBER	5051100008 PSD 000 1 OF 2		

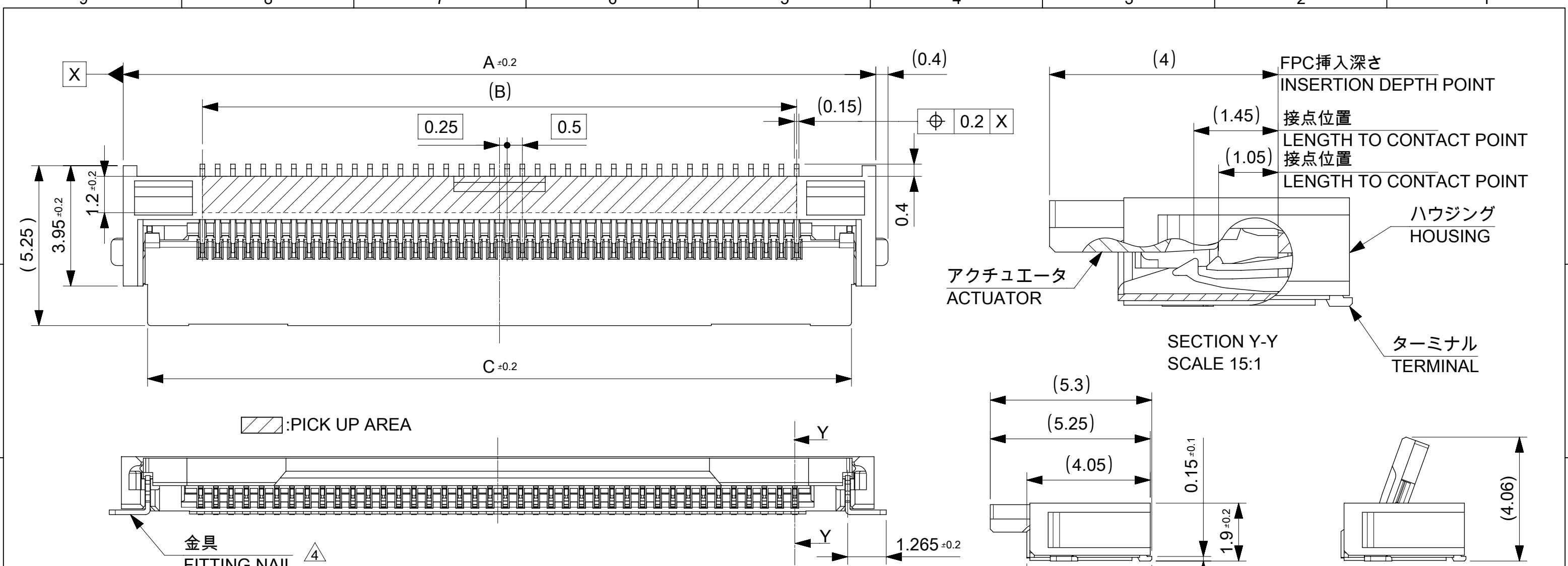


CONNECTOR SERIES NO. 505110-**-16

	H	G	F	E	D	C	B	A	EMBOSSED PACKAGE オーダー番号 ORDER NO.	Ckt
26.2	52.4	56	61.4	57.4	40.9	44.9	46	505110-8096	80	
					35.9	39.9	41	505110-7096	70	
					34.9	38.9	40	505110-6896	68	
					32.9	36.9	38	505110-6496	64	
					30.9	34.9	36	505110-6096	60	
20.2	40.4	44	49.4	45.4	25.9	29.9	31	505110-5096	50	
					23.4	27.4	28.5	505110-4596	45	
					20.9	24.9	26	505110-4096	40	
					18.4	22.4	23.5	505110-3596	35	
14.2	28.4	32	37.4	33.4	15.9	19.9	21	505110-3096	30	
					14.9	18.9	20	505110-2896	28	
					13.9	17.9	19	505110-2696	26	
					12.9	16.9	18	505110-2496	24	
					11.9	15.9	17	505110-2296	22	
11.5	---	24	29.4	25.4	10.9	14.9	16	505110-2096	20	

THIS DRAWING CONTAINS INFORMATION THAT IS PROPRIETARY TO MOLEX ELECTRONIC TECHNOLOGIES, LLC AND SHOULD NOT BE USED WITHOUT WRITTEN PERMISSION

EC NO: 103203 DRWN: NKONDO CHK'D: KTAKAHASHI APPR: TKUSUHARA01	2016/02/29 RELEASED	2016/02/29 GENERAL TOLERANCES (UNLESS SPECIFIED)	DIMENSION UNITS: MM SCALE: 1:1		
	2016/02/29 4 PLACES ± 0.03	ANGULAR TOL ± 1.0 °	DRWN BY: NKONDO DATE: 2016/02/18		0.5 FPC CONN ZIF E/O 2 CONT TYPE EMB PKG
	2016/02/29 3 PLACES ± 0.03		CHK'D BY: KTAKAHASHI DATE: 2016/02/19		
	2 PLACES ± 0.05		APPR BY: TKUSUHARA01 DATE: 2016/02/19		
	1 PLACE ± 0.1 0 PLACES ± 0.2		DRAWING SIZE: A3 THIRD ANGLE PROJECTION		
DRAFT WHERE APPLICABLE MUST REMAIN WITHIN DIMENSIONS		PRODUCT CUSTOMER DRAWING			
		DRAWING SIZE: A3	SERIES: 505110 MATERIAL NUMBER: SEE CHART CUSTOMER: GENERAL	DOCUMENT NUMBER: 5051100008 DOC TYPE: PSD DOC PART: 000 SHEET NUMBER: 2 OF 2	

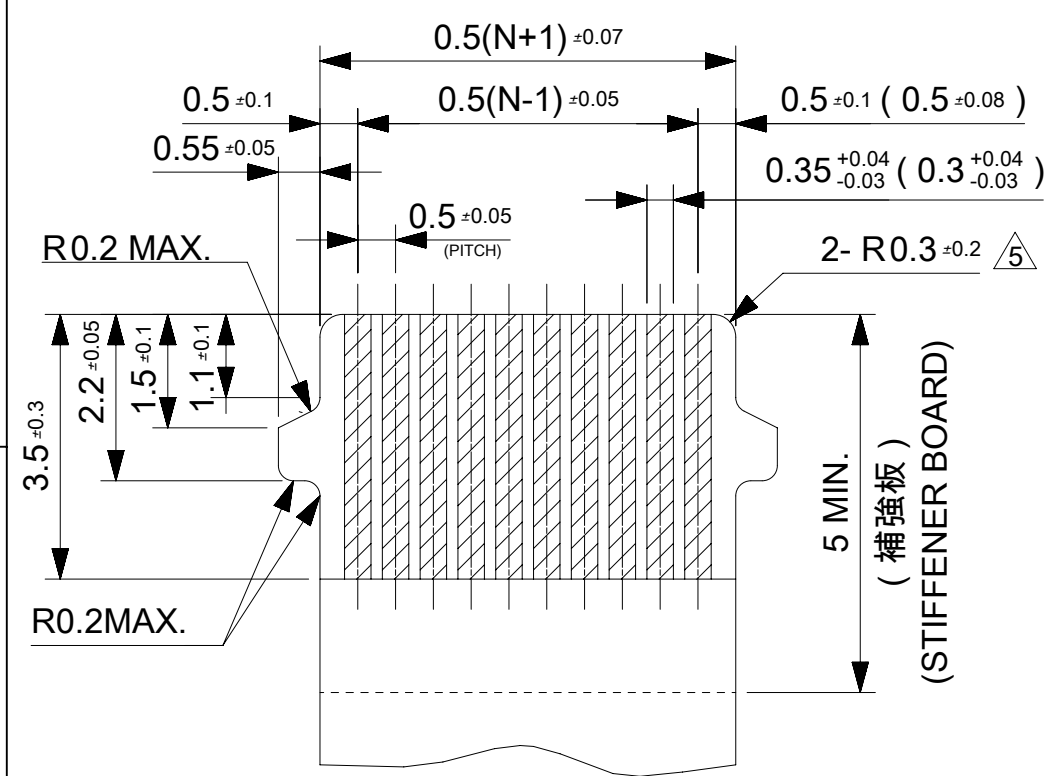


- 注記 NOTES**
1. 使用材料 MATERIAL
 ハウジング : 液晶ポリマー ガラス充填、UL94V-0(ベージュ)
 HOUSING LIQUID CRYSTAL POLYMER GLASS FILLED, UL94V-0(BEIGE)
 アクチュエータ : ポリアミド ガラス充填、UL94V-0(黒)
 ACTUATOR POLYAMIDE GLASS FILLED, UL94V-0(BLACK)
 ターミナル : 銅合金(t=0.15)
 TERMINAL COPPER ALLOY
 金具 : リン青銅(t=0.15)
 FITTING NAIL PHOSPHOR BRONZE
2. めっき仕様 PLATING
 ターミナル TERMINAL
 コンタクト部 : 部分金めっき (0.05µm以上)
 テール部 : 部分金めっき
 下地: ニッケルめっき (1.0µm以上)
 CONTACT AREA : SEPARATED GOLD PLATING (0.05 MICROMETER MIN.)
 SOLDER TAIL AREA : SEPARATED GOLD PLATING UNDERPLATE : NICKEL OVERALL (1.0 MICROMETER MIN.)
- 金具 FITTING NAIL
 錫めっき (1.0µm以上)
 下地: ニッケルめっき (1.0µm以上)
 TIN PLATING (1.0 MICROMETER MIN.)
 UNDER PLATING : NICKEL PLATING (1.0 MICROMETER MIN.)
3. インボステープ梱包時は、アクチュエータが閉じた状態とする。
 IN THE PACKAGE, ACTUATOR OF PART SHOULD BE CLOSED.

- △4 パターン剥離止め用金具
 FITTING NAIL FOR PREVENTION OF PEELING OF P.C.B. PATTERN.
- △5 R0.3はFPC導体部にかからないこと。
 R0.3 MUST NOT BE OVERLAPPED TO PATTERN OF FPC.
6. N: 極数 N: CIRCUIT.
7. ELV及びRoHS適合品
 ELV AND RoHS COMPLIANT
8. テールと金具を併せた平坦度は0.1mm以下とする。
 TAILS AND NAILS COPLANALITY TO BE 0.1mm MAX.

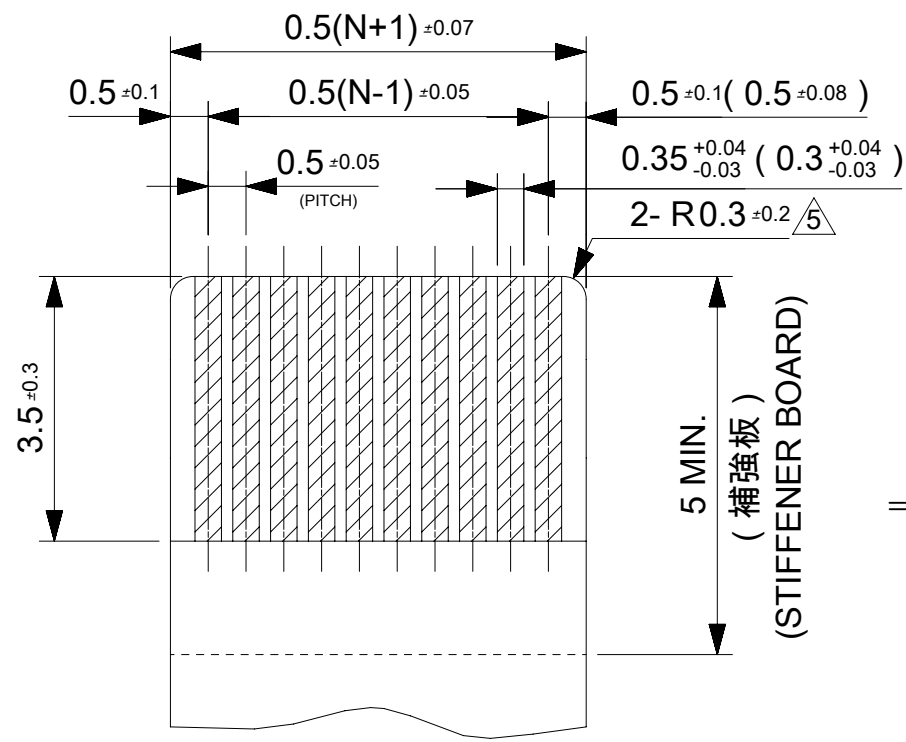
THIS DRAWING CONTAINS INFORMATION THAT IS PROPRIETARY TO MOLEX ELECTRONIC TECHNOLOGIES, LLC AND SHOULD NOT BE USED WITHOUT WRITTEN PERMISSION

REVISED	2017/06/09	2017/06/12	2017/06/12	GENERAL TOLERANCES (UNLESS SPECIFIED)	DIMENSION UNITS	SCALE				
	DRWN: JASANUMA	CHK'D: YKOBAYASHI02	APPR: TKUSUHARA01		MM					
	4 PLACES	± 0.03			DRWN BY	DATE				
	3 PLACES	± 0.03			NKONDO	2016/02/18				
				3 PLACES	± 0.03		CHK'D BY	DATE		
				2 PLACES	± 0.05		KTAKAHASHI	2016/02/29		
				1 PLACE	± 0.1		APPR BY	DATE		
				0 PLACES	± 0.2		TKUSUHARA01	2016/02/19		
				DRAFT WHERE APPLICABLE MUST REMAIN WITHIN DIMENSIONS	DRAWING SIZE	THIRD ANGLE PROJECTION	PRODUCT CUSTOMER DRAWING			
					A3		SERIES	MATERIAL NUMBER	CUSTOMER	
							505110	SEE SHEET 3	GENERAL	
							DOCUMENT NUMBER	DOC TYPE	DOC PART	SHEET NUMBER
							5051101008	PSD	000	1 OF 3



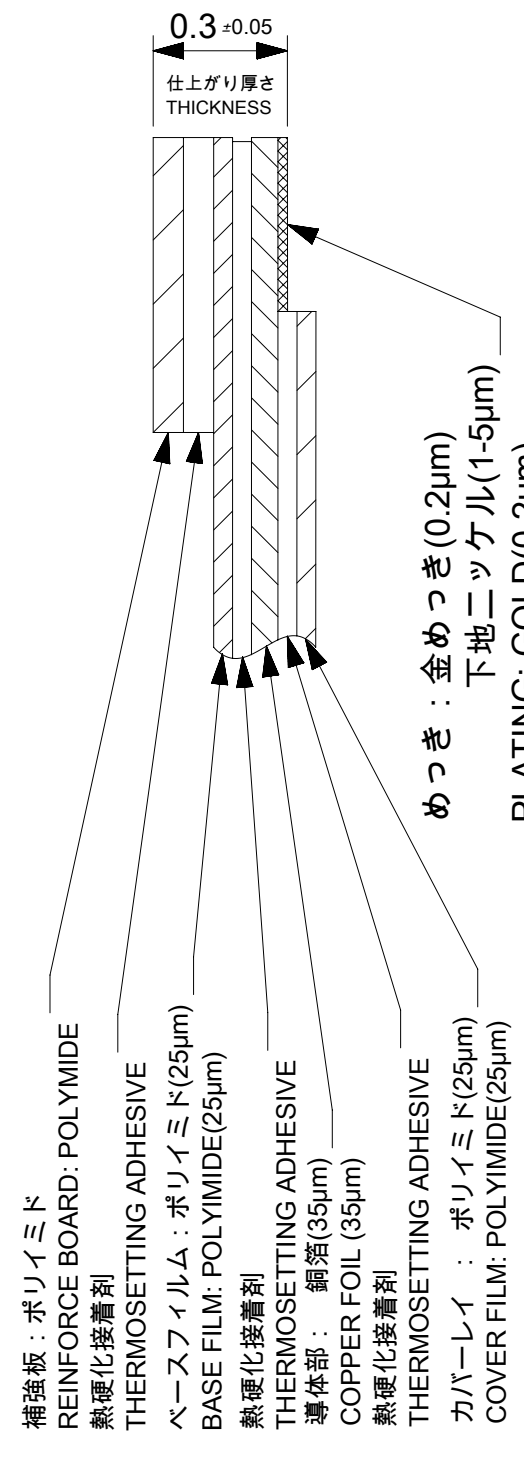
適合FPC/FFC推奨寸法
APPLICABLE FPC/FFC
RECOMMENDED DIMENSION

(): FFCに適用
(): APPLY TO FFC



耳無し適合FPC/FFC推奨寸法
APPLICABLE NON-TAB FPC/FFC
RECOMMENDED DIMENSION

(): FFCに適用
(): APPLY TO FFC



FPC構成推奨仕様
STRUCTURE OF FPC

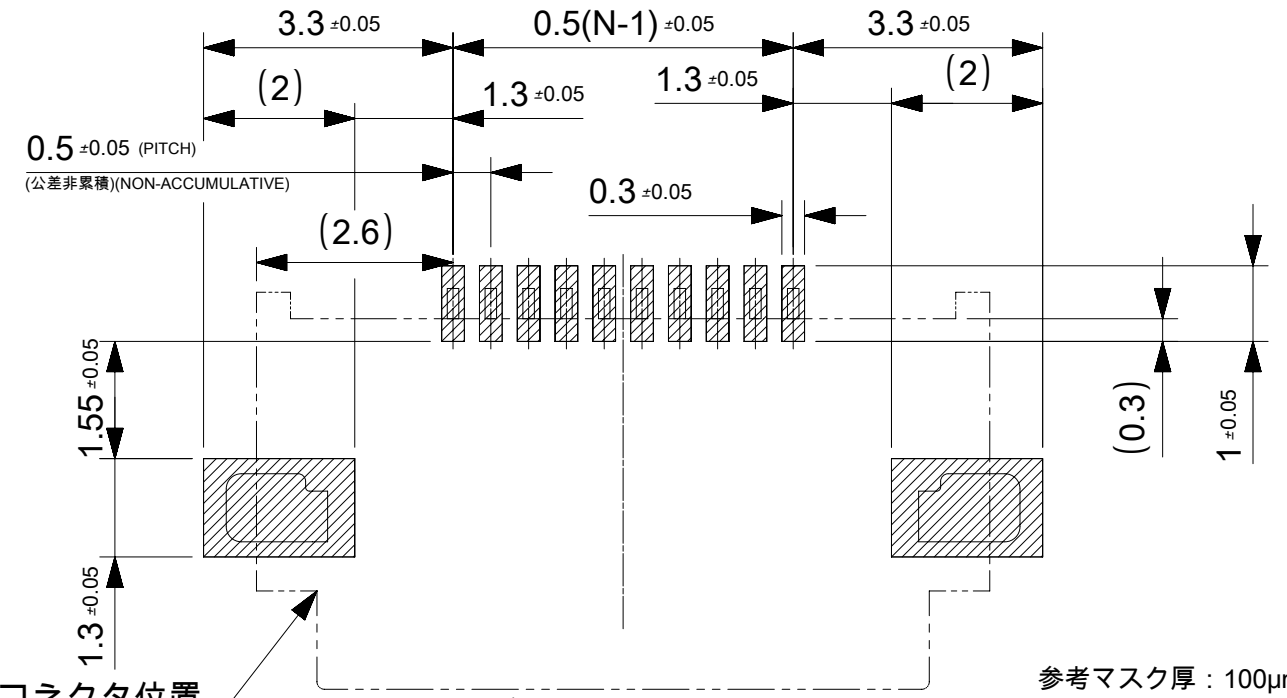
FPC/FFCについて ABOUT FFC

打ち抜き方向は導体側から補強板側を推奨します。
導体部については軟箔銅35µmまたは50µmを推奨します。
FFCに規定された定格温度がFFC単体前提である場合が御座います。
コネクタと組み合わせての実使用において、接着層が劣化するなどの信頼性を満足できないケースを回避するため、
実機での評価/確認をお願いいたします。

- RECOMMENDED PUNCHING DIRECTION : FROM CONDUCTOR SIDE TO STIFFENER SIDE
- RECOMMENDED CONDUCTOR SPEC : SOFT COPPER FOIL
- RECOMMENDED CONDUCTOR THICKNESS : 35 MICROMETER OR 50 MICROMETER
- NOTE: WHEN ACTUALLY USING IT WITH CONNECTOR, PLEASE DO THE EVALUATION AND THE CONFIRMATION WITH AN ACTUAL EQUIPMENT TO EVADE THE CASE WHERE RELIABILITY CANNOT BE FILLED (THE ADHESIVE LINE OF FFC IS DETERIORATED ETC.)

FPCについて ABOUT FPC

補強フィルム材質はポリイミドを推奨します。ベースフィルムは25µmを推奨します。
接着剤は熱硬化接着剤を推奨します。
尚、接着剤の接点部への付着は導通不良の原因になりますので、染み出しが無い様お願い致します。
RECOMMENDED MATERIAL/THICKNESS.
RECOMMENDED STIFFENER MATERIAL: POLYIMIDE
RECOMMENDED BASE FILM THICKNESS: 25 MICROMETER
RECOMMENDED ADHESIVE: THERMOSETTING ADHESIVE
NOTE: PLEASE PUT APPROPRIATE AMOUNT OF ADHESIVE ON ADHEREND BECAUSE THERE IS A POSSIBILITY THAT THE EXTRA ADHESIVE CAUSES THE DEFECT IN ELECTRICAL CONTINUITY.
THERE IS A POSSIBILITY THAT THE PRESCRIPT TEMPERATURE OF FFC IS SET TO SINGLE IT.



コネクタ位置
(CONNECTOR POSITION)

推奨基板レイアウト
RECOMMENDED P.W.B.
PATTERN LAYOUT

参考マスク厚: 100µm
参考マスク開口率: 100%
REFERENCE SCREEN THICKNESS: 100µm
REFERENCE SCREEN OPEN RATIO: 100%

THIS DRAWING CONTAINS INFORMATION THAT IS PROPRIETARY TO MOLEX ELECTRONIC TECHNOLOGIES, LLC AND SHOULD NOT BE USED WITHOUT WRITTEN PERMISSION

REVISED	EC NO: 117930	GENERAL TOLERANCES (UNLESS SPECIFIED)	DIMENSION UNITS	SCALE				
	DRWN: JASANUMA	ANGULAR TOL ± 1.0 °	MM					
	CHK'D: YKOBAYASHI02	4 PLACES ± 0.03	DRWN BY	DATE				
	APPR: TKUSUHARA01	3 PLACES ± 0.03	NKONDO	2016/02/18				
		2 PLACES ± 0.05	CHK'D BY	DATE	0.5 FPC CONN ZIF E/O 2 CONTACT TYPE			
		1 PLACE ± 0.1	KTAKAHASHI	2016/02/29				
		0 PLACES ± 0.2	APPR BY	DATE	PRODUCT CUSTOMER DRAWING			
			TKUSUHARA01	2016/02/19				
		DRAFT WHERE APPLICABLE MUST REMAIN WITHIN DIMENSIONS	DRAWING SIZE	THIRD ANGLE PROJECTION	SERIES	MATERIAL NUMBER	CUSTOMER	
			A3		505110	SEE SHEET 3	GENERAL	
					DOCUMENT NUMBER	DOC TYPE	DOC PART	SHEET NUMBER
					5051101008	PSD	000	2 OF 3

9 8 7 6 5 4 3 2 1

E

E

D

D

C

C

B

B


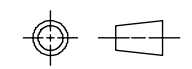
A

A

CONNECTOR SERIES NO. 505110-**16

43.1	39.5	44.7	505110-8096	80
38.1	34.5	39.7	505110-7096	70
37.1	33.5	38.7	505110-6896	68
35.1	31.5	36.7	505110-6496	64
33.1	29.5	34.7	505110-6096	60
28.1	24.5	29.7	505110-5096	50
25.6	22.0	27.2	505110-4596	45
23.1	19.5	24.7	505110-4096	40
20.6	17	22.2	505110-3596	35
18.1	14.5	19.7	505110-3096	30
17.1	13.5	18.7	505110-2896	28
16.1	12.5	17.7	505110-2696	26
15.1	11.5	16.7	505110-2496	24
14.1	10.5	15.7	505110-2296	22
13.1	9.5	14.7	505110-2096	20
C	B	A	EMBOSSED PACKAGE オーダー番号 ORDER NO.	Ckt

THIS DRAWING CONTAINS INFORMATION THAT IS PROPRIETARY TO MOLEX ELECTRONIC TECHNOLOGIES, LLC AND SHOULD NOT BE USED WITHOUT WRITTEN PERMISSION

REVISED EC NO: 117930 DRWN: JASANUMA CHK'D: YKOBAYASHI02 APPR: TKUSUHARA01	2017/06/09	2017/06/12	2017/06/12	GENERAL TOLERANCES (UNLESS SPECIFIED) ANGULAR TOL ± 1.0 ° 4 PLACES ± 0.03 3 PLACES ± 0.03 2 PLACES ± 0.05 1 PLACE ± 0.1 0 PLACES ± 0.2 DRAFT WHERE APPLICABLE MUST REMAIN WITHIN DIMENSIONS	DIMENSION UNITS	SCALE	 0.5 FPC CONN ZIF E/O 2 CONTACT TYPE PRODUCT CUSTOMER DRAWING
					MM		
					DRWN BY	DATE	
					NKONDO	2016/02/18	
					CHK'D BY	DATE	
					KTAKAHASHI	2016/02/29	
			APPR BY	DATE			
			TKUSUHARA01	2016/02/19			
			DRAWING SIZE	THIRD ANGLE PROJECTION			
			A3				
			SERIES	MATERIAL NUMBER	CUSTOMER		
			505110	SEE CHART	GENERAL		
			DOCUMENT NUMBER	DOC TYPE	DOC PART	SHEET NUMBER	
			5051101008	PSD	000	3 OF 3	

RELEASE STATUS	P1	RELEASE DATE	12.06.2017	07:07:25
----------------	----	--------------	------------	----------

9 8 7 6 5 4 3 2 1

FORMAT: master-ib-prod-A3
REVISION: 5
DATE: 2017/02/06